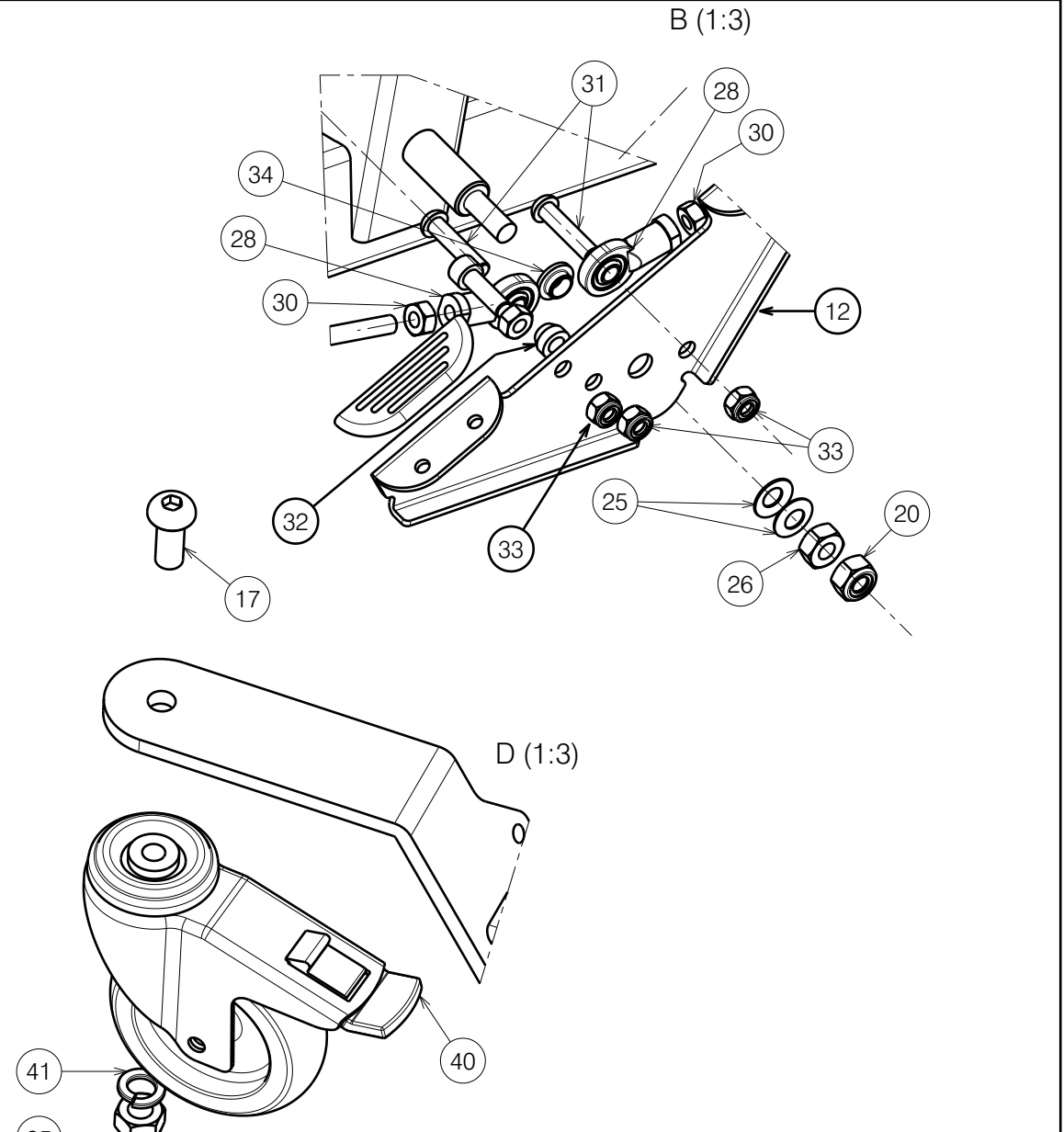
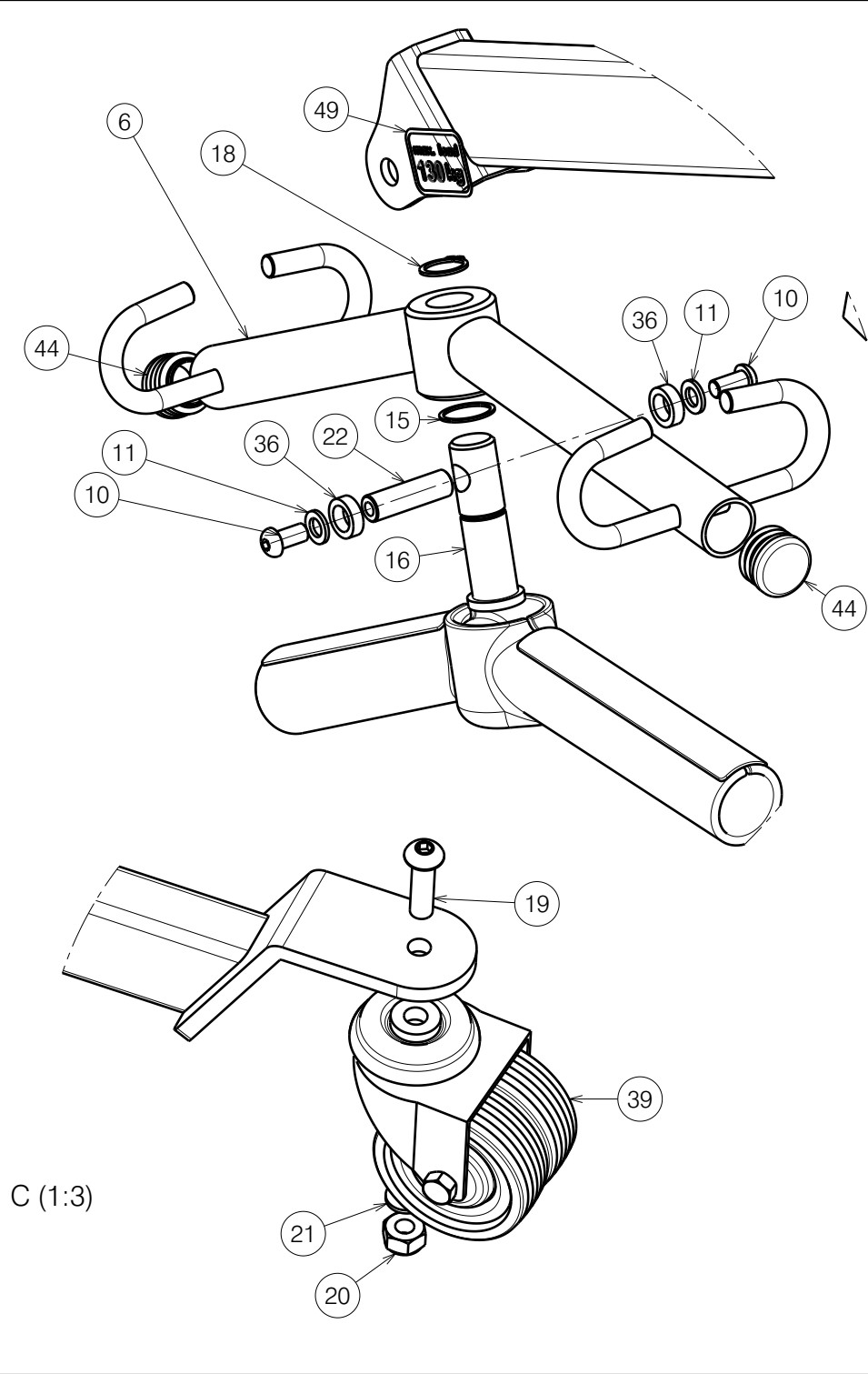


NOTICE: THE INFORMATION CONTAINED ON THIS DRAWING IS PROPRIETARY TO VERMEIREN GROUP AND SHALL NOT BE DISCLOSED IN WHOLE OR IN PART, OR USED FOR ANY DESIGN OR MANUFACTURE, EXCEPT WHEN SUCH USER POSSESSES DIRECT WRITTEN AUTHORISATION FROM VERMEIREN GROUP.

Sheet 1/4 8003207

PATIENT HOIST FALCON			
Scale: 1:13	Drafted	Verified	Confirmed
Date	10/08/2022	03/04/2024	03/04/2024
Initials	MK	TT	PJ

Plan No.
E00042257/D1.1



NOTICE: THE INFORMATION CONTAINED ON THIS DRAWING IS PROPRIETARY TO VERMEIREN GROUP AND SHALL NOT BE DISCLOSED IN WHOLE OR IN PART, OR USED FOR ANY DESIGN OR MANUFACTURE, EXCEPT WHEN SUCH USER POSSESSES DIRECT WRITTEN AUTHORISATION FROM VERMEIREN GROUP.

Sheet 2/4 8003207

PATIENT HOIST FALCON				Plan No.
				E00042257/D1.1
Scale: 1:1	Drafted	Verified	Confirmed	
Date	10/08/2022	03/04/2024	03/04/2024	
Initials	MK	TT	PJ	

No.	Plan	Article	Qty				
1	P00036542	2657806	1	25	Saucer spring	12296	2
2	P00038162	2657706	1	26	Nut M10 DIN934	1001672	1
3	P00041195	2658106	1	27	X004408	1711500	2
4	P00041503	2658206	1	28	Knee joint M8	1006835	4
5	P00041510	2658306	1	29	M8x40	1008739	2
6	P00038178	2658406	1	30	Nut M8 DIN934	1001671	4
7	P00041119	1918901	1	31	1993236	1993236	2
8	P00040355	GP28200	1	32	P00074772	2098400	4
9	M10x16	1903370	2	33	X001016	1001682	5
10	1991858	1991858	2	34	XP01931	2993584	1
11	Washer M8 DIN125B	1001556	2	35	Nut M12 DIN985	1001684	2
12	P0078077	2098654	1	36	XP03232	GP26300	2
13	Sterknop M8	1001580	1	37	P00042258	1918904	1
14	1001558	1001558	2	38	P00042263	1918902	1
15	Y016681	F006290	1	39	Wheel D75x50	1902764	2
16	P00041505	GP28100	1	40	Wheel D100x32	1001252	2
17	M12x30	2995568	2	41	M12 spring washer	1001572	2
18	Retaining ring DIN471	1904807	1	42	P00078081	G105100	2
19	M10x35	1009442	2	43	M6x70 DIN6912	1902583	2
20	Nut M10	1001683	3	44	Tube plug D28mm	1001606	2
21	Washer M10 DIN127	1001566	2	45	P00042269	2658800	2
22	X004123	1692600	1	46	X004580	1904798	2
23	Pen D10x50	1998885	2	47	P00042842	2995611	1
24	M10x80 ISO7380	2992474	2	48	P00042843	2995610	1
				49	STICKER MAX. LOAD 130kg	2995632	2
				50	STICKER LOGO FALCON	T001194	2
				51	STICKER LOGO VERMEIREN	T001002	2
				52	M10 DIN439B	1903216	2

Sheet 3/4

-

Plan No.
E00042257/D1.1


PATIENT HOIST FALCON			
Scale: 1:1	Drafted	Verified	Confirmed
Date	210/08/2022	03/04/2024	03/04/2024
Initials	MK	TT	PJ



Slings - Not depicted

No.	Plan	Article	Qty
	Comfort Net L	1905480	1
	Comfort Net M	1905479	1
	Comfort Net XL	1905481	1
	Comfort PE L	1905251	1
	Comfort PE M	1905359	1
	Comfort PE XL	1905360	1
	Hyg. Net L	1905483	1
	Hyg. Net M	1905482	1
	Hyg. Net XL	1905484	1
	Hyg. PE L	1905250	1
	Hyg. PE M	1905357	1
	Hyg. PE XL	1905358	1
	Reg. Net L	1905476	1
	Reg. Net M	1905475	1
	Reg. Net XL	1905477	1
	Reg. PE L	1903823	1
	Reg. PE M	1903824	1
	Reg. PE XL	1905478	1

Sheet 4/4 8003207

PATIENT HOIST FALCON				Plan No. E00042257/D1.1
Scale: 1:1	Drafted	Verified	Confirmed	
Date	10/08/2022	03/04/2024	03/04/2024	
Initials	MK	TT	PJ	