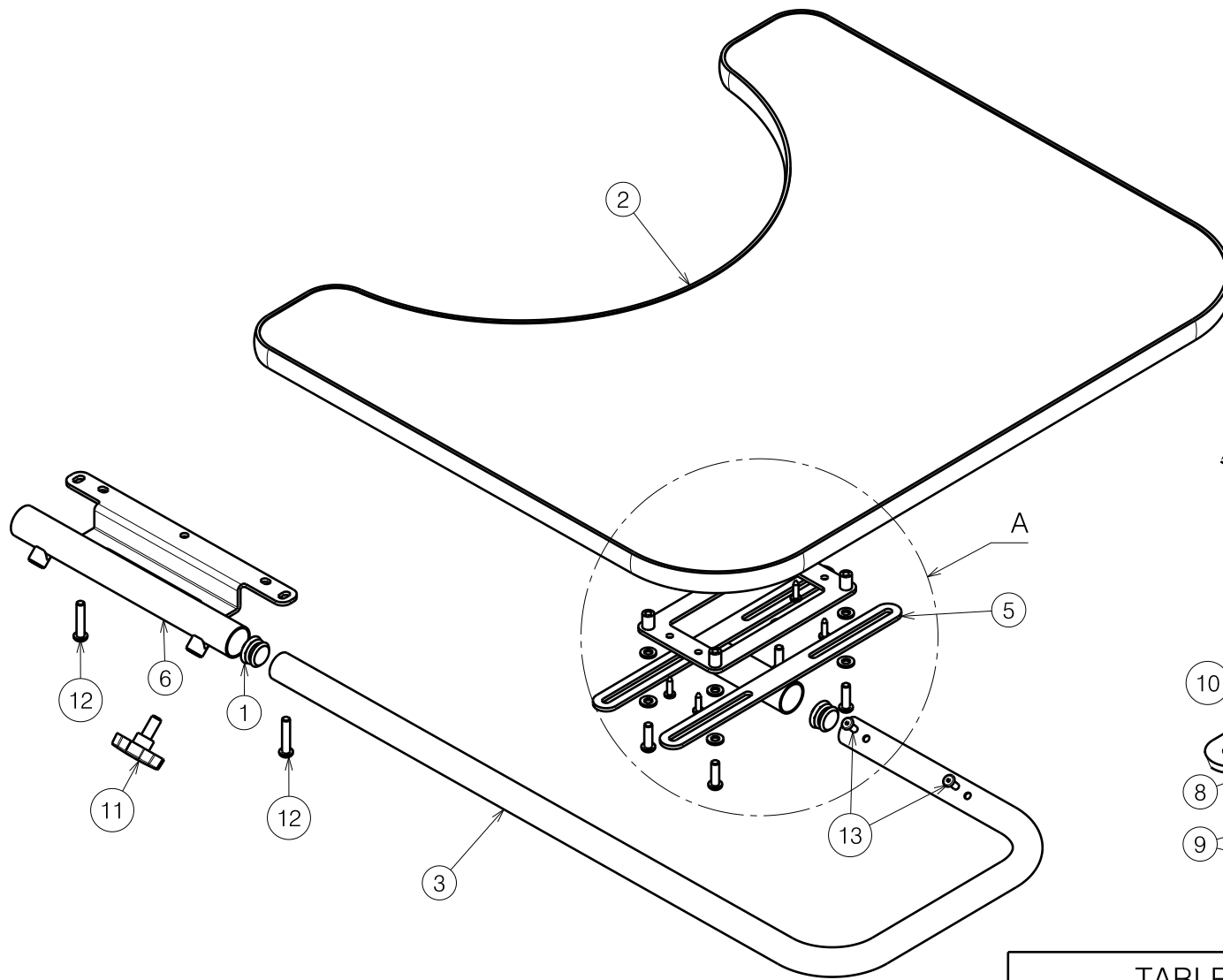
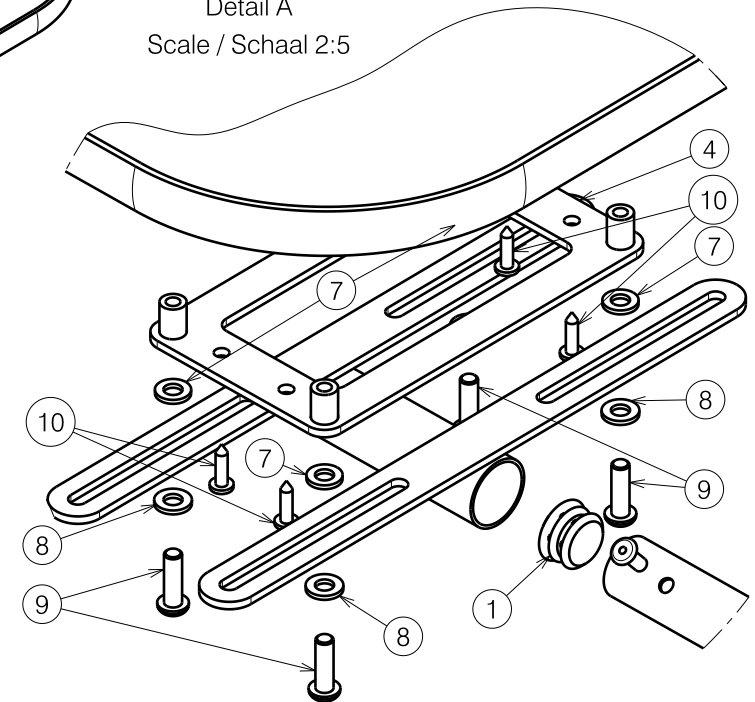


Material / Materiaal			
No. / Nr.	Plan	Article / Artikel	Quantity / Aantal
1	X001101	1001605	2
2	X003883	1901986 (40)	1
	X003884	1901987 (45-50)	1
3	Y002759	1217101	1
4	Y011781	1678400	1
5	Y011782	1678501	1
6	Y019321	1785254	1
7	---	1000973	4
8	---	1001564	4
9	---	1006999	4
10	---	1003021	4
11	---	2990024	1
12	---	1009588	2
13	---	1001585	2



Detail A
Scale / Schaal 2:5



E000406 / D

TABLE B12-B13 TYPE INOVYS TAFEL B12-B13 TYPE INOVYS				Plan No. / Plannr.
				E000406 / D
Scale / Schaal: 1:5	Drafted / Getekend	Verified / Nagezien	Confirmed / Bevestigd	
Date / Datum	06/11/2007	15/04/2013	15/04/2013	
Init. / Init.	SD	TT	PJ	