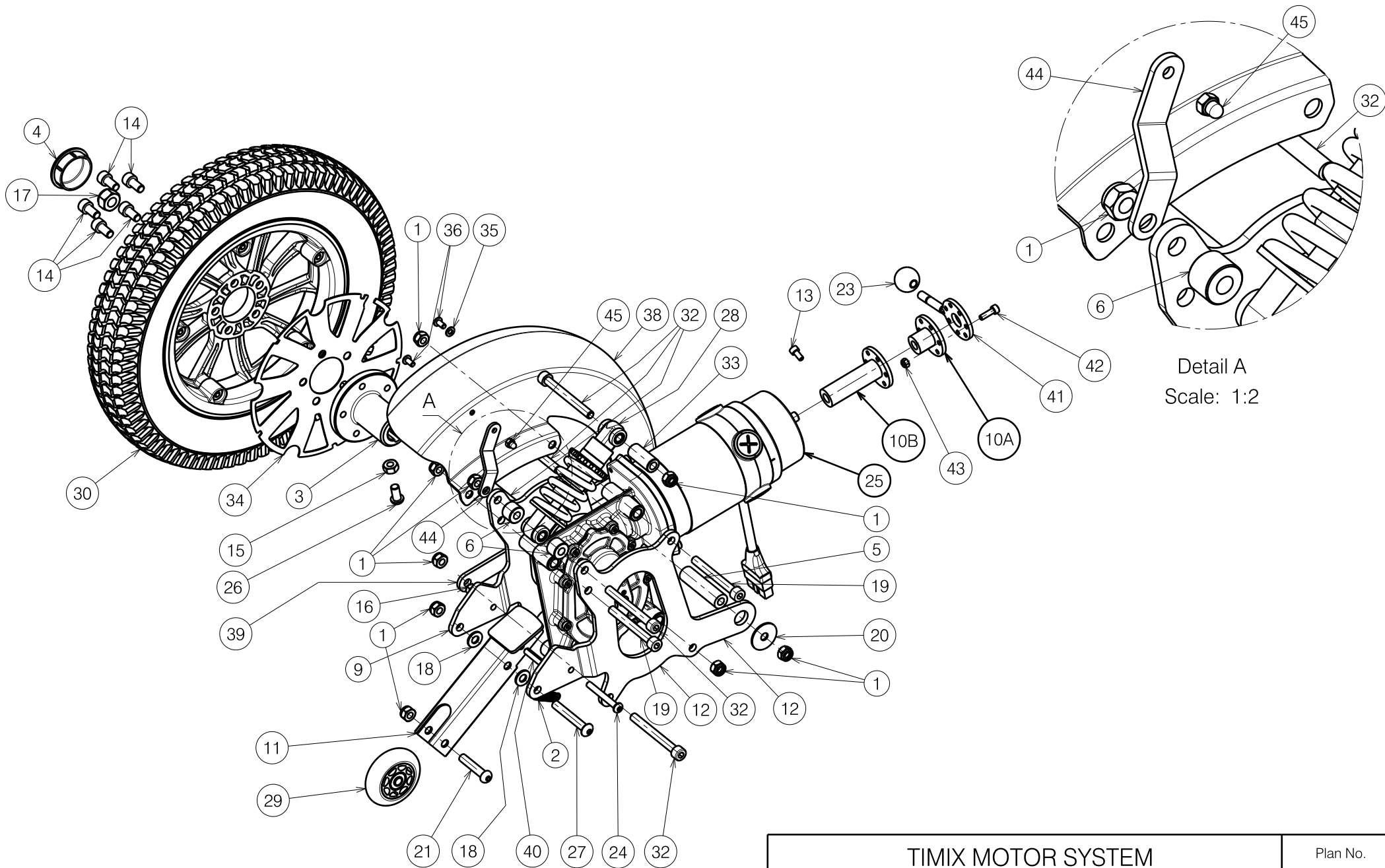


E000824 / P

<b>TIMIX MOTOR SYSTEM</b> Sheet 1/3 - Left hand side				Plan No. E000824 / P
Scale: 1:5	Drafted	Verified	Confirmed	
Date	27/06/2012	31/03/2021	31/03/2021	
Initials	JG	SD	PJ	



Detail A  
Scale: 1:2

E000824 / P

<b>TIMIX MOTOR SYSTEM</b> Sheet 2/3 - Right hand side				Plan No. E000824 / P
Scale: 1:5	Drafted	Verified	Confirmed	
Date	27/06/2012	31/03/2021	31/03/2021	
Initials	JG	SD	PJ	


Material			
No.	Plan	Article	Quantity
1	X001016	1001682	18
2	X001134	1004610	2
3	X005809	2050004	2
4	X005083	1908680	2
5	X004956	1772600	2
6	X004958	1908259	4
9	Y017896	1769254	2
10A	Y017980	1773554	2
10B	Y019795	1787554	2
11	Y018413	1773754	2
12	Y018475	1773654	2
13	M5x10 DIN912	1001488	2
14	M8x16 DIN912	1915411	10
15	M8 DIN934	1001671	2
16	M6 DIN985	1001680	2
17	M12x1.5 DIN985	1993736	2
18	M8 DIN125	1003199	4
19	M8x70 DIN912	1005289	4
20	Ø24x30 M8	1005900	4
21	M8x40 ISO7380	1008739	2
22	6 km/h - 220W	1916563	1
	10 km/h - 350W	1904170	1
	14 km/h - 550W	1916470	1
23	Ø25 - M8	1006063	2
24	M6x50 ISO7380	1006997	2
25	6 km/h - 220W	1916564	1
	10 km/h - 350W	1904171	1
	14 km/h - 550W	1916471	1

(10A) for 6 km/h - 14 km/h

(10B) for 10 km/h

E000824 / P

Material			
No.	Plan	Article	Quantity
26	M8x16 ISO7380	1991858	2
27	M8x55 ISO7380	1995854	2
28	---	1999843	2
29	---	1999844	2
30	Grey Block	1915153	2
	Black Block	1915154	2
	Black Line Le.	1915155	1
	Black Line Ri.	1915156	1
	Black R-fill Block	1915157	2
32	M8x75 DIN912	1992973	10
33	X005062	1908531	2
34	Y023085	20529..	2
35	M5 DIN125	1000972	2
36	M5x10 ISO7380	1007063	4
37	X005070	1908557	1
38	X005071	1908558	1
39	Y019215	1779954	2
40	---	1905974	2
41	Y019873	1787454	2
42	M5x16 DIN912	1007198	2
43	M5 DIN985	1001679	2
44	Y020432	1797354	2
45	M5 DIN986	1992804	2

TIMIX MOTOR SYSTEM				Plan No.
Sheet 3/3 - BOM				E000824 / P
Scale: 1:5	Drafted	Verified	Confirmed	
Date	27/06/2012	31/03/2021	31/03/2021	
Initials	JG	SD	PJ	