
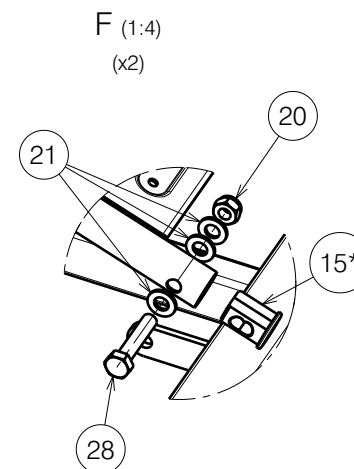
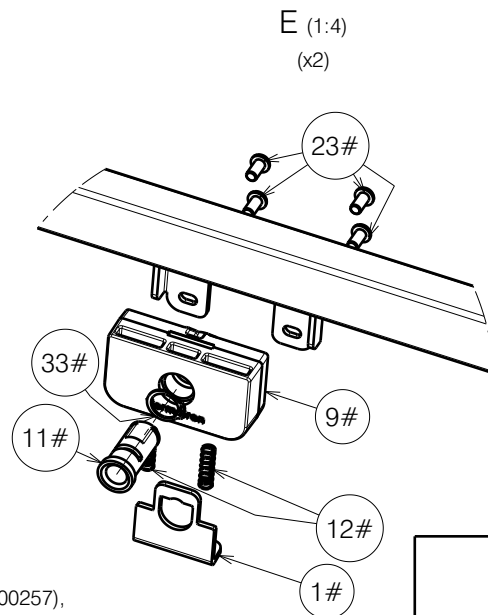
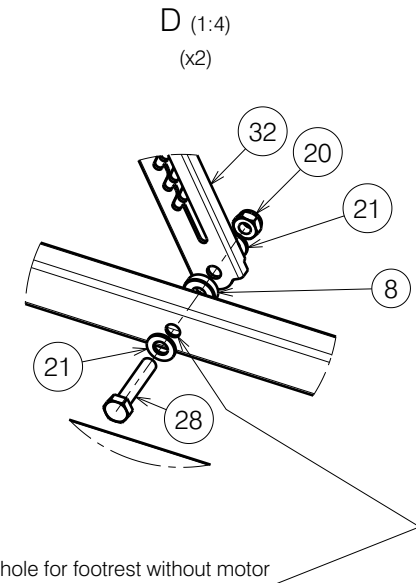
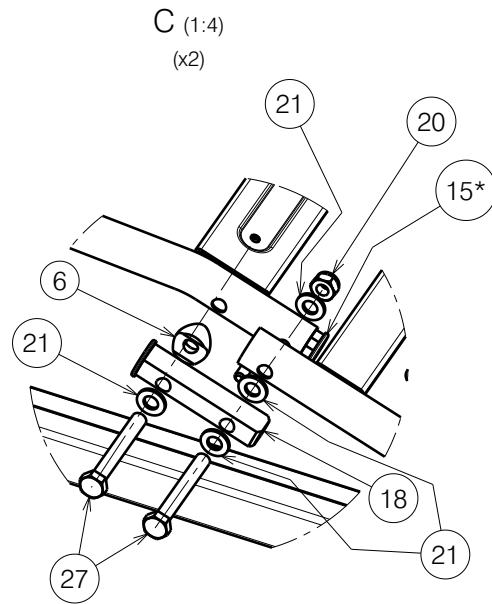


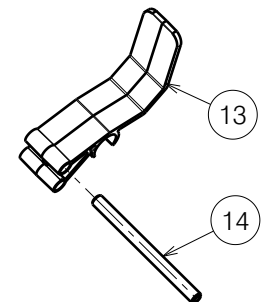
EP00277 / L

<p>FOOTSIDE FRAME WITH METAL LATHS WITHOUT MOTOR / ILLICO 1/2</p>				Plan No.
				EP00277 / L
Scale: 1:8	Drafted	Verified	Confirmed	
Date	11/01/2018	06/05/2024	06/05/2024	
Initials	AZ	PM	AZ	

Material / Footside frame without motor			
No.	Plan	Article	Quantity
1#	YP08882	2629303	2
2	YP06217 / Right	2795303	1
3	YP05897 DP	27851	1
4	YP06174	27948	1
5	YP06175	27949	1
6	XP01997	2993909	2
7	X004563	1904874	2
8	X004967	1908262	2
9#	XP01795	2993539	2
10	D5,3 DIN 125	1000972	4
11#	XP02992	GP22400	2
12#	XP01899	GP12700	4
13	XP01906	2993600	2
14	XP01912	2993607	2
15	XP02064	2993688	2
15*	XP01916	2993701	2
16	Nut M5 DIN 986	1992804	2
17	XP01954	2993706	2
18	XP01975	GP13500	2
19	Nut M6 DIN 985	1001680	2
20	Nut M8 DIN 985	1001682	10
21	D8,4 DIN 125	1003199	26
22	M6x20	1006999	2
23#	M6x12	1007000	8
24	XP02329	2994246	1
25	M8x20	1992349	2
26	M5x40	2993786	2
27	M8x60 DIN 931	2993704	4
28	M8x40 DIN 931	2993705	4
29	Tube Cap 30x20	1997922	2
30	Tube Cap 20 x20	1001612	2
31	Wheel D29	2993761	2
32	Rastomat	1909002	2
33#	DIN 471 15,7-1mm	2993606	2
34	YP06216 / Left	2784803	1
35	SterKnop M8x20	2993800	2
36	Nylon rivet	1990752	2
37	Cup Rubber 8mm	1001637	2



Mattress holder - way of assembly



*- Milled part, use only if 15 is unavailable.
- Use only with metal side rails (EP00256 & EP00257),
Do not use with wooden bars (EP00280) and SSR (EP00493).

EP00277 / L

FOOTSIDE FRAME WITH METAL LATHS WITHOUT MOTOR / ILLICO 2/2				Plan No.
				EP00277 / L
Scale: 1:8	Drafted	Verified	Confirmed	
Date	11/01/2018	06/05/2024	06/05/2024	
Initials	AZ	PM	AZ	