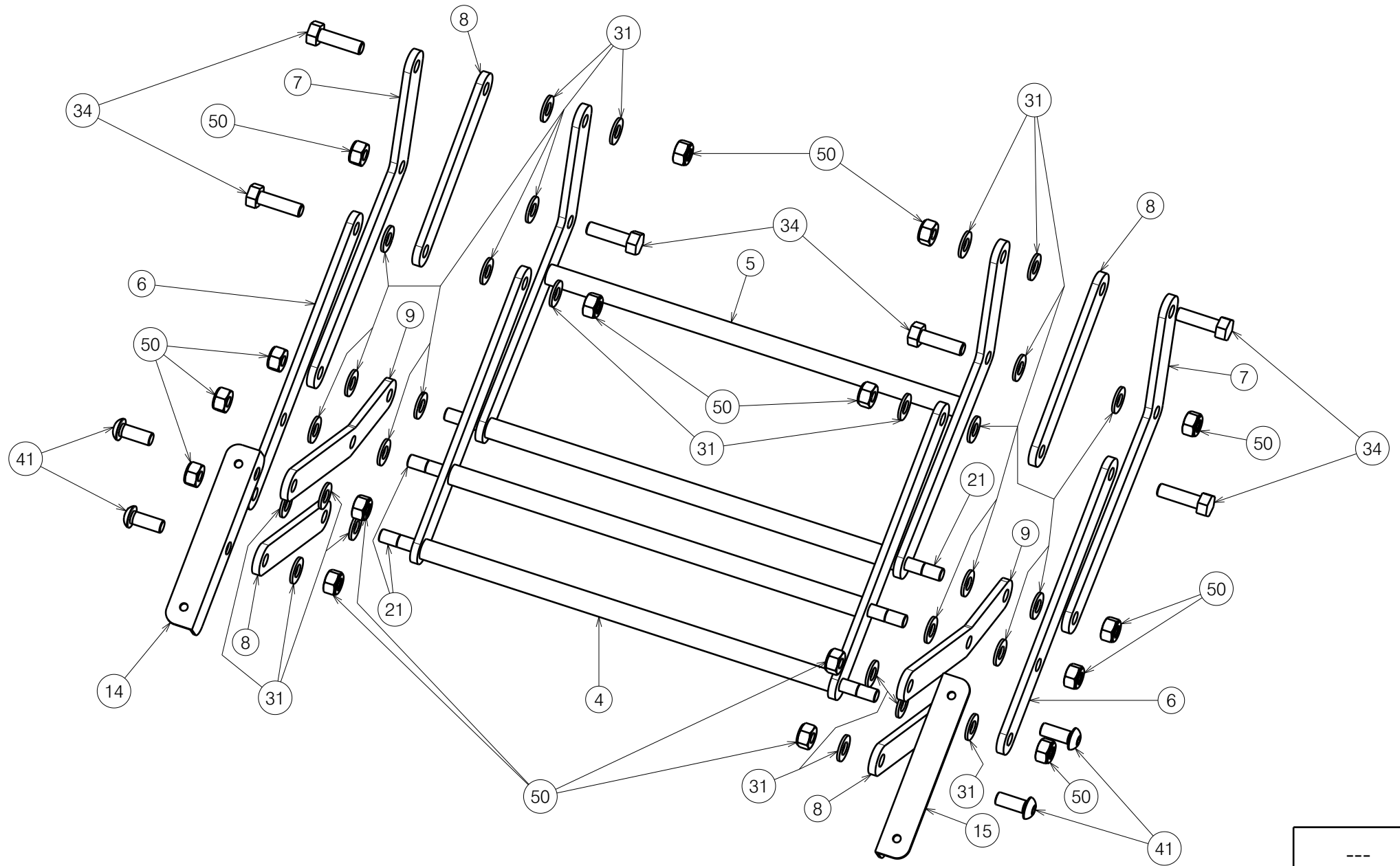


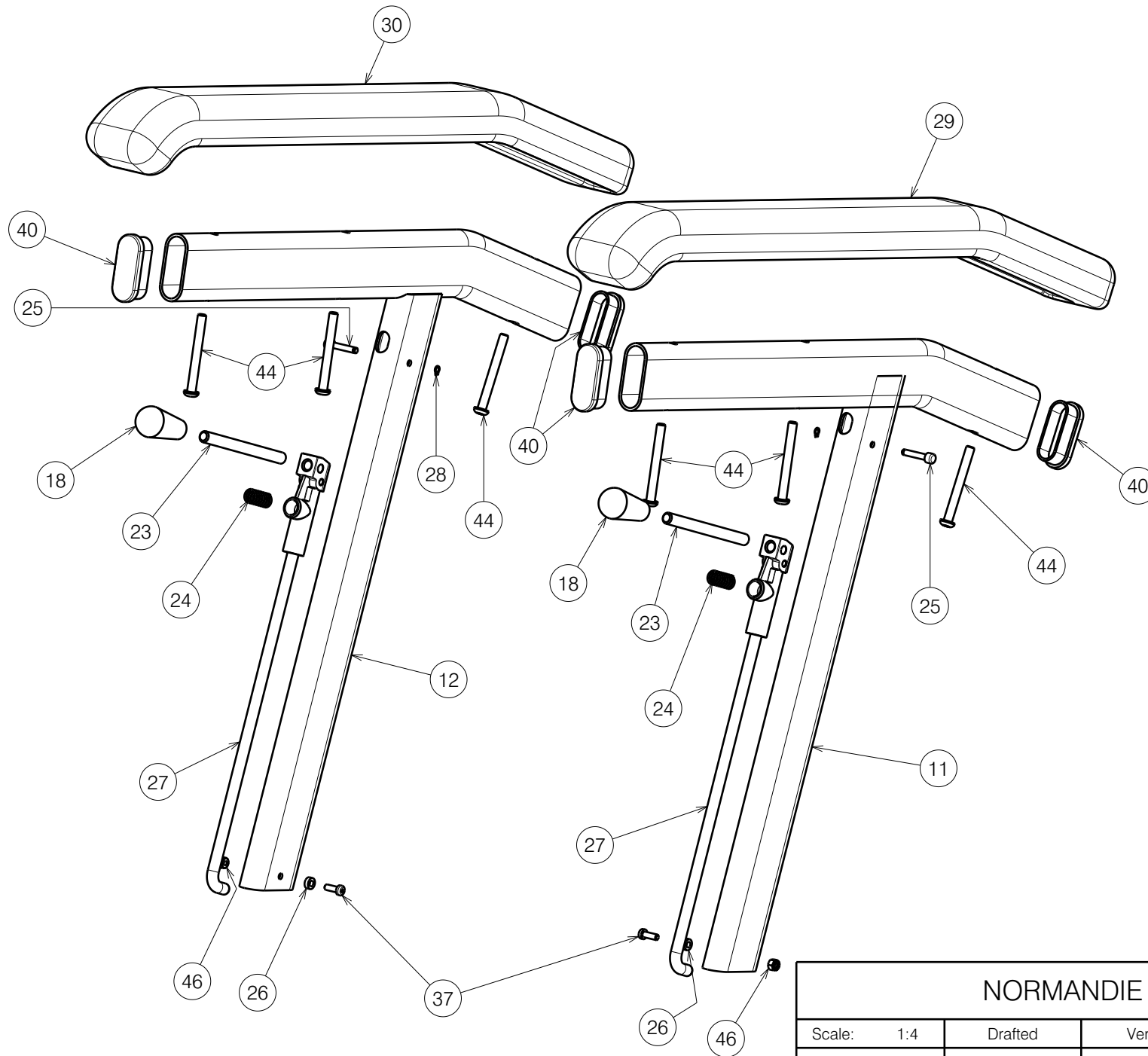
NORMANDIE XXL				---
				Plan No.
				E00043974/B1.1
Scale:	1:9	Drafted	Verified	Confirmed
Date	2022-10-06	10/01/2025	10/01/2025	
Initials	AZ	SDR	AZ	





NORMANDIE XXL				---
				Plan No.
				E00043974/B1.1
Scale: 1:4	Drafted	Verified	Confirmed	2/4
Date	2022-10-06	10/01/2025	10/01/2025	
Initials	AZ	SDR	AZ	





NORMANDIE XXL			
Scale:	1:4	Drafted	Verified
Date	2022-10-06	10/01/2025	10/01/2025
Initials	AZ	SDR	AZ


Plan No.
E00043974/B1.1

3/4

Bill of Material			
No.	Plan	Article	Quantity
1	Y012249	1667265	2
2	Y015193	1715065	1
3	Y015536	1716200	1
4	Y015544	1716065	1
5	Y015545	1716165	1
6	Y015823	1724765	2
7	Y015824	1724865	2
8	Y015825	1724965	4
9	Y015826	1725065	2
10	Y015961	1728065	1
11	Y016024	1725101	1
12	Y016025	1725201	1
13	Y016044	1730165	1
14	Y016077	1730365	1
15	Y016078	1730465	1
16	X000319	G080200	1
17	X001296	G065155	1
18	X001471 (Black)	1001143	2
19	X002480	1993793	2
20	X004485 (Black)	1903994	2
21	X004645	1730500	3
22	X005930 (Black)	1916350	4
23	XP00176	1824100	2
24	XP00179	1824400	2
25	XP00180	1824500	2
26	XP00192	1826100	2
27	XP00208	2990139	2
28	XP00297	2990125	2
29	XP03211 (Black)	2996925	1
30	XP03212 (Black)	2996926	1
31	D10,5 DIN125	1001557	30
32	M6 DIN 934	1001670	8
33	M6 DIN985	1001680	1
34	M10x35 DIN 933	1003785	6
35	M6x50	1006997	1

Bill of Material			
No.	Plan	Article	Quantity
36	M6x12	1007000	8
37	M4x12 DIN7985H	1900952	2
38	D100(Black)No Brake	1921704	2
39	D100(Black)Brake	1921705	2
40	Cap 48x20	1990980	4
41	M10x25	1992165	4
42	M12x100 DIN912	1993285	2
43	Pin D8x45	1993594	1
44	M6x55	1997879	6
45	Backrest Blue	2997503	1
	Backrest Lavender	2997504	1
	Backrest Brown	2997505	1
	Backrest Black	2997506	1
	Backrest Grey	2997507	1
46	M4 DIN985	1001678	2
47	Gas Spring 850N	1009800	1
48	M8x40	1008739	4
49	M8x16 DIN912	1001498	2
50	M10 DIN985	1001683	18
51	Screw D4x20	1991373	2
52	M10x25 DIN933	1001450	2
53*	Screw D4x35	1003022	2
54	Cap D25	1001608	2
55	M12 DIN985	1001684	2

* - not mounted, delivered separately

NORMANDIE XXL				---
				Plan No.
				E00043974/B1.1
Scale: ---	Drafted	Verified	Confirmed	
Date	2022-10-06	10/01/2025	10/01/2025	
Initials	AZ	SDR	AZ	