

\* Use:  
WEICONLOCK AN 302-43

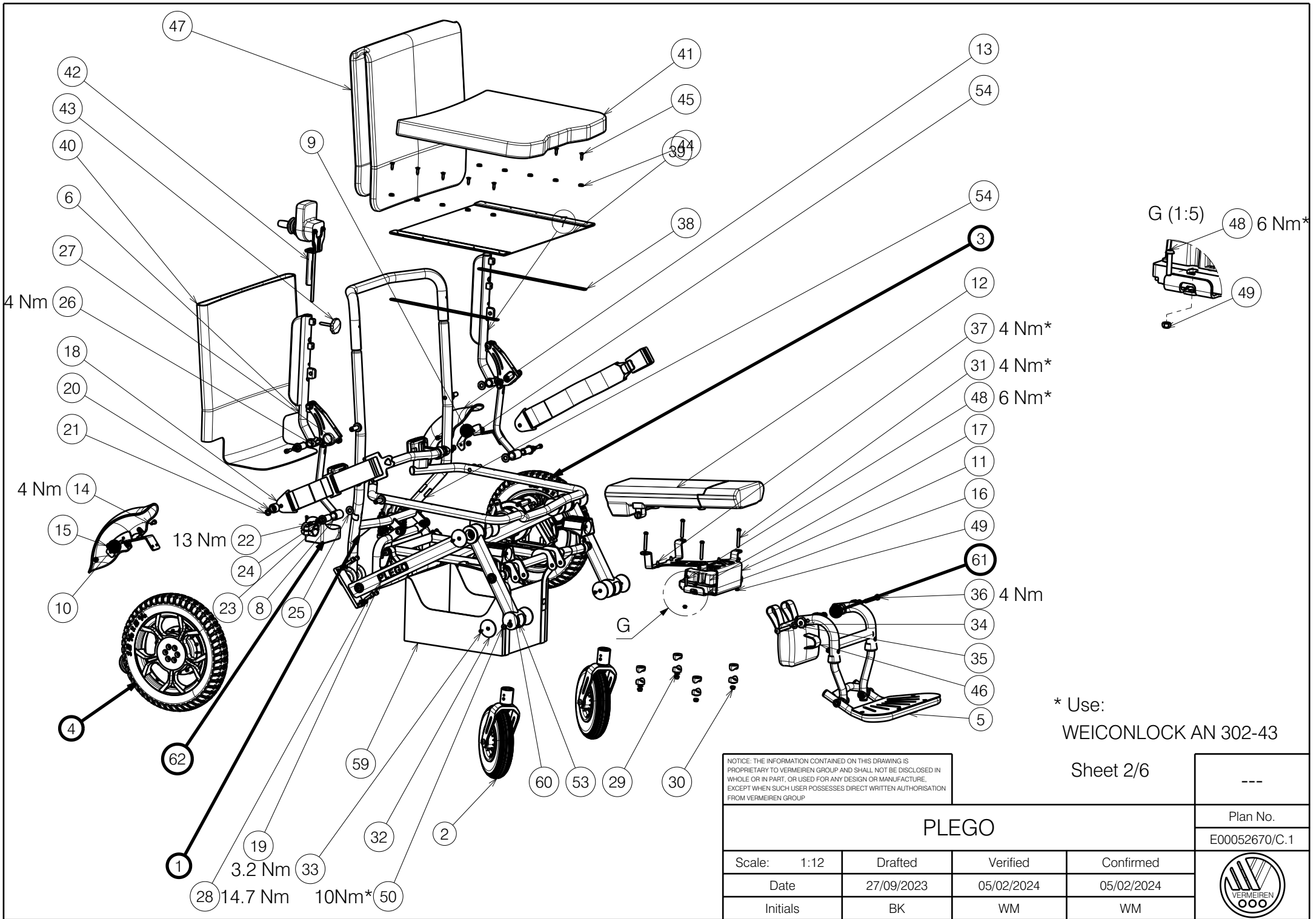
NOTICE: THE INFORMATION CONTAINED ON THIS DRAWING IS PROPRIETARY TO VERMEIREN GROUP AND SHALL NOT BE DISCLOSED IN WHOLE OR IN PART, OR USED FOR ANY DESIGN OR MANUFACTURE, EXCEPT WHEN SUCH USER POSSESSES DIRECT WRITTEN AUTHORISATION FROM VERMEIREN GROUP.

Sheet 1/6

PLEGO			
Scale: 1:10	Drafted	Verified	Confirmed
Date	27/09/2023	05/02/2024	05/02/2024
Initials	BK	WM	WM

---

Plan No.  
E00052670/C.1



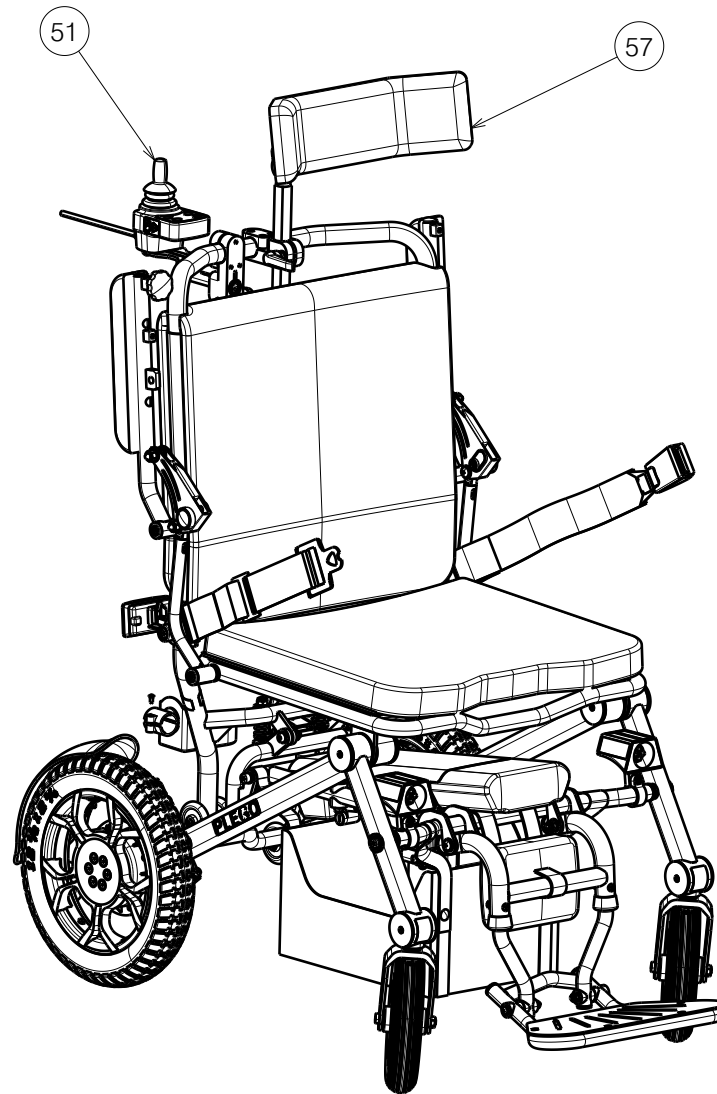
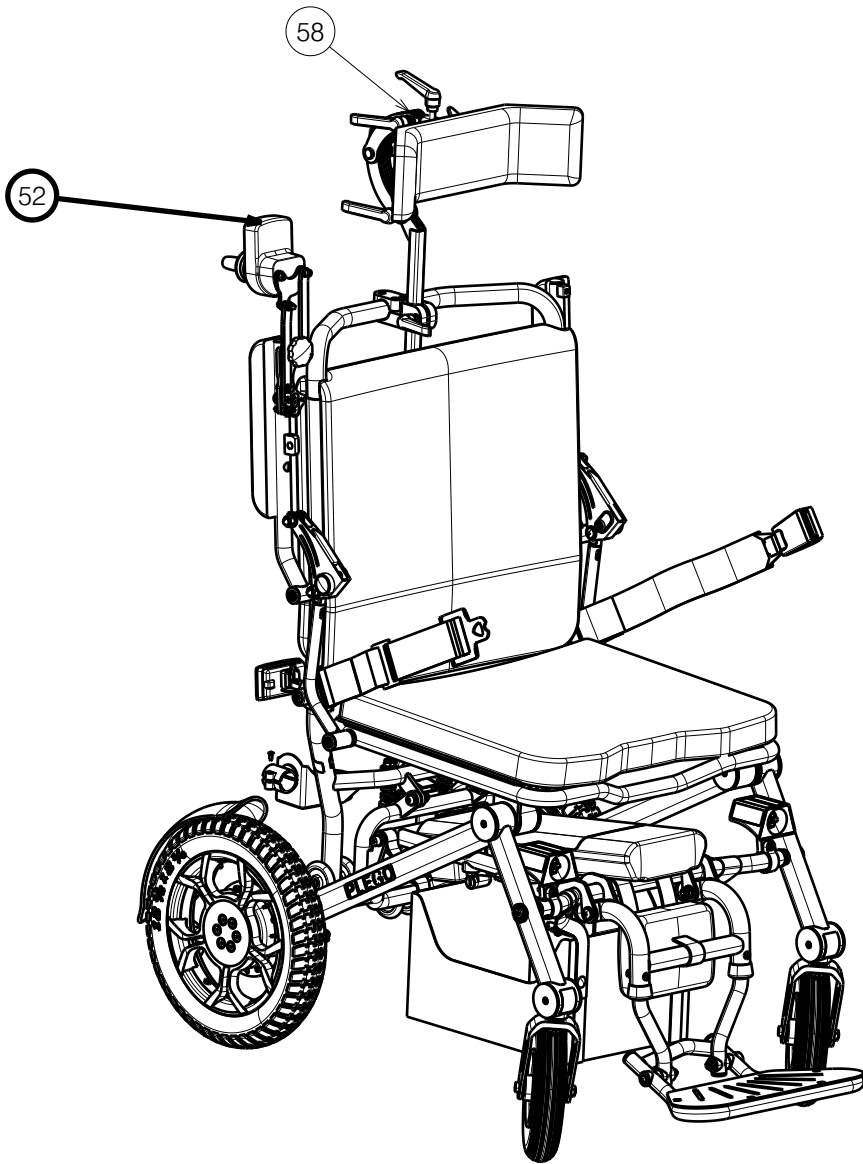
\* Use:  
WEICONLOCK AN 302-43

Sheet 2/6

NOTICE: THE INFORMATION CONTAINED ON THIS DRAWING IS PROPRIETARY TO VERMEIREN GROUP AND SHALL NOT BE DISCLOSED IN WHOLE OR IN PART, OR USED FOR ANY DESIGN OR MANUFACTURE, EXCEPT WHEN SUCH USER POSSESSES DIRECT WRITTEN AUTHORISATION FROM VERMEIREN GROUP.

<b>PLEGO</b>				---
				Plan No.
				E00052670/C.1
Scale:	1:12	Drafted	Verified	Confirmed
Date	27/09/2023	05/02/2024	05/02/2024	
Initials	BK	WM	WM	



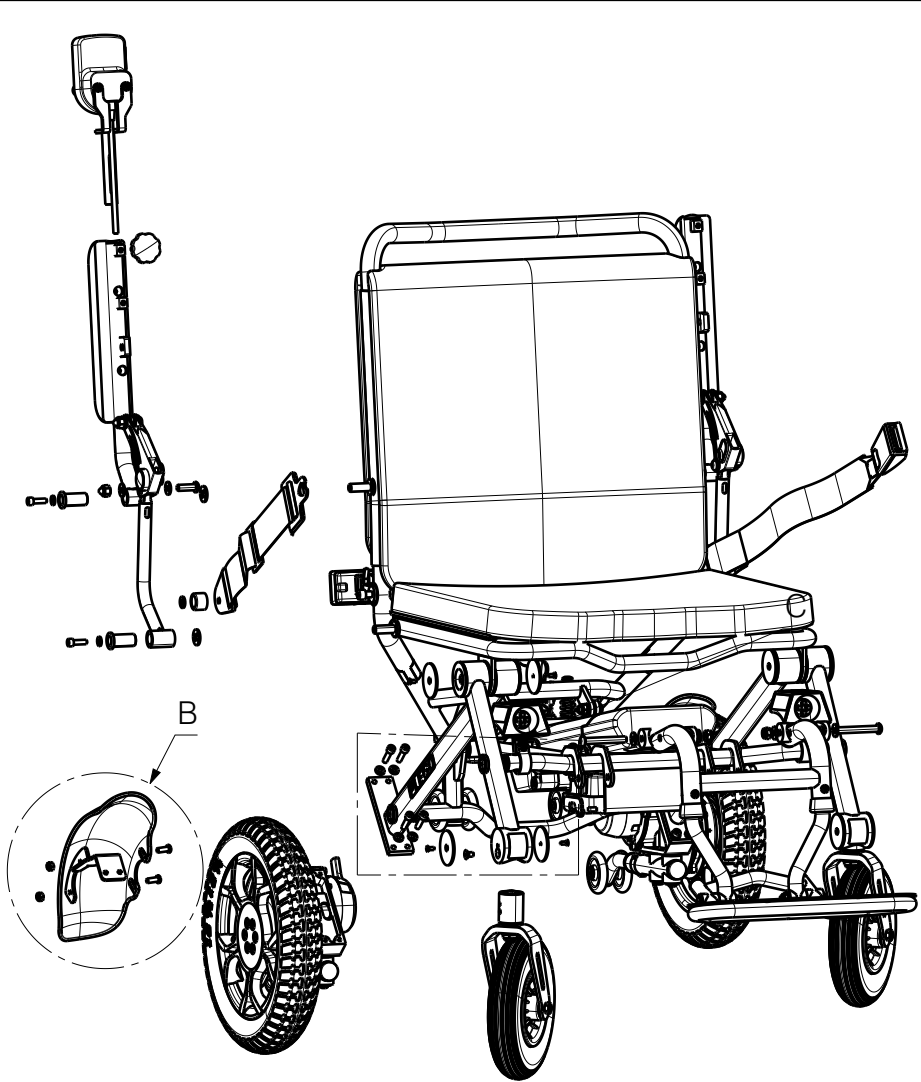


NOTICE: THE INFORMATION CONTAINED ON THIS DRAWING IS PROPRIETARY TO VERMEIREN GROUP AND SHALL NOT BE DISCLOSED IN WHOLE OR IN PART, OR USED FOR ANY DESIGN OR MANUFACTURE, EXCEPT WHEN SUCH USER POSSESSES DIRECT WRITTEN AUTHORISATION FROM VERMEIREN GROUP.

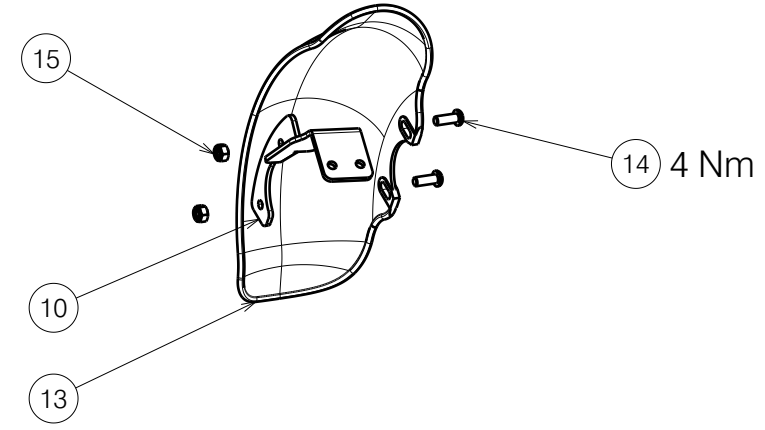
Sheet 3/6

---

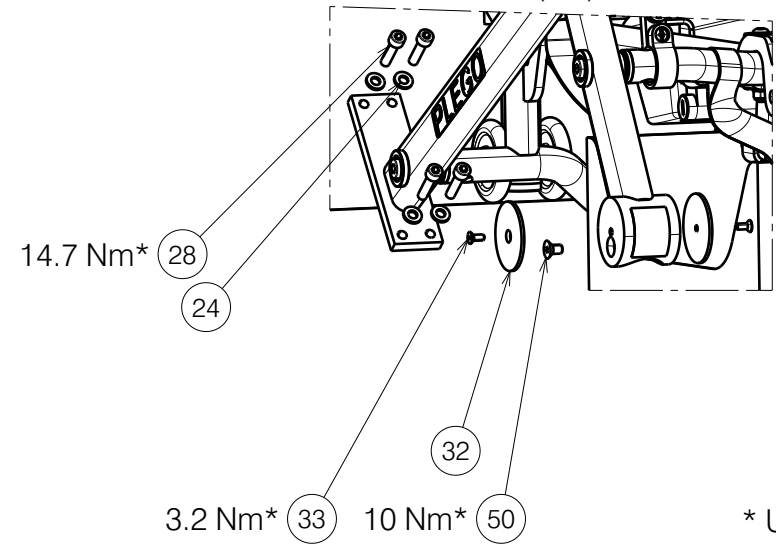
PLEGO				Plan No. E00052670/C.1
Scale: 1:10	Drafted	Verified	Confirmed	
Date	27/09/2023	05/02/2024	05/02/2024	
Initials	BK	WM	WM	



B (1:5)



C (1:5)

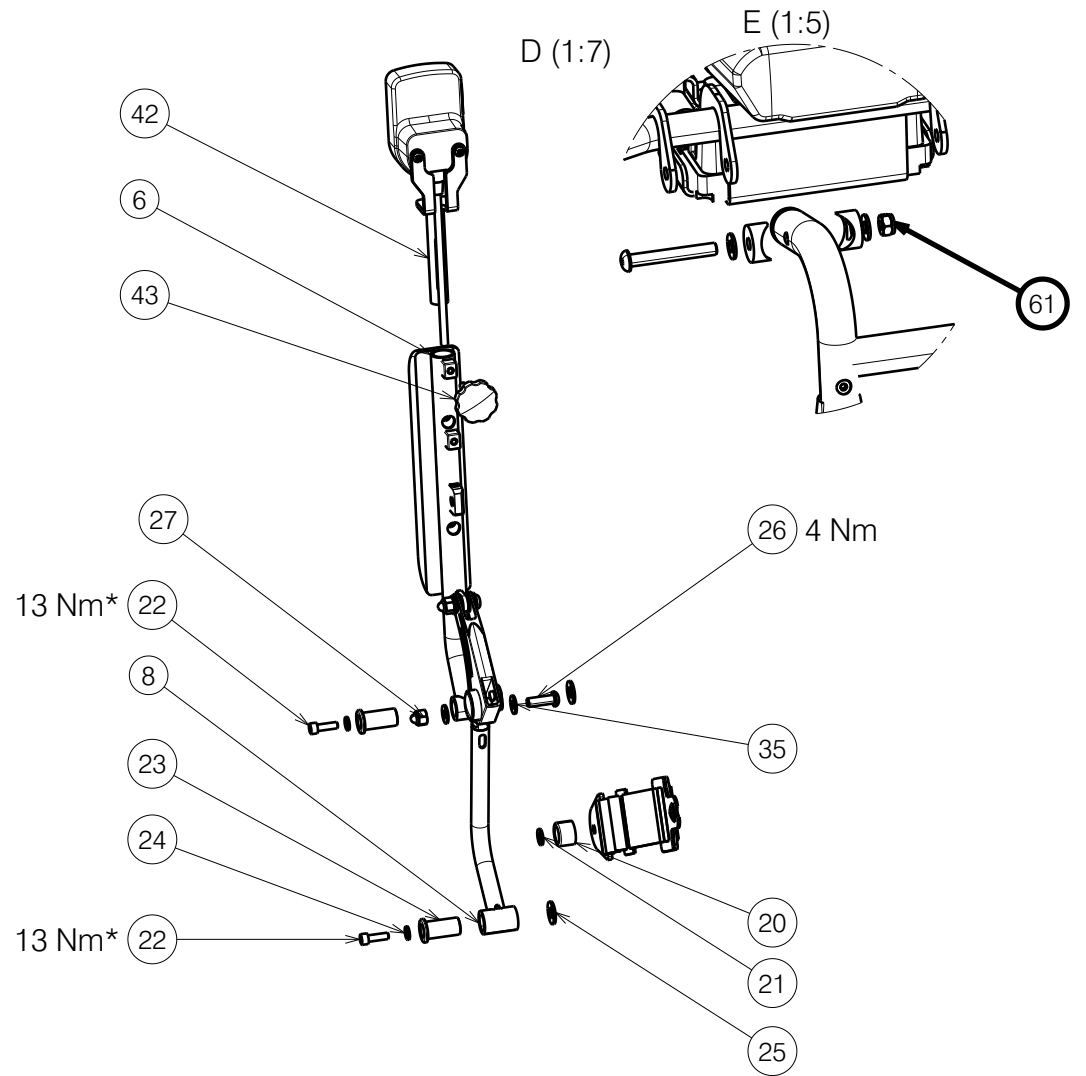
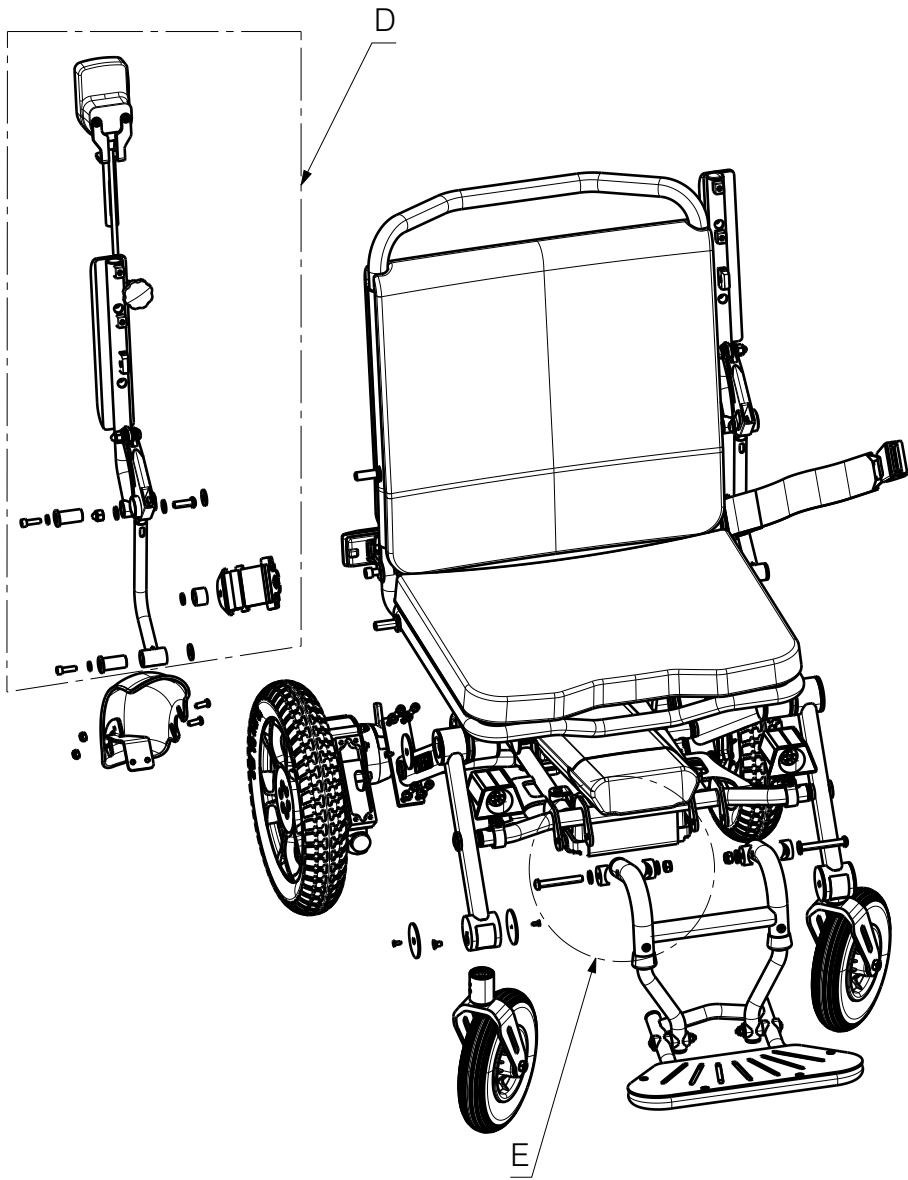


\* Use:  
WEICONLOCK AN 302-43

NOTICE: THE INFORMATION CONTAINED ON THIS DRAWING IS PROPRIETARY TO VERMEIREN GROUP AND SHALL NOT BE DISCLOSED IN WHOLE OR IN PART, OR USED FOR ANY DESIGN OR MANUFACTURE, EXCEPT WHEN SUCH USER POSSESSES DIRECT WRITTEN AUTHORISATION FROM VERMEIREN GROUP.

Sheet 4/6

<b>PLEGO</b>				---
				Plan No. E00052670/C.1
Scale: 1:12	Drafted	Verified	Confirmed	
Date	27/09/2023	05/02/2024	05/02/2024	
Initials	BK	WM	WM	



\* Use:  
WEICONLOCK AN 302-43


NOTICE: THE INFORMATION CONTAINED ON THIS DRAWING IS PROPRIETARY TO VERMEIREN GROUP AND SHALL NOT BE DISCLOSED IN WHOLE OR IN PART, OR USED FOR ANY DESIGN OR MANUFACTURE, EXCEPT WHEN SUCH USER POSSESSES DIRECT WRITTEN AUTHORISATION FROM VERMEIREN GROUP.

Sheet 5/6

PLEGO				---
				Plan No. E00052670/C.1
Scale: 1:12	Drafted	Verified	Confirmed	
Date	27/09/2023	05/02/2024	05/02/2024	
Initials	BK	WM	WM	

No.	Plan	Article	Qty	24	WASHER M6	2994414	16	40	P00056458	2997886	1				
1	E00063648	---	1	25	WASHER M10 DIN125	2998106	4	41	P00056457	2997884	1				
2	E00062349	---	1*					42	E00052668	---	1				
3	E00062350	---	1	26	M8x25	1990501	2	43	STAR KNOB M6x35 VGF	2990215	1				
4	E00062352	---	1	27	NUT M8	2995398	2								
5	E00056068	---	1	28	M6X25 DIN912	2996887	8	44	X001473	1002994	10				
6	E00063644	---	1	29	X000862	1006463	8	45	SCREW PARKER 4.8X19 DIN7983	1001534	10				
7	E00062355	---	1	30	NUT DIN985 M6	2994063	4								
8	P00053716	26771	2	31	M6x45	2994086	4	46	P00056460	2997888**	1				
9	P00062160	2677665	1	32	P00053220	26742B8 26742A9 26742B2 26742A7 26742D5 2674221	8	47	P00056459	2997885	1				
10	P00061760	2677765	1					48	M5x25	2994083	2				
11	P00053715	2678965	1					49	NUT M5	2994006	2				
12	1920605	1920605/1920606 **	1					50	M6X10	1904683	4				
13	XC01046	1919584	2					51	E00054750	---**	1				
14	M6x16	2994067	4	33	M4X10 DIN7991	2998006	8	52	E00065217/ E00066678	---**/ ---**	1				
15	NUT M6	2994063	4	34	X000106	G003218	4	53	P00066352	T001061	2				
16	1919238	1919238	1	35	M8 DIN125	2994415	8	54	P00066353	T001060	2				
17	1919240	1919240	1	36	M8X60 ISO7380	2995491	2	55	P00066354	1920500**	1				
18	2993352 ELEMENT 1 /2993352 ELEMENT 2	2993352	1	37	M5x12	2994074	4	56	E00066356	---**	1				
				38	P00054831	26779	2	57	E00066564	---**	1				
				39	P00056456	2997887	1	58	E00066475	---**	1				
19	P00061690	T001215 T001214 T001212 T001216 T001209 T001208	2									59	P00066482	2998031**	1
												60	P00066485	1920046**	2
												61	NUT M8	1996213	2
												62**	B31 CRUTCH- HOLDER PLAST.25MM	1906616	1
21	M8 DIN125B	1001556	2												
22	M6x20	2994004	4												
23	P00053209	2997847	4												

\* 1 pair contains 2 pcs -  
check AS system  
\*\* Optional equipment

NOTICE: THE INFORMATION CONTAINED ON THIS DRAWING IS PROPRIETARY TO VERMEIREN GROUP AND SHALL NOT BE DISCLOSED IN WHOLE OR IN PART, OR USED FOR ANY DESIGN OR MANUFACTURE, EXCEPT WHEN SUCH USER POSSESSES DIRECT WRITTEN AUTHORISATION FROM VERMEIREN GROUP.				Sheet 6/6		---
<b>PLEGO</b>						Plan No.
						E00052670/C.1
Scale:	1:10	Drafted	Verified	Confirmed		
Date	27/09/2023	05/02/2024	05/02/2024			
Initials	BK	WM	TK			