
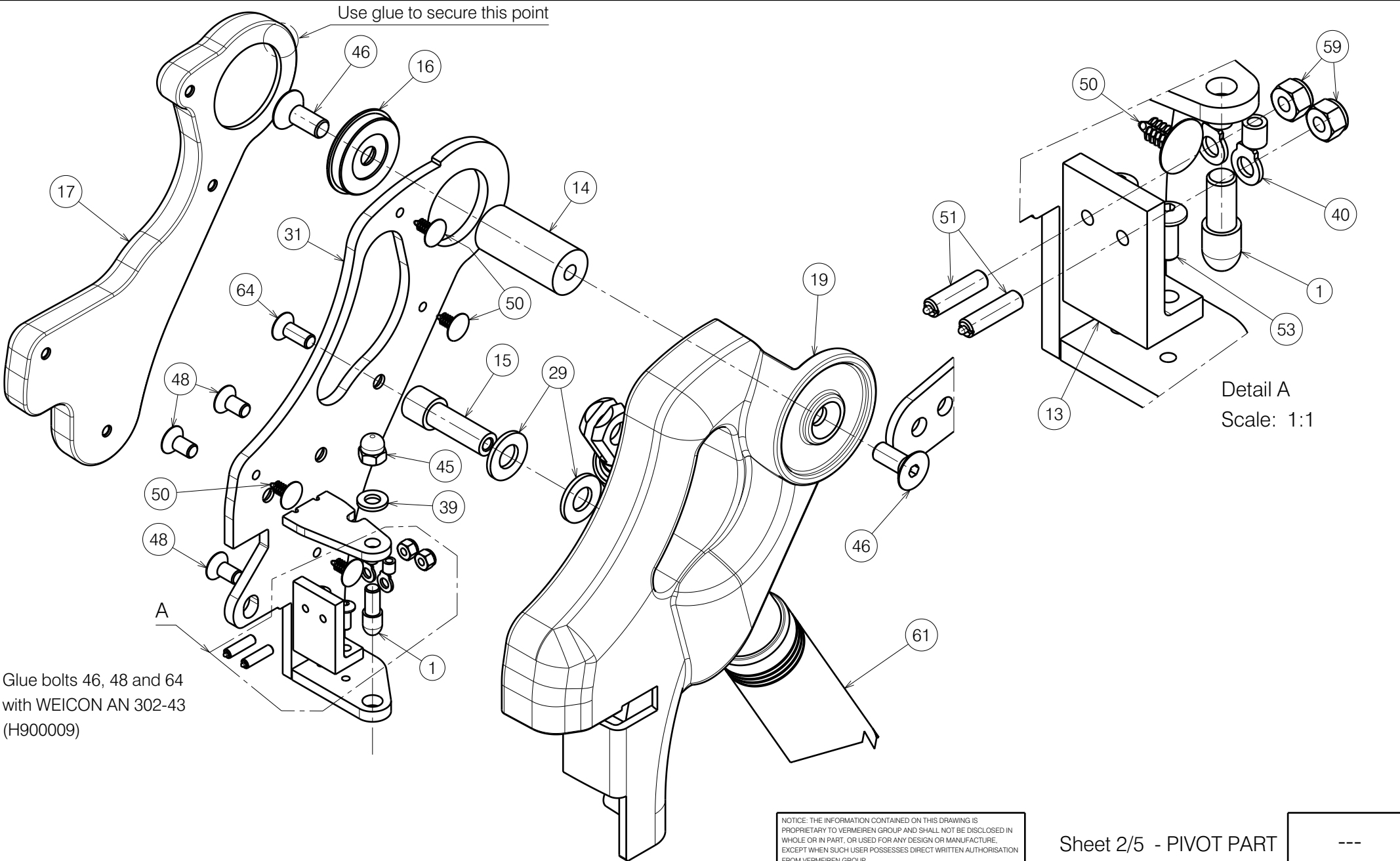


NOTICE: THE INFORMATION CONTAINED ON THIS DRAWING IS PROPRIETARY TO VERMEIREN GROUP AND SHALL NOT BE DISCLOSED IN WHOLE OR IN PART, OR USED FOR ANY DESIGN OR MANUFACTURE, EXCEPT WHEN SUCH USER POSSESSES DIRECT WRITTEN AUTHORISATION FROM VERMEIREN GROUP.

Sheet 1/5 - ATTACHMENTS

---
Plan No.
E001133/U


<b>ELECTRICAL LEGREST BZE</b>			
Scale: 1:2	Drafted	Verified	Confirmed
Date	31.07.2019	27.01.2026	27.01.2026
Initials	SD	PM	AS



Glue bolts 46, 48 and 64  
with WEICON AN 302-43  
(H900009)

Detail A  
Scale: 1:1

NOTICE: THE INFORMATION CONTAINED ON THIS DRAWING IS  
PROPRIETARY TO VERMEIREN GROUP AND SHALL NOT BE DISCLOSED IN  
WHOLE OR IN PART, OR USED FOR ANY DESIGN OR MANUFACTURE,  
EXCEPT WHEN SUCH USER POSSESSES DIRECT WRITTEN AUTHORISATION  
FROM VERMEIREN GROUP.

Sheet 2/5 - PIVOT PART

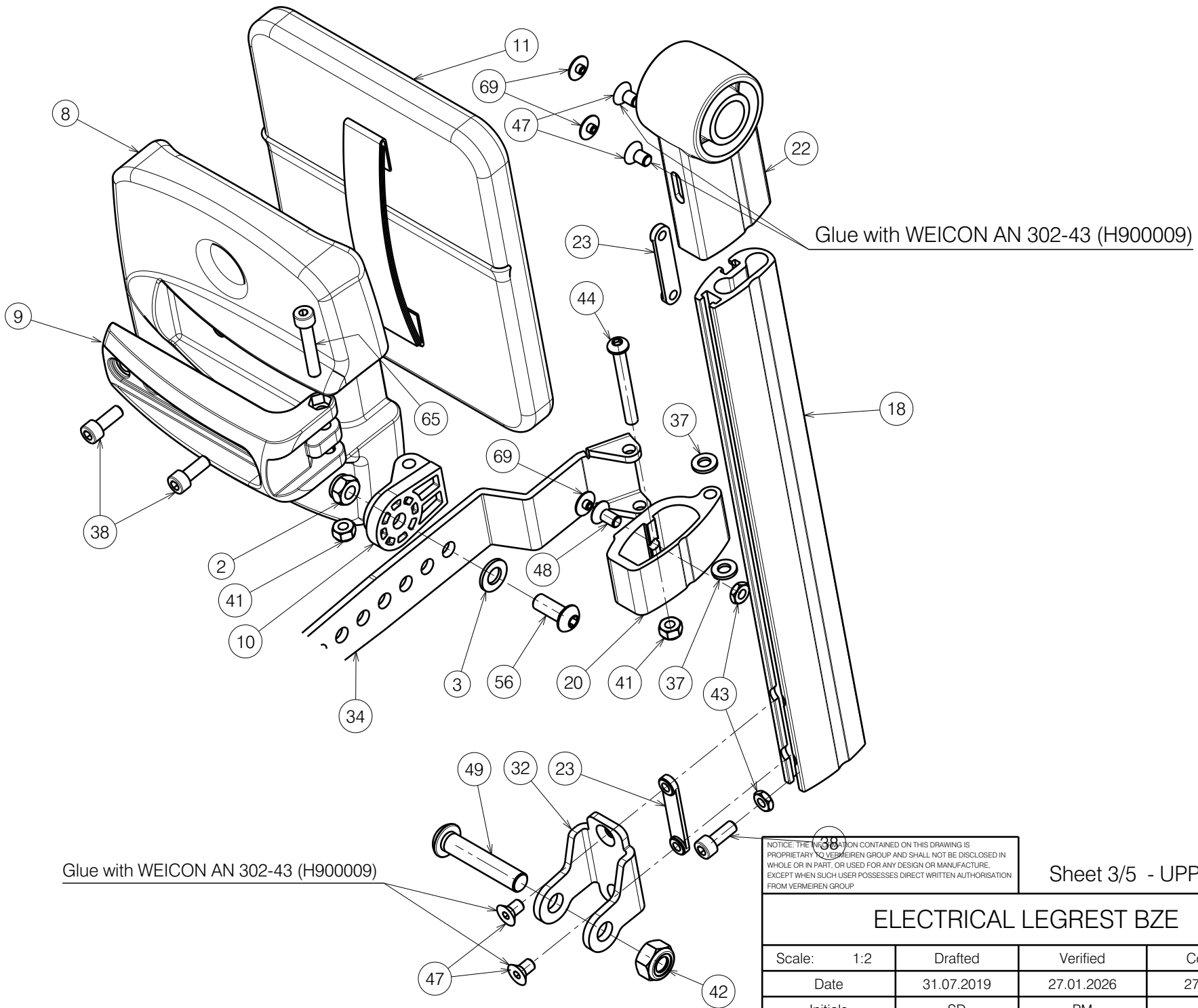
---

ELECTRICAL LEGREST BZE

Plan No.  
E001133/U

Scale:	1:2	Drafted	Verified	Confirmed
Date	31.07.2019	27.01.2026	27.01.2026	
Initials	SD	PM	AS	





NOTICE: THE INFORMATION CONTAINED ON THIS DRAWING IS PROPRIETARY TO VERMEIREN GROUP AND SHALL NOT BE DISCLOSED IN WHOLE OR IN PART, OR USED FOR ANY DESIGN OR MANUFACTURE, EXCEPT WHEN SUCH USER POSSESSES DIRECT WRITTEN AUTHORISATION FROM VERMEIREN GROUP.

Sheet 3/5 - UPPER PART

---

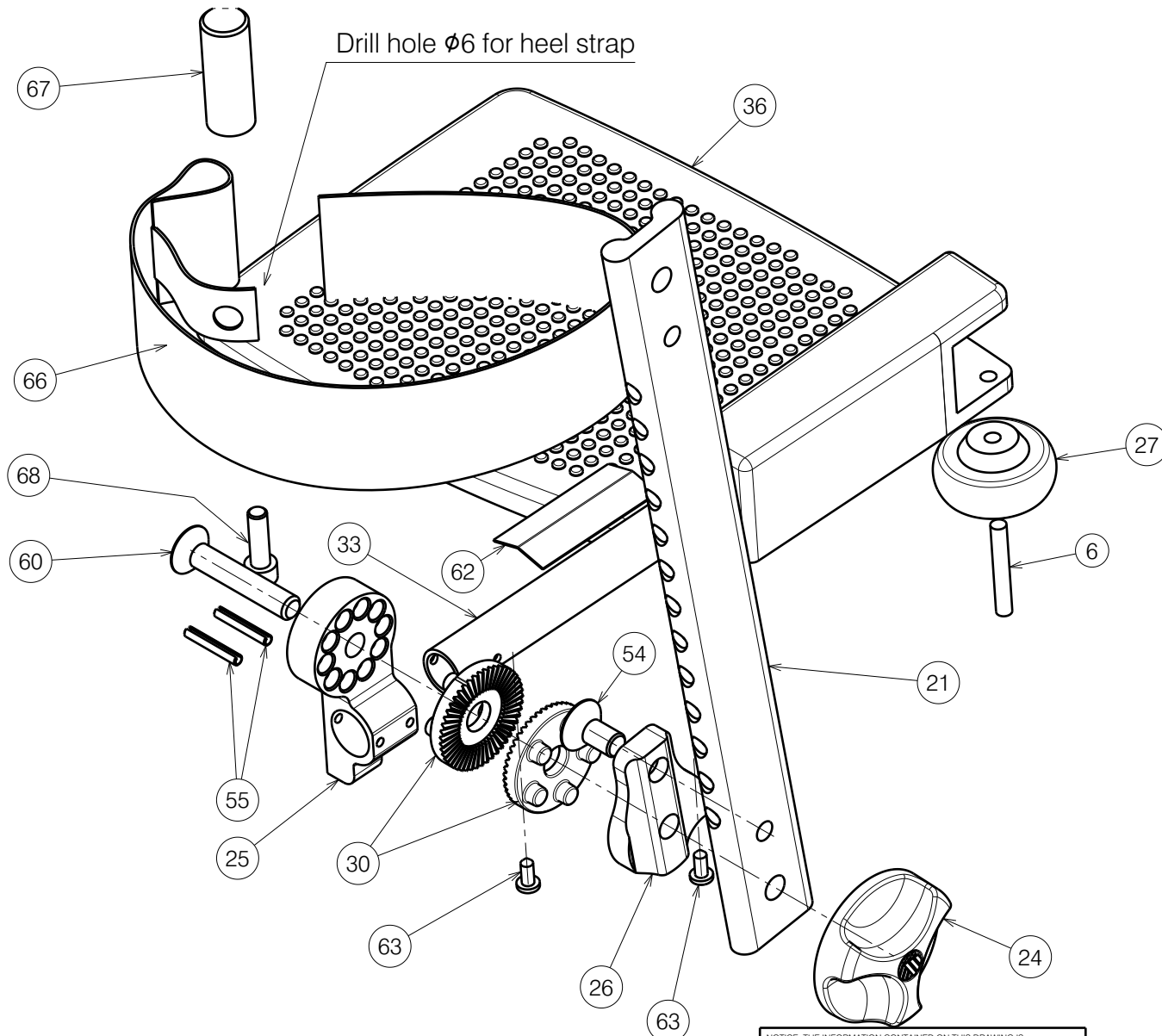
Plan No.

E001133/U

### ELECTRICAL LEGREST BZE

Scale:	1:2	Drafted	Verified	Confirmed
Date	31.07.2019	27.01.2026	27.01.2026	27.01.2026
Initials	SD	PM	AS	





NOTICE: THE INFORMATION CONTAINED ON THIS DRAWING IS PROPRIETARY TO VERMEIREN GROUP AND SHALL NOT BE DISCLOSED IN WHOLE OR IN PART, OR USED FOR ANY DESIGN OR MANUFACTURE, EXCEPT WHEN SUCH USER POSSESSES DIRECT WRITTEN AUTHORISATION FROM VERMEIREN GROUP.

Sheet 4/5 - LOWER PART

---
Plan No.
E001133/U

<b>ELECTRICAL LEGREST BZE</b>			
Scale: 1:2	Drafted	Verified	Confirmed
Date	31.07.2019	27.01.2026	27.01.2026
Initials	SD	PM	AS

**Material**

No.	Plan	Article	Quantity	No.	Plan	Article	Quantity	No.	Plan	Article	Quantity
1	X000227	1465200	2	35A	Y023598 (R)	2072554	1	60	M8x45 DIN7991	2991298	1
2	X001016	1001682	1		Y023567 (L)	2072654	1	61	1000 N	1922945	1
3	X001119	1001554	1	35B	Y023713 (R)	2074154	1	62	Y000593	F000193	1
4	X002126	1992429	1		Y023712 (L)	2074054	1	63	D3.9x9.5 DIN7981	1001530	2
5	X002169	1992791	1	35C	YP08356 (R)	2614854	1	64	M6x16 DIN7991	1994752	1
6	X003590	1003917	1		YP08355 (L)	2614754	1	65	M6x35 DIN912	1001496	1
7	X004360	G080000	1	36	Small left (40)	1627204	1	66	Small	1992802	1
8	X004733	1905733	1		Small right (40)	1627304	1		Large	1992803	1
9	X004784	1905950	1		Medium left (42-45)	1627404	1	67	XC00134	3992885	1
10	X004787	1905947	1		Medium right (42-45)	1627504	1	68	M6x20 DIN912	1001493	1
11	X004912	1907232 (gray)	1		Large left (48-50)	1627004	1	69	---	1916184	3
	P00073244	2998183 (black)	1		Large right (48-50)	1627104	1				
12	X005757	1916036	1	37	M6 DIN125	1000973	2				
13	X005933	1916443	1	38	M6x16 DIN912	1001492	3				
14	X005761	2071300	1	39	M6 DIN125	1001564	1				
15	X005762	2071400	1	40	---	L000045	2				
16	X005765	G117100	1	41	M6 DIN985	1001680	7				
17	X005766 (R)	1916069	1	42	M10 DIN985	1001683	1				
	X005769 (L)	1916070	1	43	M6 DIN439	1006978	2				
18	X005874 (R)	2070599	1	44	M6x50 ISO7380	1006997	1				
	X005764 (L)	2071299	1	45	M6	1008492	1				
19	X005875 (R)	2071954	1	46	M8x20 DIN7991	1903136	2				
	X005767 (L)	2071754	1	47	M6x10 DIN7991	1904683	4				
20	X005876	2071099	1	48	M6x12 DIN7991	1908566	4				
21	X005877	2070699	1	49	X002381	1009335	1				
22	X005879 (R)	2071154	1	50	D4	1916068	4				
	X005768 (L)	2071654	1	51	M4x16	1916442	2				
23	X005886	2071800	2	52	M3x16 DIN7991	1916136	1				
24	X005887	1916037	1	53	M4x10 ISO7380	1998758	2				
25	X005888 (R)	2070899	1	54	M8x16 DIN7991	1916193	1				
	X005763 (L)	2070999	1	55	D3x22 DIN1481	1916194	2				
26	X005889	2070799	1	56	M8x20 ISO7380	1992349	1				
27	X005901	1915961	1	57	M5 DIN9786	1992804	1				
28	X005904	1916059	1	59	M4 DIN985	1001678	2				
29	M10 DIN125	1001557	2								
30	XP03382	GP27926	2								
31	Y023564 (R)	2072354	1								
	Y023636 (L)	2072454	1								
32	Y023569	2072254	1								
33	Y023577	2073900	1								
34	P00037790	2082754	1								

**Notes:**

- 34A Short depth adjustment
- 34B Long depth adjustment = Standard
- 35A for Forest 3, Sigma, Timix, Forest 3+
- 35B for Navix
- 35C for Turios

Quantities are for one side

NOTICE: THE INFORMATION CONTAINED ON THIS DRAWING IS PROPRIETARY TO VERMEIREN GROUP AND SHALL NOT BE DISCLOSED IN WHOLE OR IN PART, OR USED FOR ANY DESIGN OR MANUFACTURE, EXCEPT WHEN SUCH USER POSSESSES DIRECT WRITTEN AUTHORISATION FROM VERMEIREN GROUP.

Sheet 5/5 - BILL OF MATERIAL

---

**ELECTRICAL LEGREST BZE**

Plan No.

E001133/U

Scale:	1:2	Drafted	Verified	Confirmed
Date	31.07.2019	27.01.2026	27.01.2026	
Initials	SD	PM	AS	

