

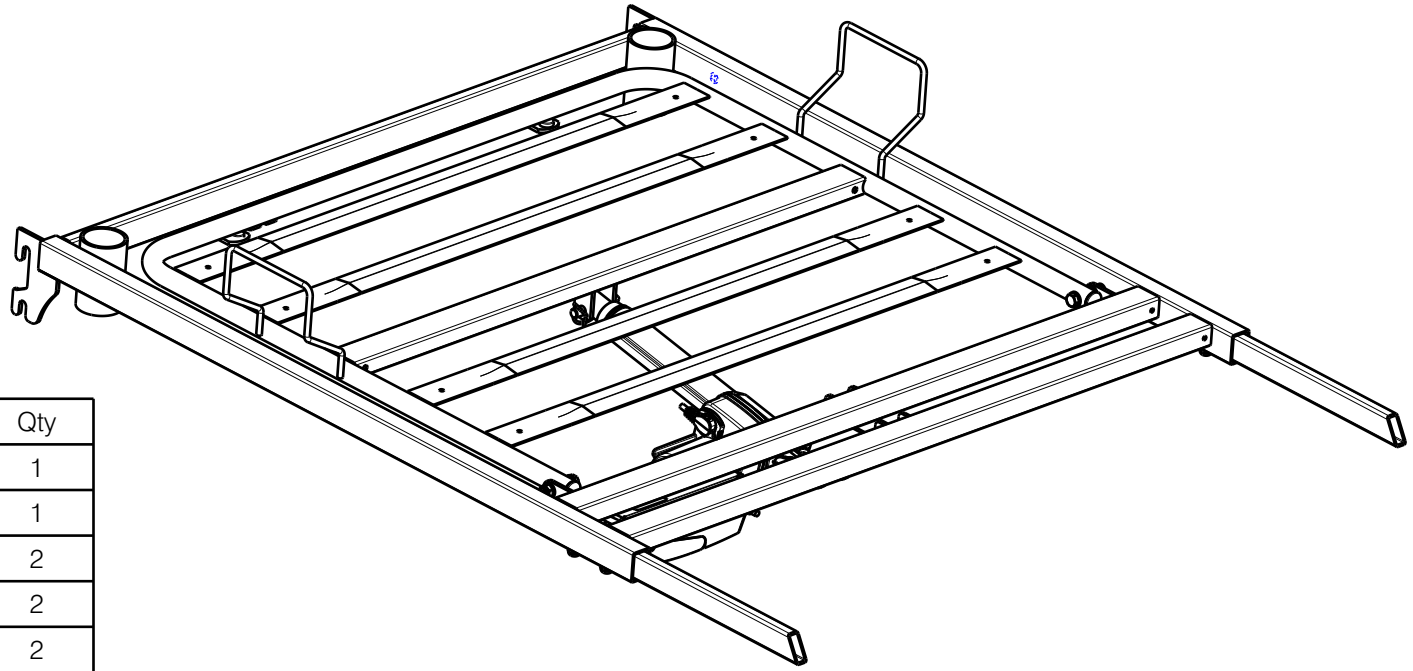
| * - Use only with metal side rails (E000037, E000038).
Stickers positioning: use S-PL.70.04.

NOTICE: THE INFORMATION CONTAINED ON THIS DRAWING IS PROPRIETARY TO VERMEIREN GROUP AND SHALL NOT BE DISCLOSED IN WHOLE OR IN PART, OR USED FOR ANY DESIGN OR MANUFACTURE, EXCEPT WHEN SUCH USER POSSESSES DIRECT WRITTEN AUTHORIZATION FROM VERMEIREN GROUP.

HEAD SIDE WITH STEEL LATHS / CLUB VARIO ^{1/2}

Scale:	1:6	Drafted	Verified	Confirmed
Date		2022-10-27	2024-10-30	2024-10-30
Initials		OY	MK	AZ

Plan No. E00046540/F1.1



No.	Plan	Article	Qty
1	P00037787DP	2660237	1
2	YP05099DP	2899537	1
3	YP08733	2626300	2
4	X001016	1001682	2
5	XP02064	2993688	2
6	---	1001637	2
7	D8,4 DIN125	1003199	6
8	D3,9x16 DIN7982	1005767	2
9*	Arrow Sticker	1903223	2
10	Motor LA24	1918548	1
11	Control Box	1918550	1
12	Remote Control	1919111	1
13	M8x40 ISO7380	1008739	4
14	M8x40 DIN 931	2993705	2
15	Pen D10x50	1998885	2
16	Panel Cable	1921012	2
17	Headrest Cable	1919185	1
18	Control Box Holder	1919522	1
19	Footrest Cable	1919533	1

| * - Use only with metal side rails (E000037, E000038).
Stickers positioning: use S-PL. 70.04.

NOTICE: THE INFORMATION CONTAINED ON THIS DRAWING IS PROPRIETARY TO VERMEIREN GROUP AND SHALL NOT BE DISCLOSED IN WHOLE OR IN PART, OR USED FOR ANY DESIGN OR MANUFACTURE, EXCEPT WHEN SUCH USER POSSESSES DIRECT WRITTEN AUTHORISATION FROM VERMEIREN GROUP.

HEAD SIDE WITH STEEL LATHS / CLUB VARIO ^{2/2}

Scale:	1:6	Drafted	Verified	Confirmed
Date	2022-10-27	2024-10-30	2024-10-30	
Initials	OY	MK	AZ	

Plan No.
E00046540/F1.1