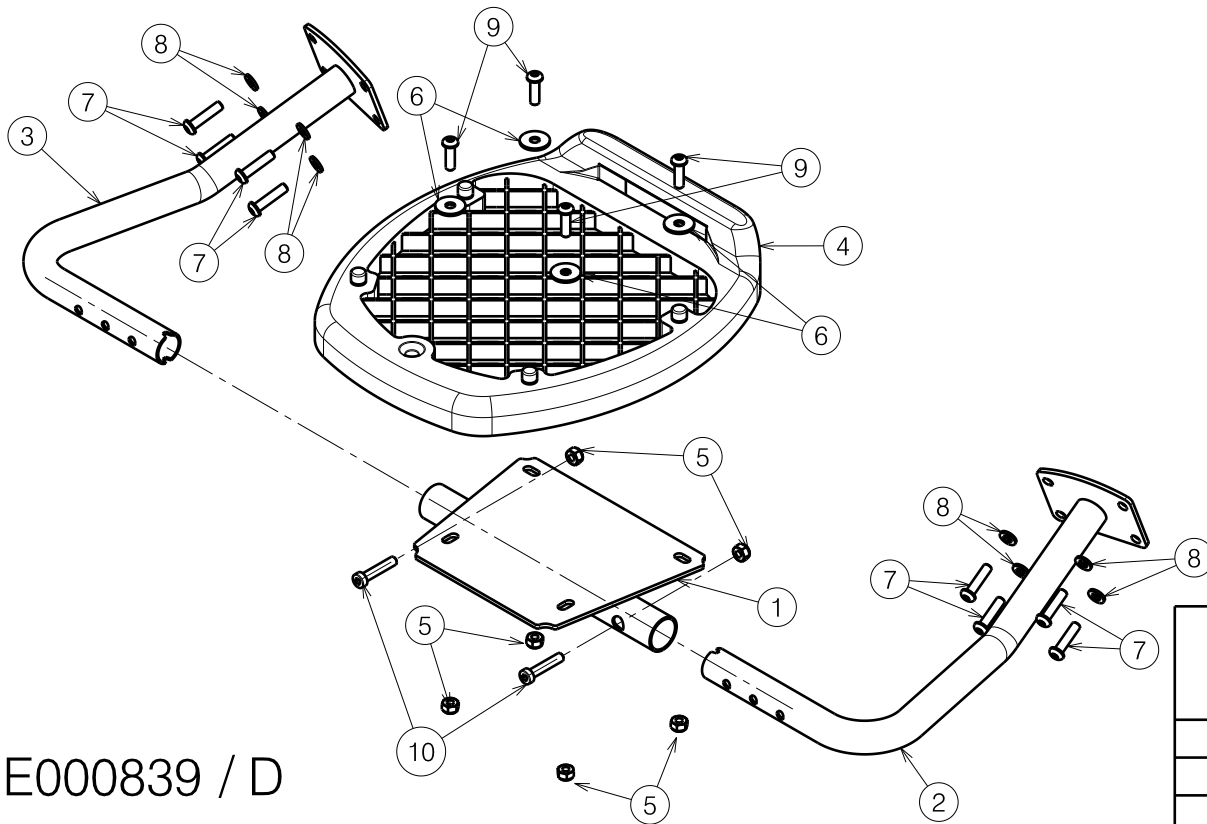



| Material | | | |
|----------|---------------|---------|----------|
| No. | Plan | Article | Quantity |
| 1 | Y019204 | 1782354 | 1 |
| 2 | Y019206 | 1782154 | 1 |
| 3 | Y019207 | 1782254 | 1 |
| 4 | --- | W201138 | 1 |
| 5 | M6 DIN985 | 1001680 | 6 |
| 6 | M6 | 1997328 | 4 |
| 7 | M6x25 ISO7380 | 1006998 | 8 |
| 8 | M6 DIN125 | 1001564 | 8 |
| 9 | M6x20 ISO7380 | 1006999 | 4 |
| 10 | M6X30 DIN7984 | 1992721 | 2 |



2991826

E000839 / D

| | | | | |
|----------------------------------|------------|------------|------------|---|
| SE27 - TOP CASE TIMIX / FOREST 3 | | | | Plan No. |
| | | | | E000839 / D |
| Scale: 1:5 | Drafted | Verified | Confirmed |  |
| Date | 09/09/2013 | 27/04/2016 | 27/04/2016 | |
| Initials | JG | SD | PJ | |