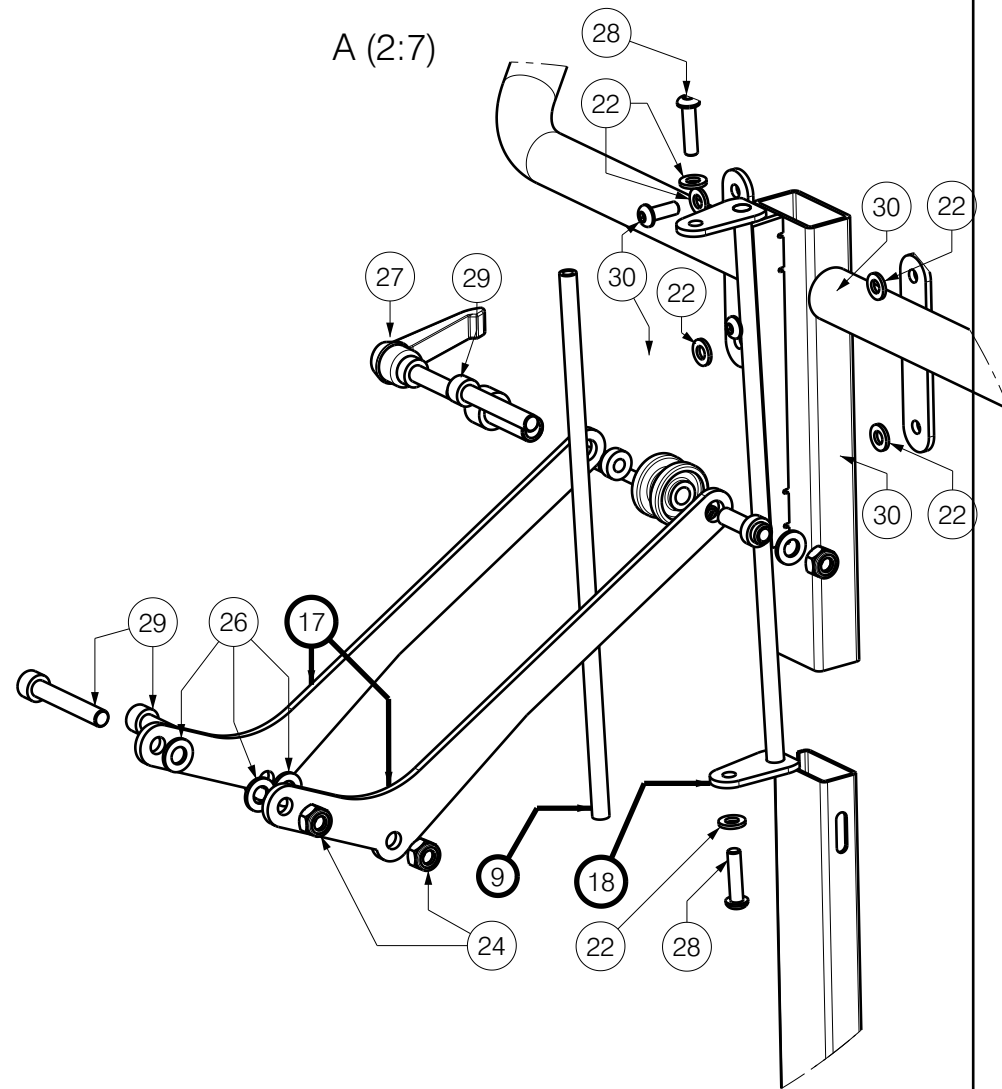
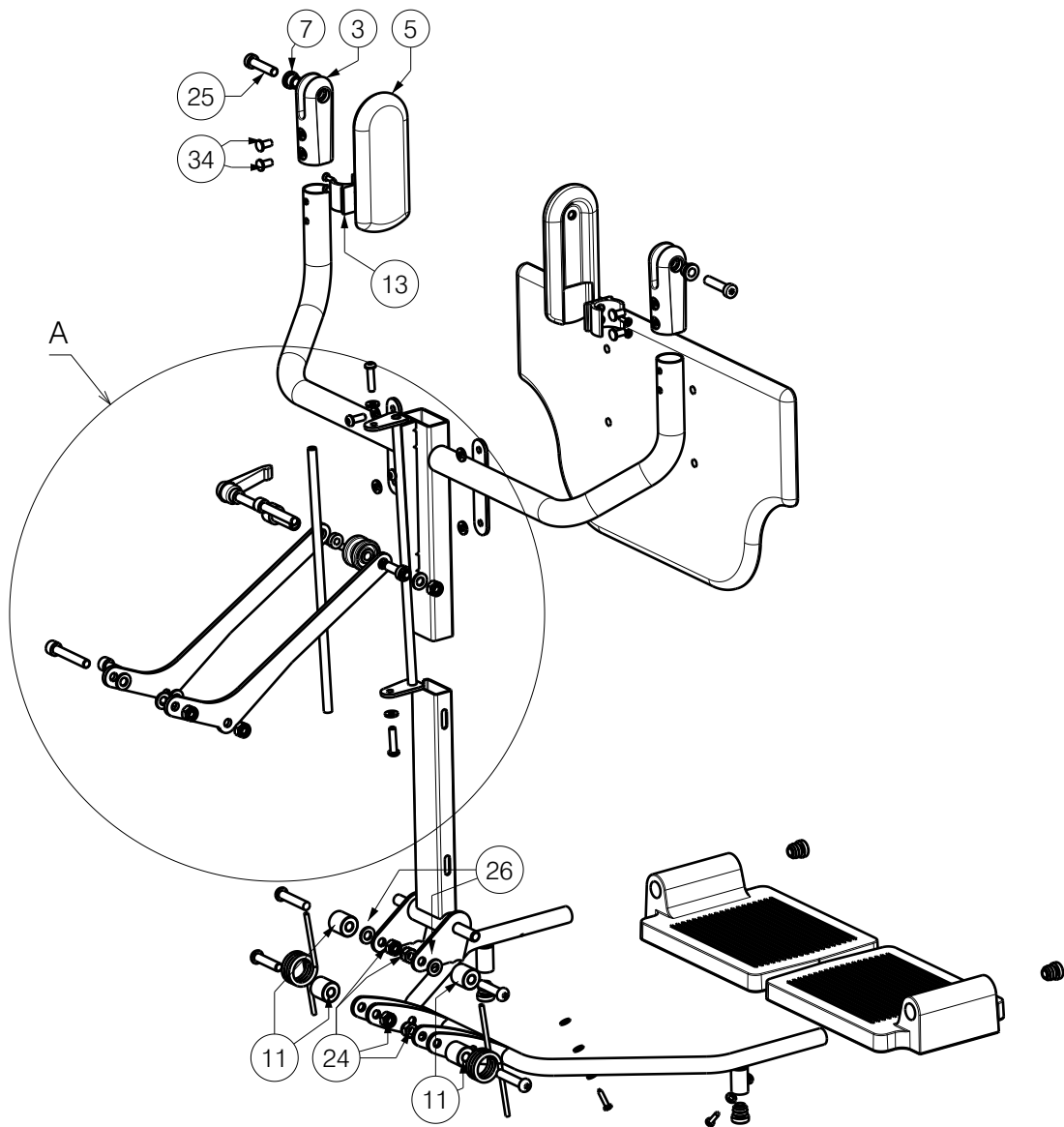


Material			
No.	Plan	Article	Quantity
1	X002169	1992791	1
2	X003478	1998374	1
3	X003492	1900607	2
4	X003573	1004818	2
5	X003793	1900442	2
6	X003878	1677500	1
7	X003894	1677100	2
8	X003913	1901654	1
9	X003915	16837...	1
10	X004002	1677600	1
11	X004034	1683600	4
12	X004730	1735800	1
13	XP00106	2990072	2
14	XP00144	1894000	1
15	XP00567	1894100	1
16	LEGREST	2993943	1
17	Y012876	17151...	2
18	Y012953	16781...	1
19	Y015201	17179...	1
20	Y015202	1718000	1
21	M5 DIN125	1001550	6
22	M6 DIN125	1001564	6
23	TUBE CAP D16	1001598	4
24	X001016	1001682	7
25	M8x35 DIN7984	1003067	2
26	M8 DIN125	1003199	7
27	BRAKE HANDLE	1005860	1
28	M6x25	1006998	2
29	M8x50 DIN912	1007517	3
30	1008459	1008459	4
31	M8x40	1008739	2
32	D3.9X16 DIN7982	1005767	4
33	ScrewD4X20	1991373	2
34	1992835	1992835	4
35	1993236	1993236	2

EP00290 / D

<h2>Legrest Alitude 2 & Coraille 2</h2>				Plan No.
				EP00290 / D
Scale: 1:7	Drafted	Verified	Confirmed	
Date	19/06/2018	30/09/2021	30/09/2021	
Initials	DB	DR	TK	



EP00290 / D

Legrest Alitude 2 & Coraille 2				Plan No. EP00290 / D
Scale: 1:7	Drafted	Verified	Confirmed	
Date	19/06/2018	30/09/2021	30/09/2021	
Initials	DB	DR	TK	