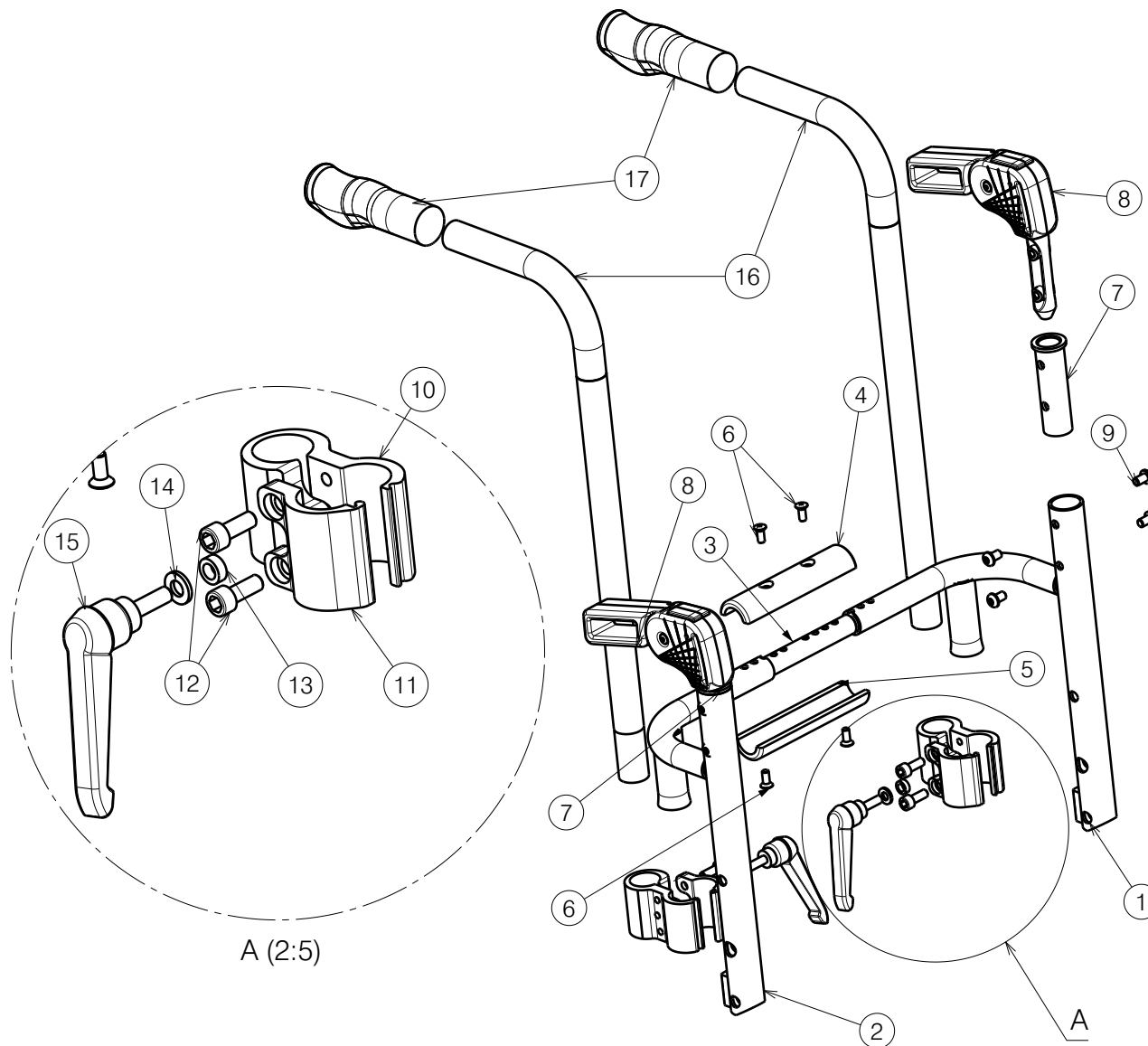


Material

No.	Plan	Article	Quantity
Width 24-30			
1	YP09555 (H25)	26653..	1
	YP09557 (H27)	26655..	1
	YP09559 (H30)	26657..	1
	YP09561 (H32)	26659..	1
2	YP09556 (H25)	26654..	1
	YP09558 (H27)	26656..	1
	YP09560 (H30)	26658..	1
	YP09562 (H32)	26660..	1
Width 30-34			
1	YP09563 (H25)	26661..	1
	YP09565 (H27)	26663..	1
	YP09567 (H30)	26665..	1
	YP09569 (H32)	26667..	1
2	YP09564 (H25)	26662..	1
	YP09566 (H27)	26664	1
	YP09568 (H30)	26666..	1
	YP09570 (H32)	26668..	1
3	XP00674	2990916	1
4	XP00749	2991070	1
5	XP00675	2990915	1
6	M5x12 DIN966	2990933	4
7	XP03434	2997534	2
8	EP00246	2993853	2
9	M6x10 (Black)	2994127	8
10	XP02044	GP14899	2
11	XP02045	GP14999	2
12	M6X16 DIN912	2994065	4
13	XP03073	GP23400	2
14	M6 DIN125 BLACK	2994414	2
15	HandleM6x20	1905873	2
16	YP06946	2769399	2
17*	GR-ERGO-S	2993810	2

* Use the clipped



EP00646/A

HANDLE ADJUSTABLE IN HEIGHT WITH A CLAMP SAGITTA KIDS				Plan Number EP00646/A
Scale: 1:4	Drafted	Verified	Confirmed	
Date	10/11/2022	14/11/2022	15/11/2022	
Initials	WM	AS	AS	