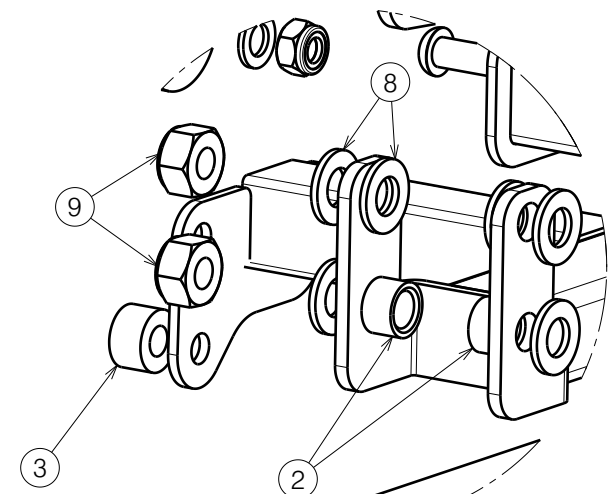


Material			
No.	Plan	Article	Quantity
1	YP07904	2602154	1
2	XP02874	2994766	2
3	XP03329	1996776	2
4	M8x30	1992717	8
5	M8	1001556	8
6	NUT M8	1001682	8
7	M10x40	1995829	2
8	M10	1001558	6
9	NUT M10	1001683	2

Height increased by 30 mm.



Detail A

EP00498 / B

Isometric view  
Scale: 1:4

EXTENDED FRAME ELECTRIC TURIOS				Plan No.
				EP00498 / B
Scale: 1:4	Drafted	Verified	Confirmed	
Date	27/02/2020	15/11/2021	15/11/2021	
Initials	DB	PM	TK	