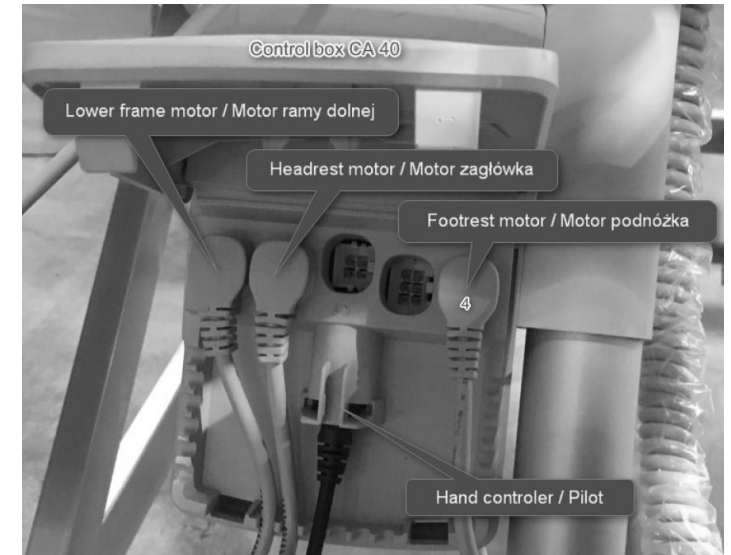
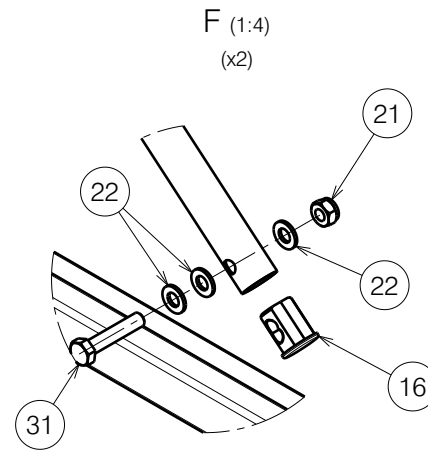
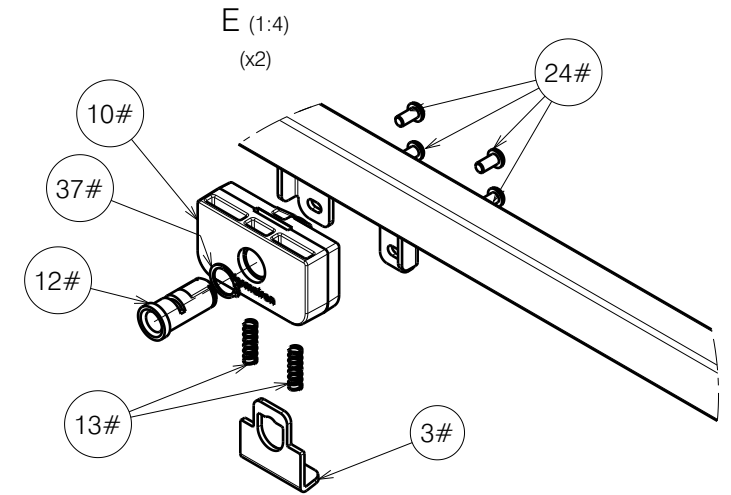
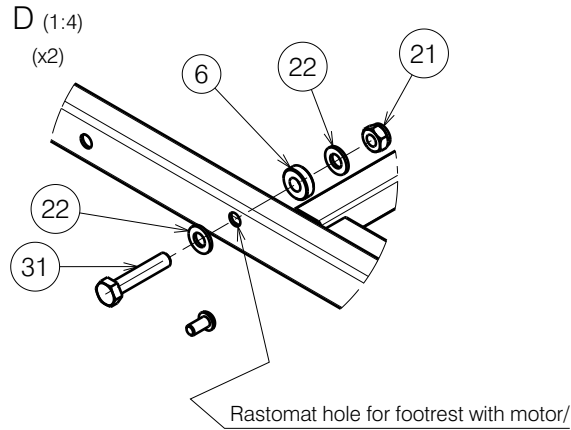


Mattress holder - way of assembly

EP00251 / K

|                                      |            |            |            |           |
|--------------------------------------|------------|------------|------------|-----------|
| FOOT SIDE WITH ABS PLATFORM / ILLICO |            |            |            | Plan No.  |
| 1/2                                  |            |            |            | EP00251/K |
| Scale: 1:8                           | Drafted    | Verified   | Confirmed  |           |
| Date                                 | 27/10/2017 | 24/08/2023 | 24/08/2023 |           |
| Initials                             | DB         | PM         | AZ         |           |

| Material |                     |         |          |
|----------|---------------------|---------|----------|
| No.      | Plan                | Article | Quantity |
| 1        | YP05880             | 27845   | 1        |
| 2        | YP05884             | 27846   | 1        |
| 3#       | YP08882             | 2629303 | 2        |
| 4        | YP06217 / Right     | 2795303 | 1        |
| 5        | YP05897 DP          | 27851   | 1        |
| 6        | X004967             | 1908262 | 2        |
| 7        | XP01792             | 2993536 | 1        |
| 8        | XP01793             | 2993537 | 1        |
| 9        | XP01794             | 2993538 | 1        |
| 10#      | XP01795             | 2993539 | 2        |
| 11       | D5,3 DIN 125        | 1000972 | 4        |
| 12#      | XP02992             | GP22400 | 2        |
| 13#      | XP01899             | GP12700 | 4        |
| 14       | XP01906             | 2993600 | 2        |
| 15       | XP01912             | 2993607 | 2        |
| 16       | XP02064             | 2993688 | 2        |
| 17       | Nut M5 DIN 986      | 1992804 | 2        |
| 18       | XP01954             | 2993706 | 2        |
| 19       | XP01975             | GP13500 | 2        |
| 20       | Nut M6 DIN 985      | 1001680 | 2        |
| 21       | Nut M8 DIN 985      | 1001682 | 8+2**    |
| 22       | D8,4 DIN 125        | 1003199 | 24+4**   |
| 23       | M6x20               | 1006999 | 2        |
| 24#      | M6x12               | 1007000 | 8        |
| 25       | Velcro 25mm         | 1990663 | 0,05m    |
| 26       | LA27                | 1903979 | 1        |
| 27       | XP02329             | 2994246 | 1        |
| 28       | M8x20               | 1992349 | 2        |
| 29       | M5x40               | 2993786 | 2        |
| 30       | M8x60 DIN 931       | 2993704 | 2+2**    |
| 31       | M8x40 DIN 931       | 2993705 | 4        |
| 32       | Pen D10x50          | 1998885 | 2        |
| 33       | Tube Cap 30x20      | 1997922 | 2        |
| 34       | Tube Cap 20x20      | 1001612 | 2        |
| 35       | Wheel D29           | 2993761 | 2        |
| 36       | Rastomat            | 1909002 | 2        |
| 37#      | DIN 471 15,7-1mm    | 2993606 | 2        |
| 38       | YP06216 / Left      | 2784803 | 1        |
| 39       | SterKnop M8x20      | 2993800 | 2        |
| 40       | Nylon rivet         | 1990752 | 2        |
| 41       | Cap Rubber 8mm      | 1001637 | 2        |
| 42*      | Motor Cable         | 1912902 | 1        |
| 43*      | Label "4" for cable | 1995838 | 1        |
| 44*      | XP01997             | 2993909 | 2**      |



\* - Not depicted

\*\* - Pack with the remote control in a string bag

# - Use only with metal side rails (EP00256 & EP00257).

Do not use with wooden bars (EP00280) and SSR (EP00493)

### FOOT SIDE WITH ABS PLATFORM / ILLICO

2/2 EP00251 / K

|            |            |            |            |
|------------|------------|------------|------------|
| Scale: 1:8 | Drafted    | Verified   | Confirmed  |
| Date       | 27/10/2017 | 24/08/2023 | 24/08/2023 |
| Initials   | DB         | PM         | AZ         |



EP00251 / K

Plan No.