

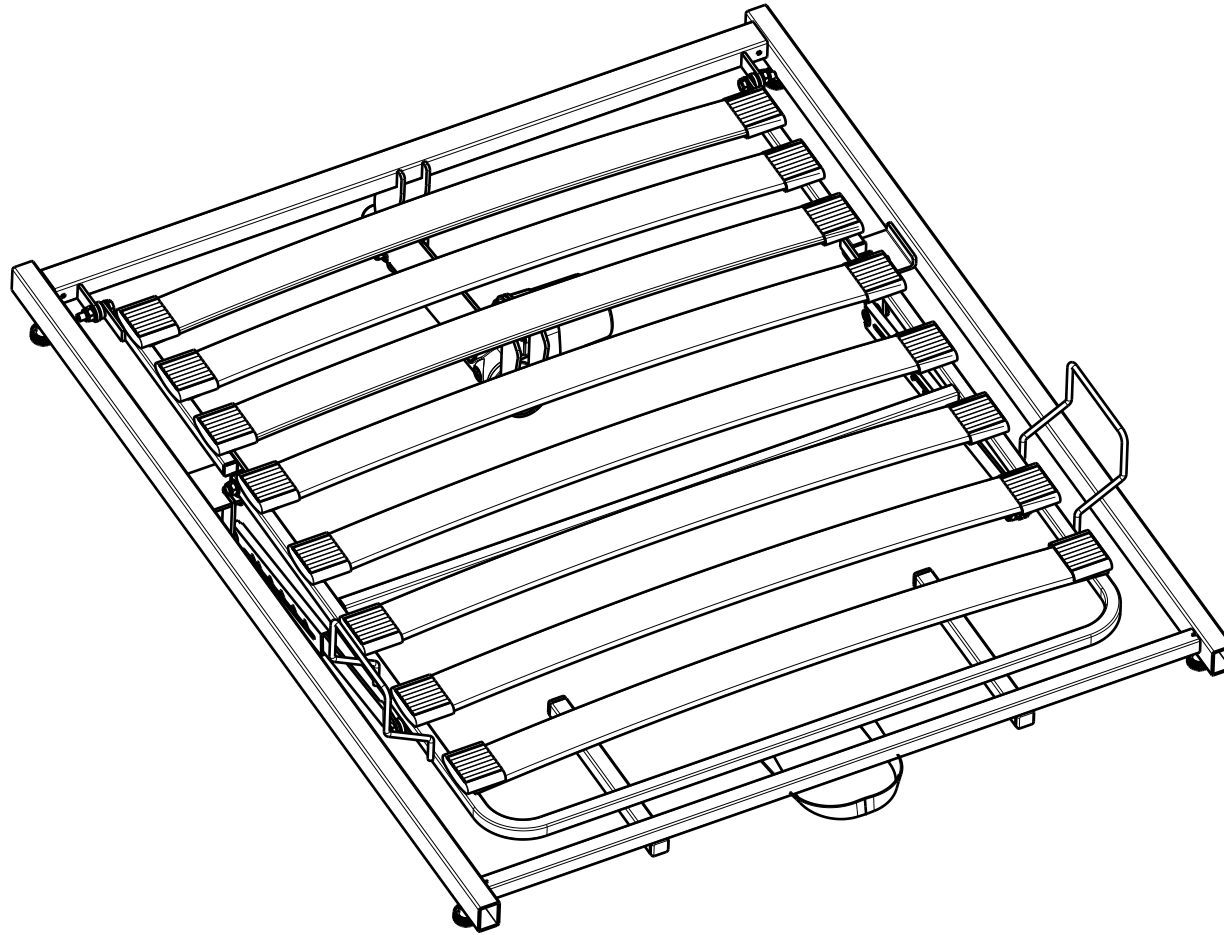
A (1:3)

NOTICE: THE INFORMATION CONTAINED ON THIS DRAWING IS PROPRIETARY TO VERMEIREN GROUP AND SHALL NOT BE DISCLOSED IN WHOLE OR IN PART, OR USED FOR ANY DESIGN OR MANUFACTURE, EXCEPT WHEN SUCH USER POSSESSES DIRECT WRITTEN AUTHORISATION FROM VERMEIREN GROUP.

FOOT SIDE WITH WOODEN LATHS / CLUB

Scale:	1:7	Drafted	Verified	Confirmed
Date	2022-10-07	2023-09-19	2023-09-19	
Initials	OY	OY	AZ	

Plan No.
E00044912/D1.1



No.	Plan	Article	Qty
1	P00033164	2650037	1
2	P00033167	2995472	16
3	P00033414	2649837	1
4	P00033428DP	2649937	1
5/5*	X001016	1001682	4/8*
6/6*	X002480	1993793	2/6*
7	XP01421	2993116	8
8	---	1001637	2
9	D8.4 DIN125	1003199	8
10	Cap 15x15	1005899	6
11	Motor LA24	1918549	1
12	P00058901	2997834	4
13	---	---	-
14	Pen D10x50	1998885	2
15	Cap 20x20	1001612	4
16*	M8x25 DIN933	1001442	4
17	M8x35 DIN933	1001444	4
18*	---	1909002	2
19*	P00045881	2997529	1
20*	D4.8x19 DIN7983	1001534	2

* - option

NOTICE: THE INFORMATION CONTAINED ON THIS DRAWING IS PROPRIETARY TO VERMEIREN GROUP AND SHALL NOT BE DISCLOSED IN WHOLE OR IN PART, OR USED FOR ANY DESIGN OR MANUFACTURE, EXCEPT WHEN SUCH USER POSSESSES DIRECT WRITTEN AUTHORISATION FROM VERMEIREN GROUP.

FOOT SIDE WITH WOODEN LATHS / CLUB

Scale: 1:7	Drafted	Verified	Confirmed
Date	2022-10-07	2023-09-19	2023-09-19
Initials	OY	OY	AZ

Plan No.
E00044912/D1.1