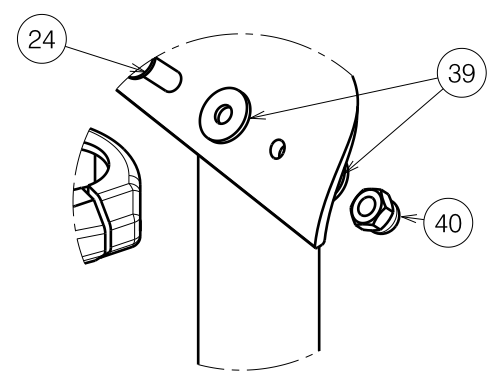


<h1>FRAME ALTITUDE 2008</h1>				Plan No. / Plannr.
				E000407/M
Scale / Schaal: 1:100	Drafted / Getekend	Verified / Nagezien	Confirmed / Bevestigd	
Date / Datum	08/11/2007	22/03/2018	22/03/2018	
Init. / Init.	SD	TT	PJ	

Material / Materiaal							
No. / Nr.	Plan	Article / Artikel	Number / Aantal	No. / Nr.	Plan	Article / Artikel	Number / Aantal
1	X001016	1001682	12	22	---	1006057	2
2	X001158	G003317	1	23	---	1006111	4
3	X001398	1009689	2	24	---	1008459	7
4	X003894	1677100	2	25	---	1008739	1
5	XP00373	1866200	2	26	---	1900008	2
6	XP01250	2992293	1	27	---	1992717	1
7	Y011652	1655200	2	28	---	1991858	4
8	Y011660	1655500	2	29	---	1992510	2
9	Y012585	16770..	1	30	---	1994473	2
10	Y012830	1677382	1	31	---	1996806	1
11	Y012834	1677404	1	32	---	1991628	1
12	YP00541	1821654	1	33	---	1902148	4
13	YP00683	1818100	2	34	---	1997798	1
14	YP00692	18215..	2	35	---	1901942	1
15	YP00693	18219..	2	36	X003646	1999963	1
16	YP00709	18217..	1	37	X004135	1902490	1
17	YP00734	18268..	1	38	---	1901130	1
18	---	1001611	4	39	---	1005138	4
19	---	1001680	6	40	---	1008492	3
20	---	1001683	5	41	Y016186	1730682	1
21	---	1003199	3	42	---	1996871	1
				43	XP01981	2993734	2

Detail D
Scale / Schaal 1:2



<h1>FRAME ALTITUDE 2008</h1>				Plan No. / Plannr.
				E000407/M
Scale / Schaal:11:100	Drafted / Getekend	Verified / Nagezien	Confirmed / Bevestigd	
Date / Datum	08/11/2007	22/03/2018	22/03/2018	
Init. / Init.	SD	TT	PJ	