

1:5

Bill of Material			
No.	Plan	Article	Quantity
1	P00065384	2679165	1
2	P00065219	2679265	1
3	P00065394	2679365	1
4	P00065220	2679465	1
5	Controller	1919239	1
6	XP02584	2994386	8
7	M5x20 DIN 912	1915452	4
8	M5 DIN125A	2994069	8
9	M5 DIN986	2994902	4
10	M5x10 DIN912	2994124	1
11	Pin M8	2998094	1
12	M6x16 DIN7991	2994064	2
13	Nut M8	1996213	1
14	M5x25 DIN912	2994906	1

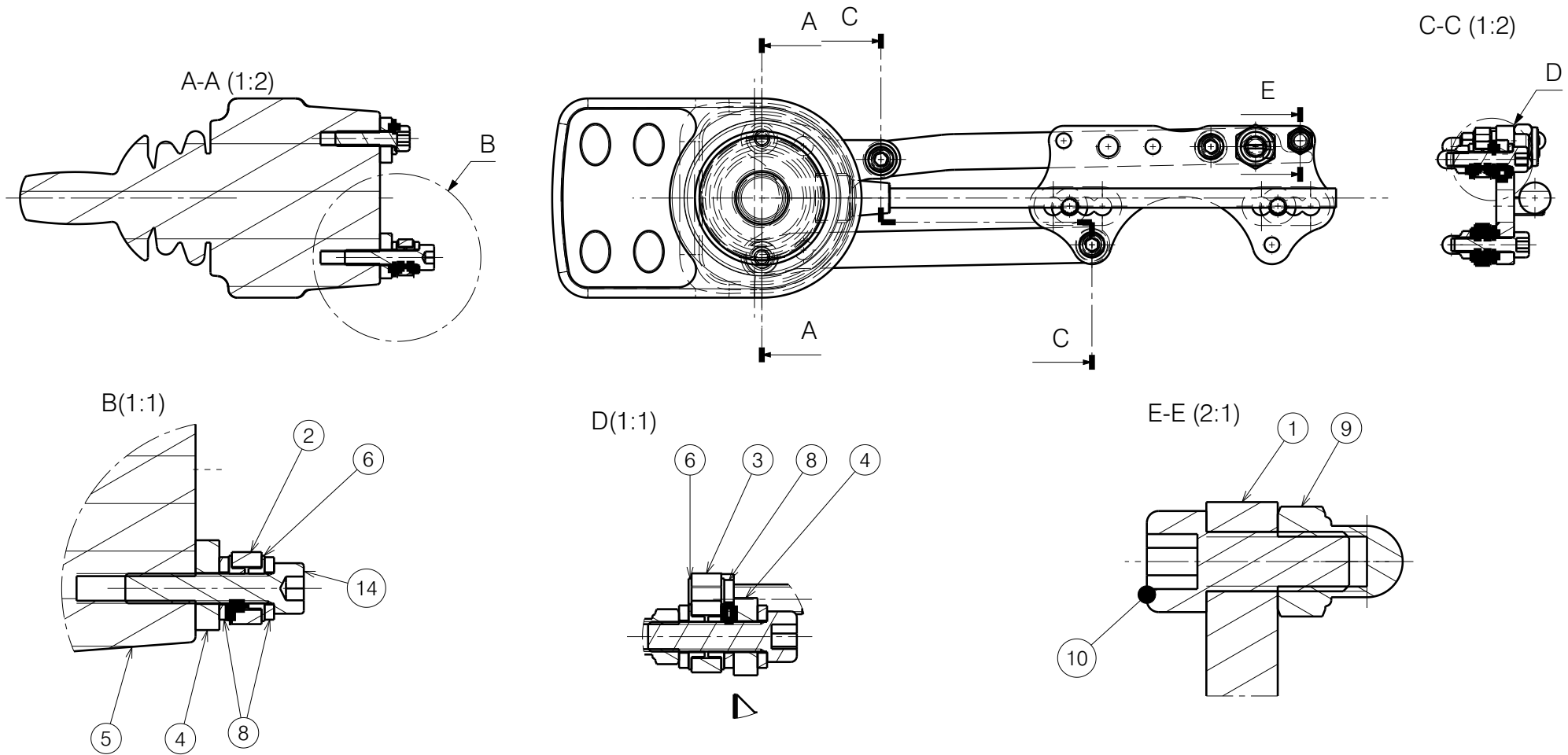
\*Use: WEICONLOCK AN 302-43

NOTICE: THE INFORMATION CONTAINED ON THIS DRAWING IS PROPRIETARY TO VERMEIREN GROUP AND SHALL NOT BE DISCLOSED IN WHOLE OR IN PART, OR USED FOR ANY DESIGN OR MANUFACTURE, EXCEPT WHEN SUCH USER POSSESSES DIRECT WRITTEN AUTHORISATION FROM VERMEIREN GROUP.

2998023

Plan No.  
E00065217/C.1

SWING AWAY RIGHT PLEGO			
Scale: 1:2	Drafted	Verified	Confirmed
Date	08/05/2023	05/02/2024	05/02/2024
Initials	BK	WM	MK



NOTICE: THE INFORMATION CONTAINED ON THIS DRAWING IS PROPRIETARY TO VERMEIREN GROUP AND SHALL NOT BE DISCLOSED IN WHOLE OR IN PART, OR USED FOR ANY DESIGN OR MANUFACTURE, EXCEPT WHEN SUCH USER POSSESSES DIRECT WRITTEN AUTHORISATION FROM VERMEIREN GROUP.

2998023  
Plan No.  
E00065217/C.1

SWING AWAY RIGHT PLEGO

Scale:	1:2	Drafted	Verified	Confirmed
Date	08.05.2023	02/05/2024	02/05/2024	
Initials	BK	WM	TK	

