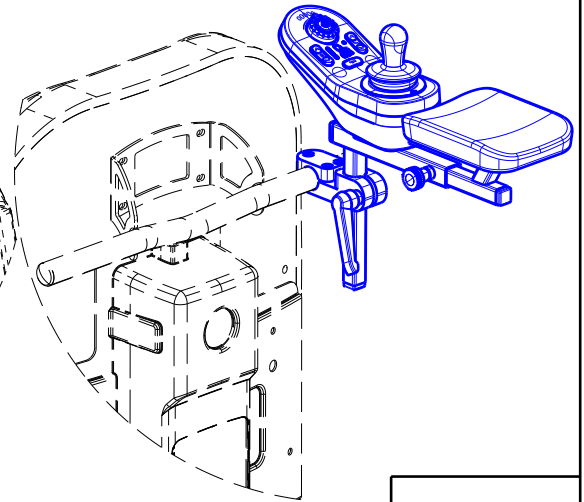
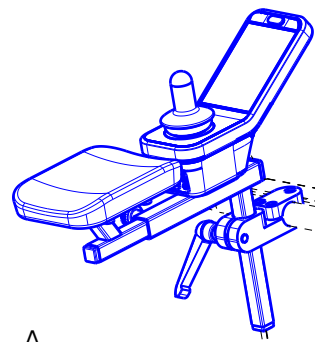
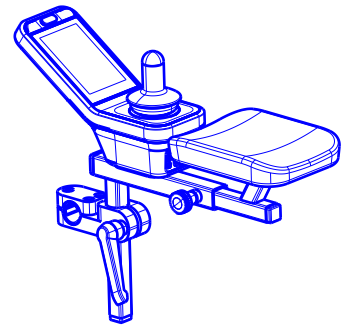


- (A) for tube $\phi 22.2$
- (B) for tube $\phi 25.4$
- (A) + (*) for tube $\phi 19$
- * - use only for tube $\phi 19$



No.	Plan	Article	Qty
1	P00119117	2920554	1
2	P00120503	2920654	1
3*	P00120504	2920754	1
4	X003779	1900228	1
5	XP01417 (A) X005632 (B)	2706799 2037299	1 1
6	XP01418 (A) X005633 (B)	2706899 2037399	1 1
7	Cap 15x15	1005899	3
8	M5x10 ISO7380	1007063	2
9	M6x16 DIN912 (Black)	2994065	2
10	M6x20 DIN912 (Black)	2994004	3
11	Sterknop M5x15	1909529	1
12	Lever M8x30	1005860	1
13	Cap 20x20	1001612	1

NOTICE: THE INFORMATION CONTAINED ON THIS DRAWING IS PROPRIETARY TO VERMEIREN GROUP AND SHALL NOT BE DISCLOSED IN WHOLE OR IN PART, OR USED FOR ANY DESIGN OR MANUFACTURE, EXCEPT WHEN SUCH USER POSSESSES DIRECT WRITTEN AUTHORISATION FROM VERMEIREN GROUP.

SE47 FOR ELECTROS

Scale:	1:3	Drafted	Verified	Confirmed
Date	22.01.2026	26/01/2026	26/01/2026	
Initials	AZ	AZ	MK	

Plan No.
E00120998/A.1

Use (3*) with clamps (A) for backrest tube $\phi 19$