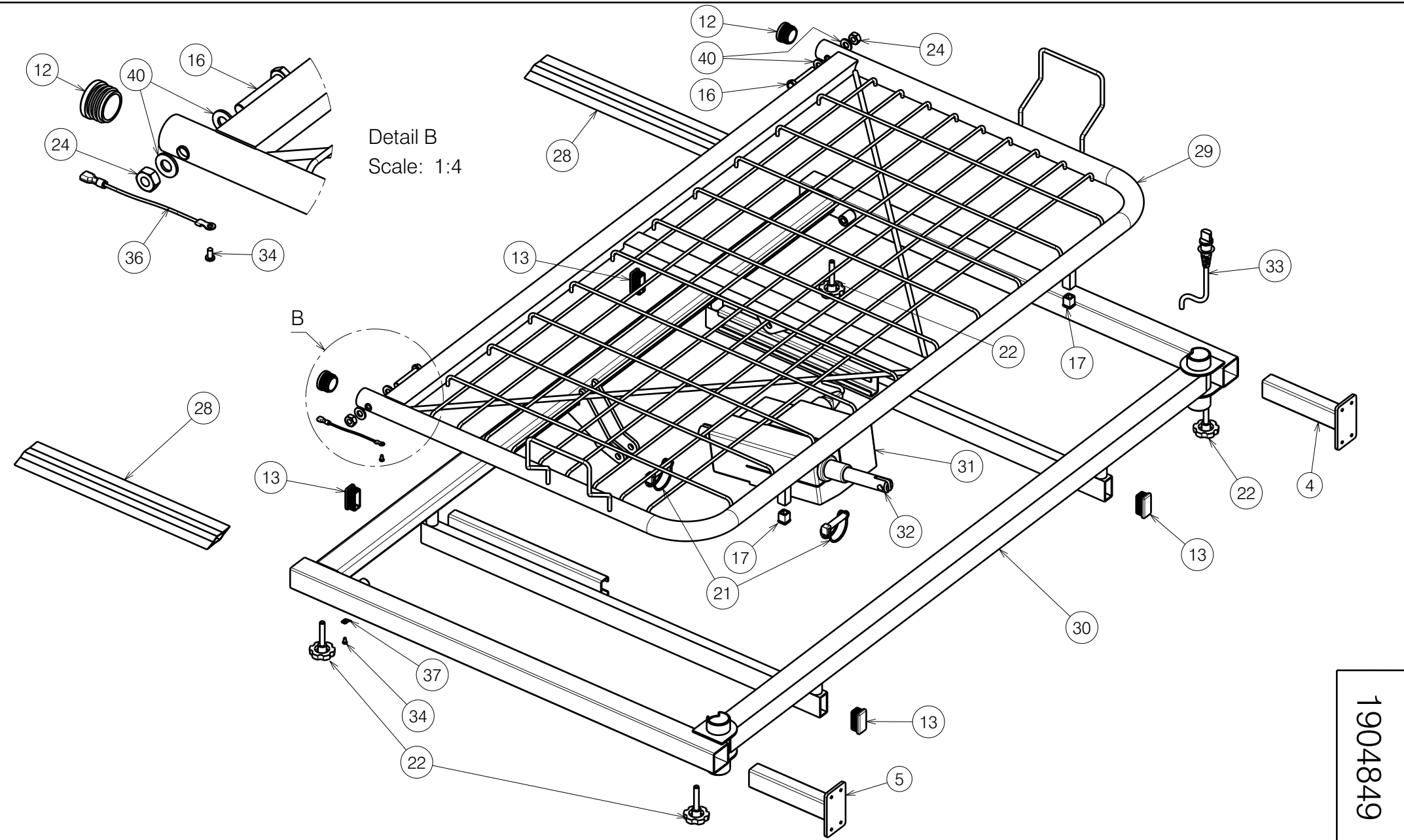


1904849

<p>FOOT AND HEAD SIDE 977E / 140 Sheet 1/3: Foot Side</p>			
Scale / Schaal: 1:8	Drafted / Getekend	Verified / Nagezien	Confirmed / Bevestigd
Date / Datum	30/09/2008	29/09/2022	29/09/2022
Init. / Init.	TM	SD	PJ

Plan No. / Plannr.
E000506/K

Detail A
Scale: 1:4



1904849

FOOT AND HEAD SIDE 977E / 140			Plan No. / Plannr.
Sheet 2/3: Head Side			E000506/K
Scale / Schaal: 1:8	Drafted / Getekend	Verified / Nagezien	Confirmed / Bevestigd
Date / Datum	30/09/2008	29/09/2022	29/09/2022
Init. / Init.	TM	SD	PJ




Material / Materiaal			
No. / Nr.	Plan	Article / Artikel	Number
1	X001016	1001682	4
2	X001158	G003317	2
3	X002308	1993121	4
4	Y004196	15090..	2
5	Y004197	15091..	2
6	Y013976	16979..	1
7	Y014045	16981..	1
8	Y014134	16983..	1
9	M8x30 DIN933/8.8	1001443	2
10	M8x50 DIN933/8.8	1001446	2
11	M6x25 DIN912/8.8	1001494	2
12	Ø32	1001610	4
13	40x20	1001615	8
14	M6 DIN985	1001680	2
15	M8 DIN125	1003199	6
16	M10x53/8.8	1551600	4
17	15x15	1005899	6
18	M6x25	1006998	4
19	X002326	1991982	2
20	M8x20	1001580	2
21	Ø10x50	1998885	4
22	M8x45	2990016	6
23	---	1903437	1
24	M10	1903216	4
25	Y004576	15120..	1

Material / Materiaal			
No. / Nr.	Plan	Article / Artikel	Number
26	Øx16	1003021	2
27	---	1901059	1
28	Y004202	15163..	2
29	Y014012	16980..	1
30	Y014138	16984..	1
31	---	1999754	1
32	---	1903436	1
33	---	1902971	1
34	Ø3.9x9.5 DIN7981	1001530	7
35	---	1999943	1
36	XP00531	2990620	3
37	Ø6.3	2990651	4
38	---	T001065	1
39	Ø4x11	1001583	4
40	Ø21xØ10.5x2	1001557	8

Sheet 3/3

1904849

FOOT AND HEAD SIDE 977E / 140				Plan No. / Plannr.
				E000506/K
Scale / Schaal: 1:8	Drafted / Getekend	Verified / Nagezien	Confirmed / Bevestigd	
Date / Datum	30/09/2008	29/09/2022	29/09/2022	
Init. / Init.	TM	SD	PJ	