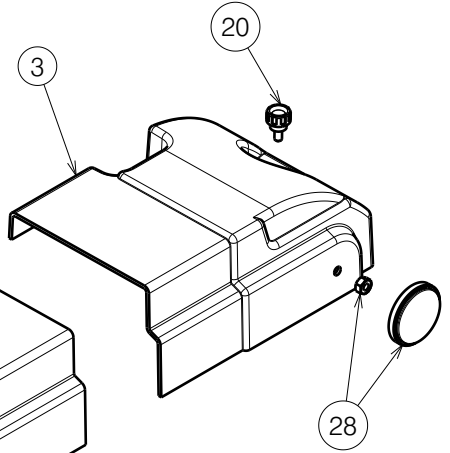
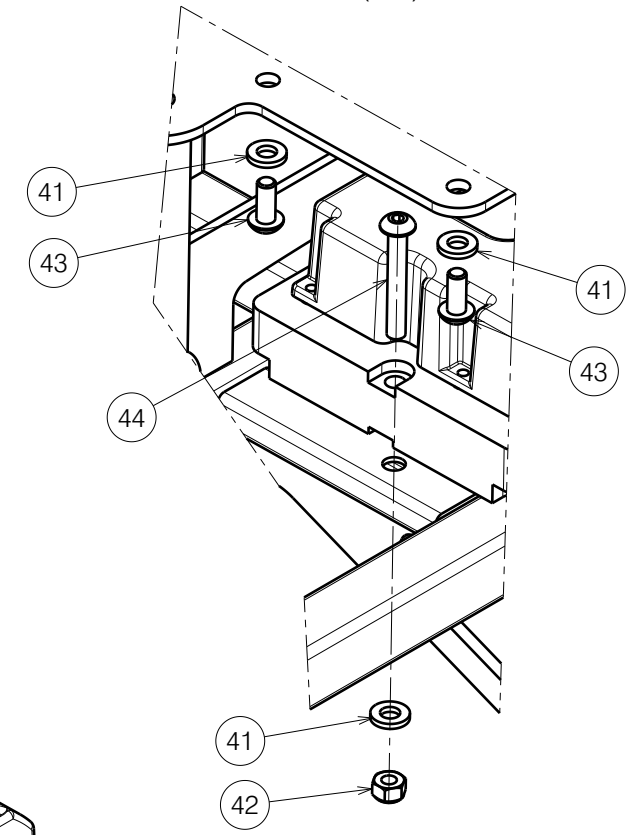


Detail A (1:2)

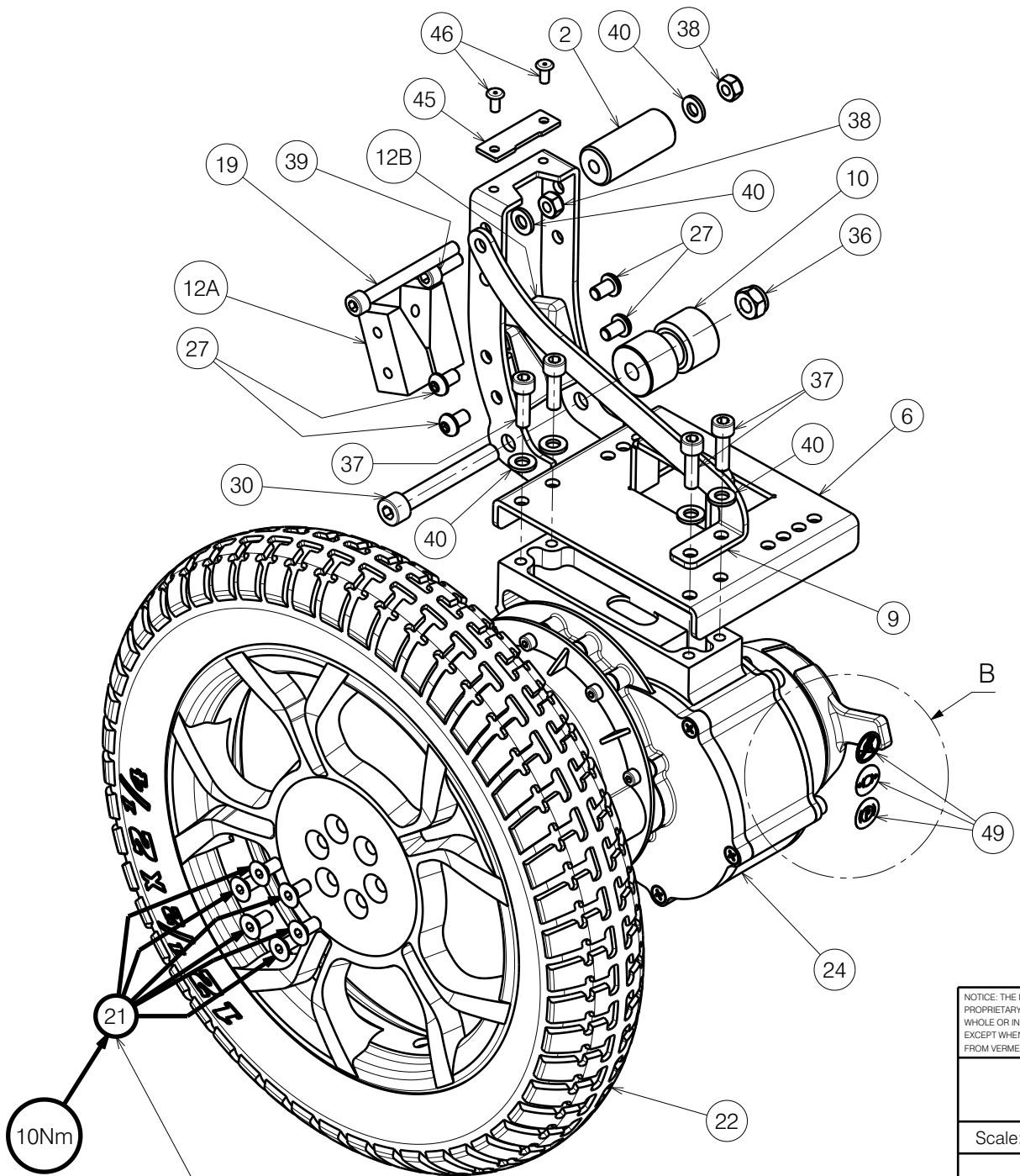


NOTICE: THE INFORMATION CONTAINED ON THIS DRAWING IS PROPRIETARY TO VERMEIREN GROUP AND SHALL NOT BE DISCLOSED IN WHOLE OR IN PART, OR USED FOR ANY DESIGN OR MANUFACTURE, EXCEPT WHEN SUCH USER POSSESSES DIRECT WRITTEN AUTHORISATION FROM VERMEIREN GROUP.

Sheet 1/4 - CENTER FRAME 2995846

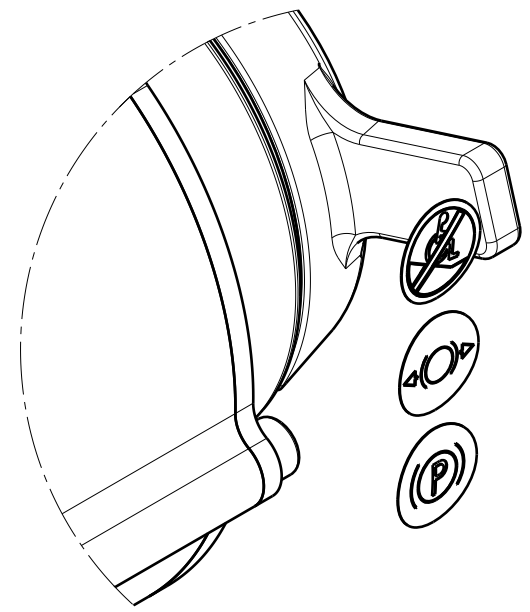
VERSO REAR FRAME			
Scale:	1:5	Drafted	Verified
Date	15/03/2023	8/03/2024	8/03/2024
Initials	SD	PM	MK

Plan No.  
E00054636/J.1



use WEICONLOCK AN 302-43

Detail View B (1:1)



NOTICE: THE INFORMATION CONTAINED ON THIS DRAWING IS PROPRIETARY TO VERMEIREN GROUP AND SHALL NOT BE DISCLOSED IN WHOLE OR IN PART, OR USED FOR ANY DESIGN OR MANUFACTURE, EXCEPT WHEN SUCH USER POSSESSES DIRECT WRITTEN AUTHORISATION FROM VERMEIREN GROUP.

Sheet 2/4 - LEFT FRAME

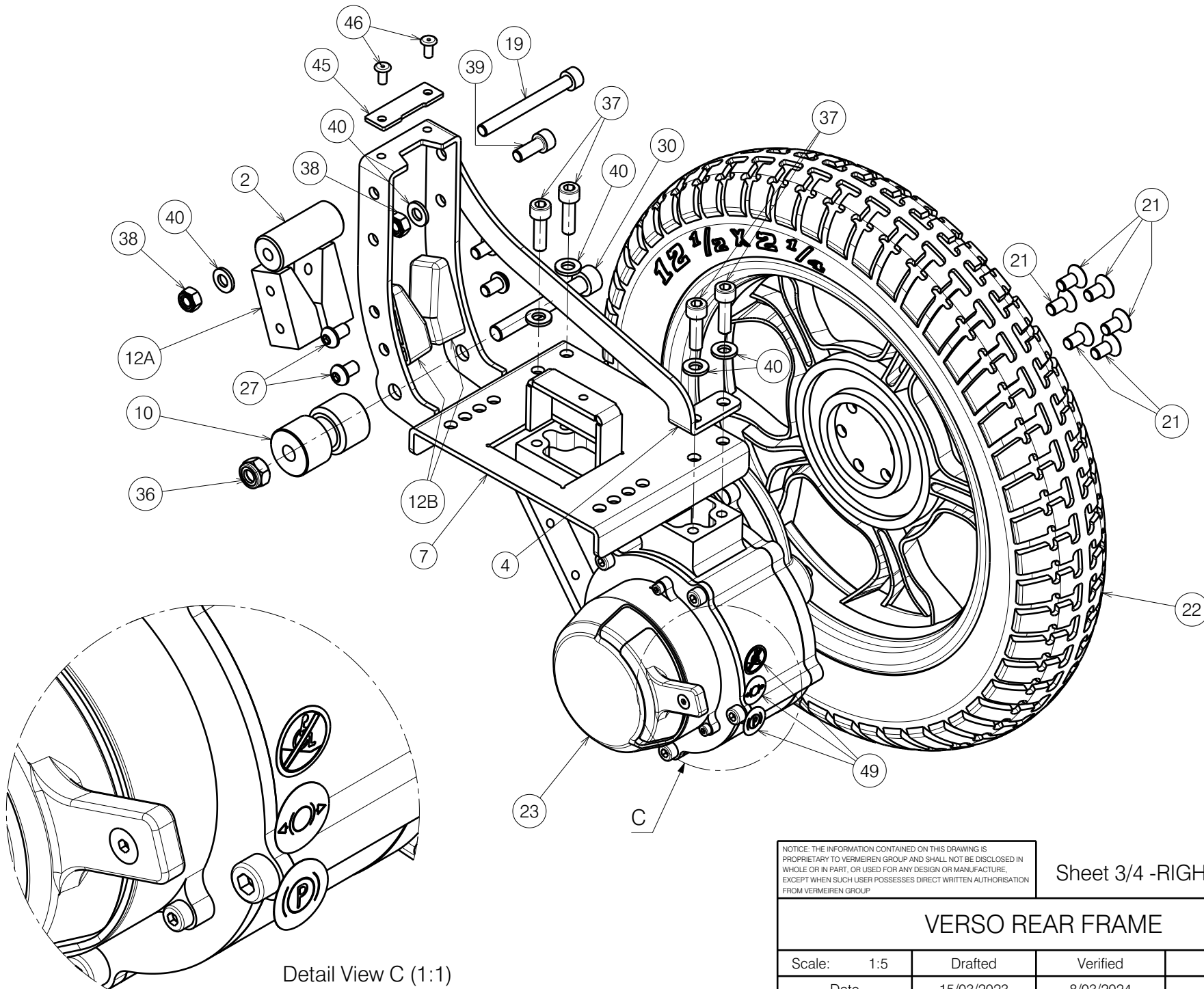
2995846

VERSO REAR FRAME

Plan No.  
E00054636/J.1

Scale:	1:5	Drafted	Verified	Confirmed
Date	15/03/2023	8/03/2024	8/03/2024	
Initials	SD	PM	MK	





Detail View C (1:1)

NOTICE: THE INFORMATION CONTAINED ON THIS DRAWING IS PROPRIETARY TO VERMEIREN GROUP AND SHALL NOT BE DISCLOSED IN WHOLE OR IN PART, OR USED FOR ANY DESIGN OR MANUFACTURE, EXCEPT WHEN SUCH USER POSSESSES DIRECT WRITTEN AUTHORISATION FROM VERMEIREN GROUP.

Sheet 3/4 -RIGHT FRAME

2995846

VERSO REAR FRAME

Plan No.

E00054636/J.1

Scale:	1:5	Drafted	Verified	Confirmed
Date	15/03/2023	8/03/2024	8/03/2024	
Initials	SD	PM	MK	



BOM

No.	Plan	Article	Qty	No.	Plan	Article	Qty
1	P00020369	2083065	1	25	M6x12 ISO7380	3992768	4
2	P00020371	G104100	2	27	M6x10 ISO7380	2994127	8
3	P00020809	1918820	1	28	D40 M6x12	1919548	2
4	P00020866	2084965	1	29	M6x30 DIN912	1915911	4
5	P00020874	1918819	1	30	M8x60 DIN912	1915946	2
6	P00023432	2083165	1	31	---	1918833	1
7	P00023433	2083265	1	32	24V - 12Ah	1918834	1
8	P00038141	2083465	1		24V - 17Ah	1919283	1
9	P00043092	2084865	1	33	nVR2	1919238	1
10	P00043097	G104200	2	34	nVR2	1919240	1
11	P00050295	G104000	2	35	M8x12	1999934	1
12A*	P00052130	1919575	4	36	M8 DIN985	2994009	2
12B**	P00053698	1919598	4	37	M6x20 DIN912	2994004	8
13	P00053246	2086371 (std.)	1	38	M6 DIN985	2994063	10
		2086381 (LB)	1	39	M6x16 DIN912	2994065	2
		20863C5 (LG)	1	40	M6 DIN125	2994414	12
		20863A3 (OR)	1	41	M5 DIN125	2994069	12
15	X004747	1906057	4	42	M5 DIN985	2994006	2
18	20x20	1001612	1	43	M5x12 ISO7380	2994074	4
19	M6x60 DIN912	2995262	2	44	M5x35 ISO7380	2990115	2
20	M5x10	1911896	2	45	P00057696	2086600	2
21	M6x12 DIN7991	3994672	12	46	D4x8 DIN7337A	2995886	4
22	12" Bl.	3994671	2	47	D4.2X10 DIN7981	3991106	6
23	200W - 24V	3994670 (R)	1	48***	CHARGER	1919284	1
24	200W - 24 V	3994669 (L)	1	49	---	1995235	2

- \* CNC version
- \*\* Injected version
- \*\*\* Not depicted

NOTICE: THE INFORMATION CONTAINED ON THIS DRAWING IS PROPRIETARY TO VERMEIREN GROUP AND SHALL NOT BE DISCLOSED IN WHOLE OR IN PART, OR USED FOR ANY DESIGN OR MANUFACTURE, EXCEPT WHEN SUCH USER POSSESSES DIRECT WRITTEN AUTHORISATION FROM VERMEIREN GROUP.

Sheet 4/4 -BOM

2995846

VERSO REAR FRAME

Plan No.

E00054636/J.1

Scale: 1:5	Drafted	Verified	Confirmed
Date	15/03/2023	8/03/2024	8/03/2024
Initials	SD	PM	MK

