
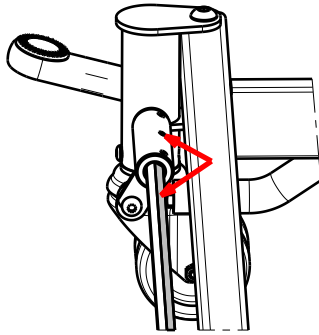


EP00357 / F

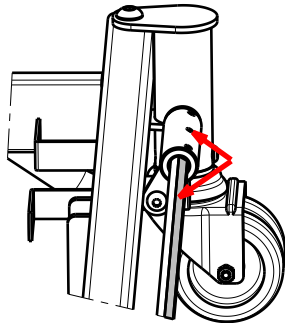
CENTRAL BRAKE FOR BOTH SIDES / ILLICO				Plan No.
				EP00357 / F
Scale: 1:8	Drafted	Verified	Confirmed	
Date	06/11/2018	05/05/2022	05/05/2022	
Initials	DR	PM	TK	

Way of assembly 27339 on footside rod /
Sposob montazu 27339 na precie po stronie podnozka:



Tighten the bolts on marked surface /
Dokrecic sruby na zaznaczonej powierzchni


Way of assembly 27339 on headside rod /
Sposob montazu 27339 na precie po stronie zaglowka:



Tighten the bolts on marked surface /
Dokrecic sruby na zaznaczonej powierzchni

Material			
No.	Plan	Article	Quantity
1	XP02300	2996460	2
2	YP06673	2733700	1
3	YP06674	2733800	1
4	YP06937	2733482	2
5	YP06938	2733582	1
6	YP06939	2733682	1
7	YP06940	2733982	2
8	YP09370	2645982	1
9	Nut M8 DIN985	1001682	2
10	Nut M10 DIN 985	1001683	4
11	Washer M8 DIN125	1003199	1
12	Wheel D75	1905247	4
13	M6x6	1906051	12
14	Plug Red	1911604	2
15	Plug Green	1912499	2
16	X005824	1914581 (L)	1
17	X005825	1914582 (R)	1
18	M8x40	1008739	1
19	Washer D13 Plastic	1993362	2
20	M6x6 DIN916	1998138	6
21	M10x90	1998812	4
22	XP02423	2996532	1
23	M8x30	1992717	1
24	X000299	G000662	1
25	M8x60 DIN444LB	1904677	1
26	Nut M8 DIN934	1001671	1

EP00357 / F

CENTRAL BRAKE FOR BOTH SIDES / ILLICO 2/2				Plan No.
				EP00357 / F
Scale: 1:8	Drafted	Verified	Confirmed	
Date	06/11/2018	05/05/2022	05/05/2022	
Initials	DR	PM	TK	