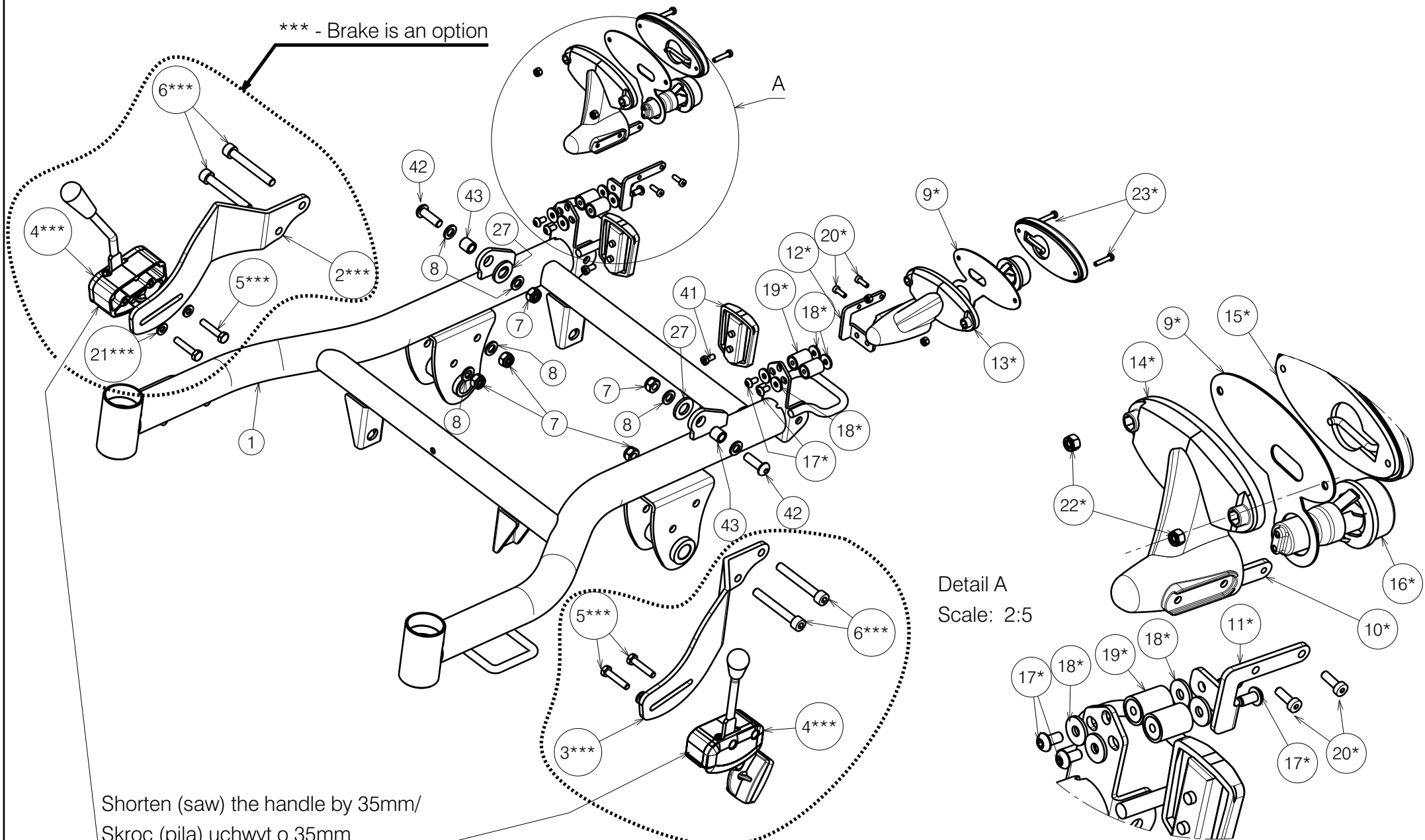


*** - Brake is an option



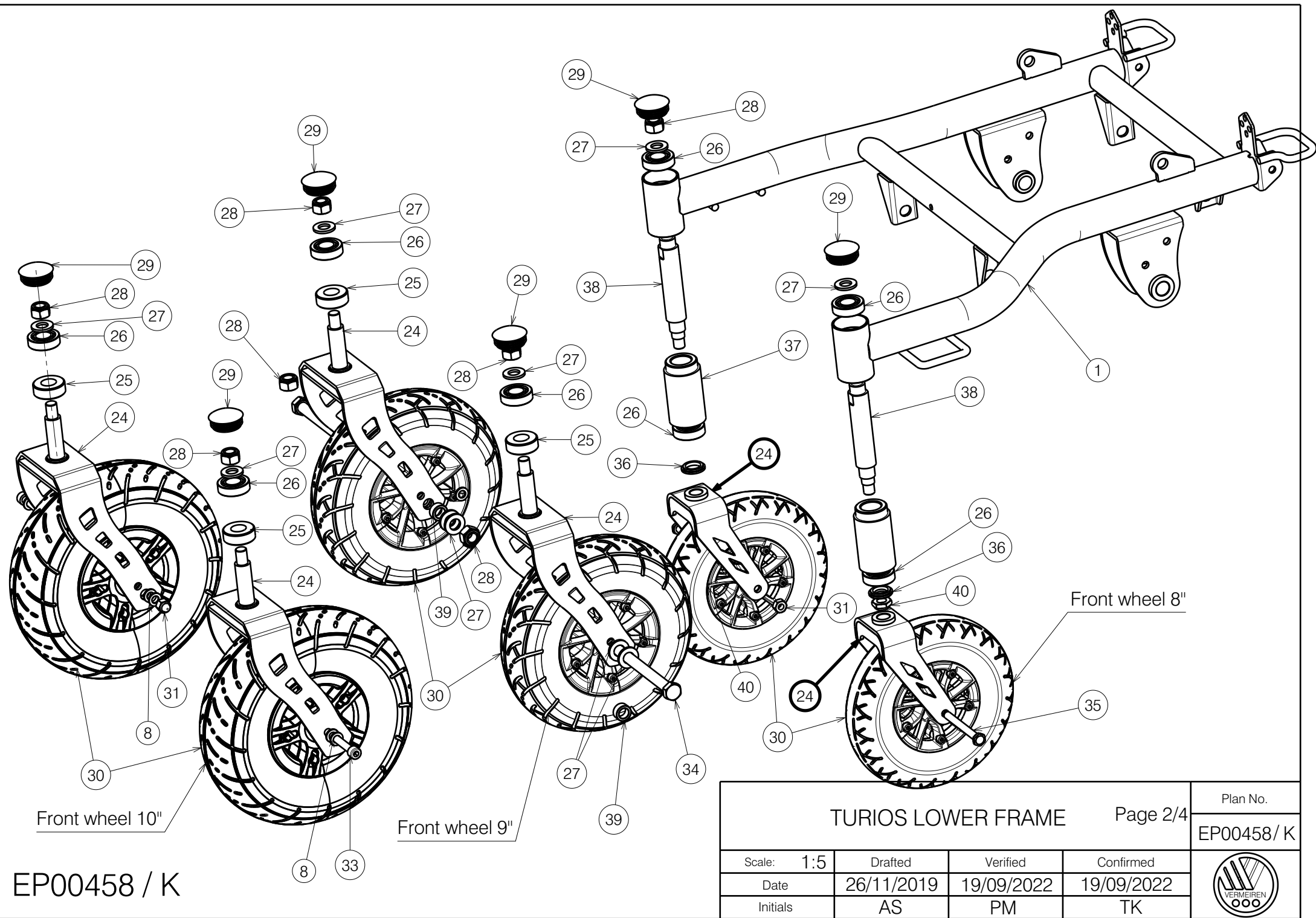
Detail A
Scale: 2:5

Shorten (saw) the handle by 35mm/
Skroc (pila) uchwyt o 35mm

*** - Brake is an option

EP00458 / K

TURIOS LOWER FRAME				Plan No.
Page 1/4				EP00458/ K
Scale: 1:5	Drafted	Verified	Confirmed	
Date	26/11/2019	19/09/2022	19/09/2022	
Initials	AS	PM	TK	




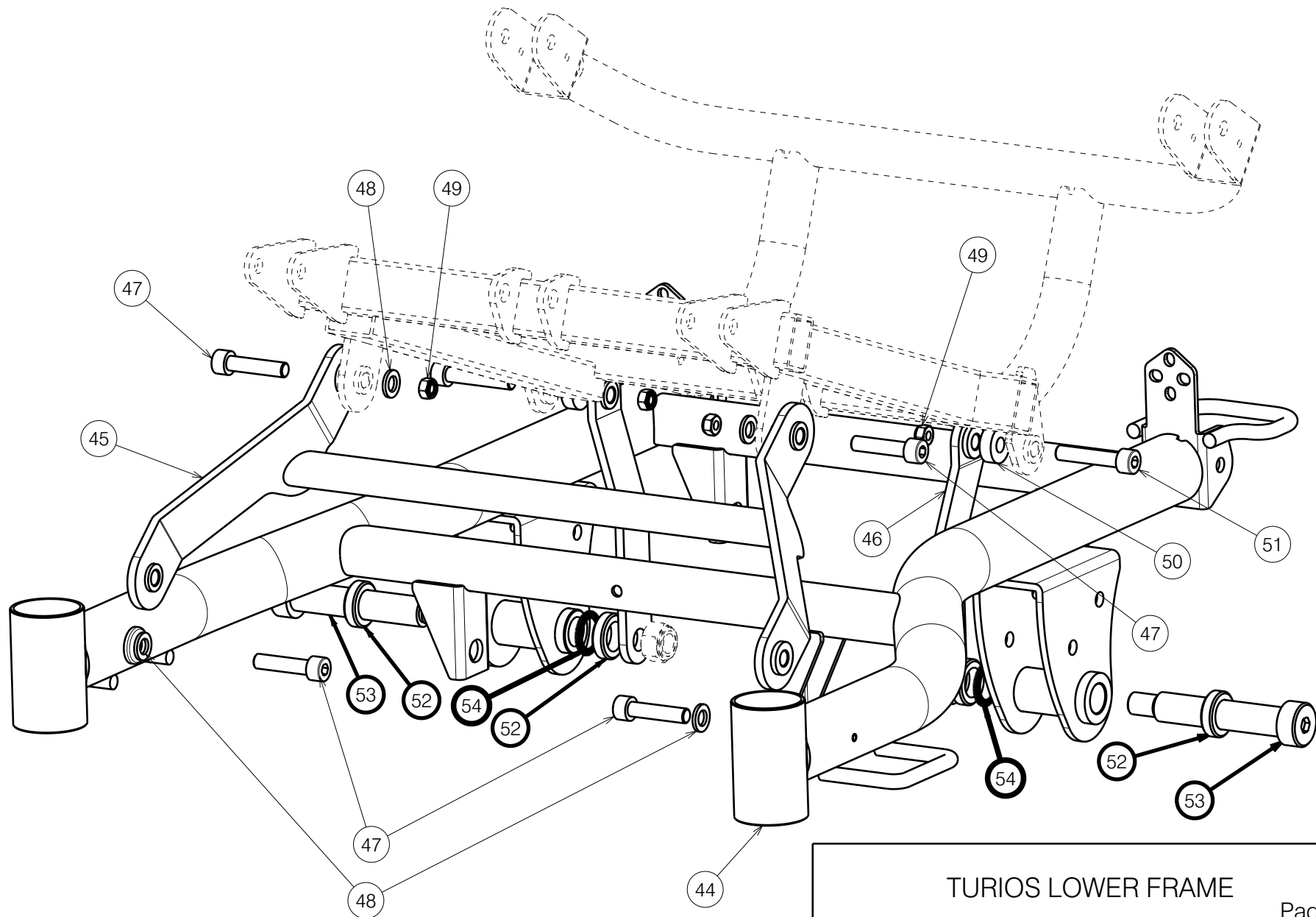
Front wheel 10"

Front wheel 9"


Front wheel 8"

EP00458 / K

TURIOS LOWER FRAME			Page 2/4	Plan No. EP00458/ K
Scale: 1:5	Drafted	Verified	Confirmed	
Date	26/11/2019	19/09/2022	19/09/2022	
Initials	AS	PM	TK	



EP00458 / K

TURIOS LOWER FRAME				Plan No.
Page 3/4				EP00458/ K
Scale: 1:5	Drafted	Verified	Confirmed	
Date	26/11/2019	19/09/2022	19/09/2022	
Initials	AS	PM	TK	

Material			
No.	Plan	Article	Quantity
1	YP07408	27766...	1
2***	YP07878	2601554	1
3***	YP07879	2601654	1
4***	Break Left	1915780	1
	Break Right	1915781	1
5***	M6x16	1001429	4
6***	M8x60	1997781	4
7	M8	1001682	6
8	Washer M8	1001556	8/12**
9*	Y017936	1759054	2
10*	Y019695	1786554	2
11*	YP07725	2601254	1
12*	YP07726	2601454	1
13*	X004940	1907374	1
14*	X004939	1907375	1
15*	---	1907338	2
16*	---	1991679	2
17*	M5x10	2991862	8
18*	M5DIN9021	1005138	8
19*	---	1910745	4
20*	M4x12	1907582	4
21***	Washer M6	2994068	4
22*	M4	1907202	4
23*	M4x20	1001466	4
27	Washer M12	1001561	2
42	M8x25	1990501	2
43	XP02897	GP21900	2

*Option SE19

** for 10" wheels

*** Brake is an option

Front wheel 10"			
No.	Plan	Article	Quantity
24	YP07884	2601754	2
25	X005589	1912549	2
26	---	1001409	2
27	Washer M12	1001561	2
28	M12	1001684	2
29	---	1001611	2
30	Wheel R260 Grey Air	1908331 (L)	1
	Wheel R260 Grey Air	1908332 (R)	1
	Wheel R260 Black Air	1915161 (R)	1
	Wheel R260 Black Air	1915160 (L)	1
	Wheel R260 Black Air	1915159 (R/L)	2
31	M8	1902024	2
32	---	---	-
33	M8X120	1994676	2

Front wheel 9"			
No.	Plan	Article	Quantity
24	YP07884	2601754	2
25	X005589	1912549	2
26	---	1001409	2
27	Washer M12	1001561	10
28	M12	1001684	4
29	---	1001611	2
30	Wheel R225 Black Air	1915166 (L)	1
	Wheel R225 Black Air	1915346 (R)	1
	Wheel R225 Black	1915167 (L)	1
	Wheel R225 Black	1915347 (R)	1
31	---	---	---
32	---	---	---
33	---	---	---
34	M12x120	1003141	2
39	XP02880	GP21500	4

Front wheel 8"			
No.	Plan	Article	Quantity
24	YP08852	2628654	2
25	---	---	---
26	---	1001409	2
27	Washer M12	1001561	4
28	M12	1001684	2
29	---	1001611	2
30	Wheel R200 Black	1915170(L/R)	2
	Wheel R200 Black Air	1915168(L/R)	2
	Wheel R200 Grey Air	1915169(L/R)	2
31	M8	1998994	2
32	---	---	---
33	---	---	---
34	---	---	---
35	M8x75	1006110	2
36	XP02852	GP21200	2
37	XP02843	GP21054	2
38	XP02804	GP206	2
39	---	---	---
40	M12	1994605	2
41	Reflector (red)	1000999	2

Electric version			
No.	Plan	Article	Quantity
44	YP09066	26347	1
45	YP09092	26341	1
46	YP09098	26344	2
47	M8x35	1007516	4
48	M8 DIN125	1001556	4
49	Nut M8	2994063	6
50	X005383	1911710	2
51	M8x40	1001500	2

Electric version			
No.	Plan	Article	Quantity
52	X000203	G000791	4
53	---	1907488	2
54	---	1911653	2

TURIOS LOWER FRAME				Plan No.
				EP00458/ K
Scale: 1:5	Drafted	Verified	Confirmed	
Date	26/11/2019	19/09/2022	19/09/2022	
Initials	AS	PM	TK	



EP00458 / K