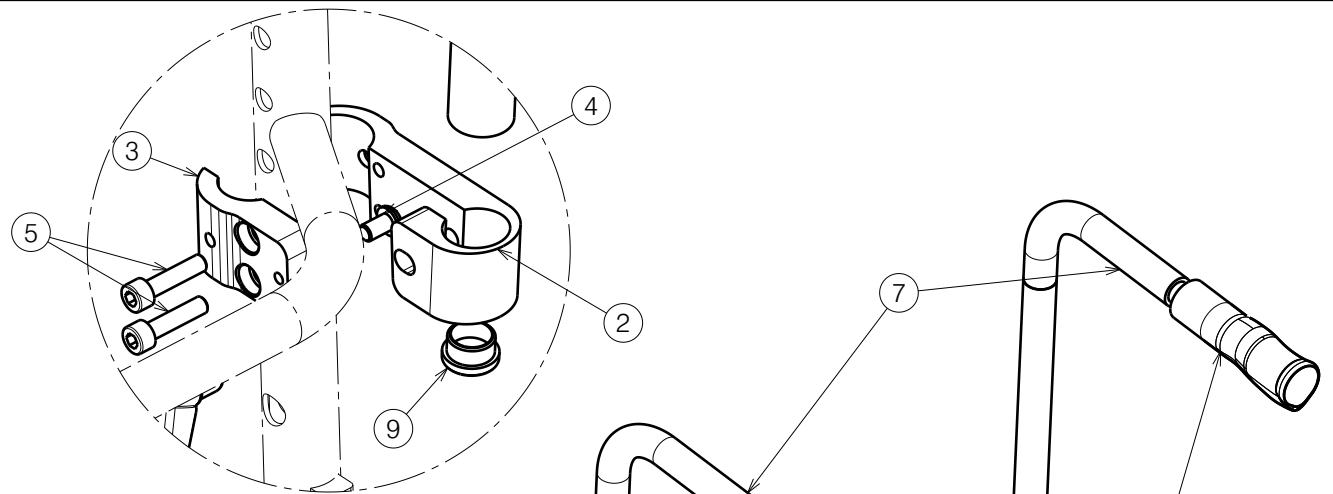
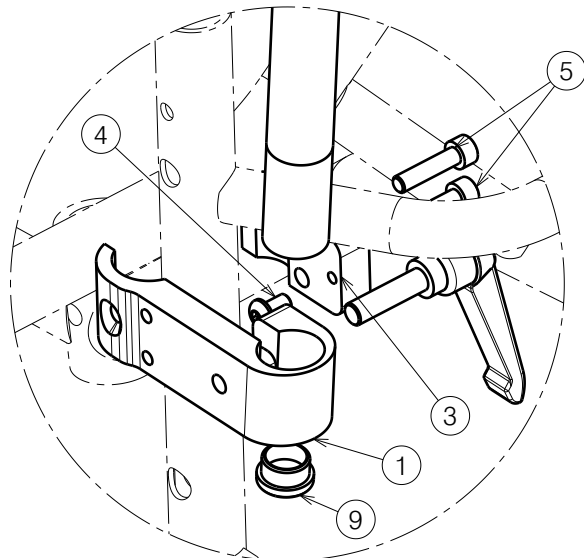


Material			
No.	Plan	Article	Quantity
1	XP03435	2998454	1
2	XP03436	2998554	1
3	XP00935	2836854	2
4	M6x10	1900641	2
5	M6X25 DIN 912	1001494	4
6	HV8x30	1005860	2
7	YP06946	2769399	2
8*	GR-ERGO-S	2993810	2
9	Tube plug Ø19	1001602	2

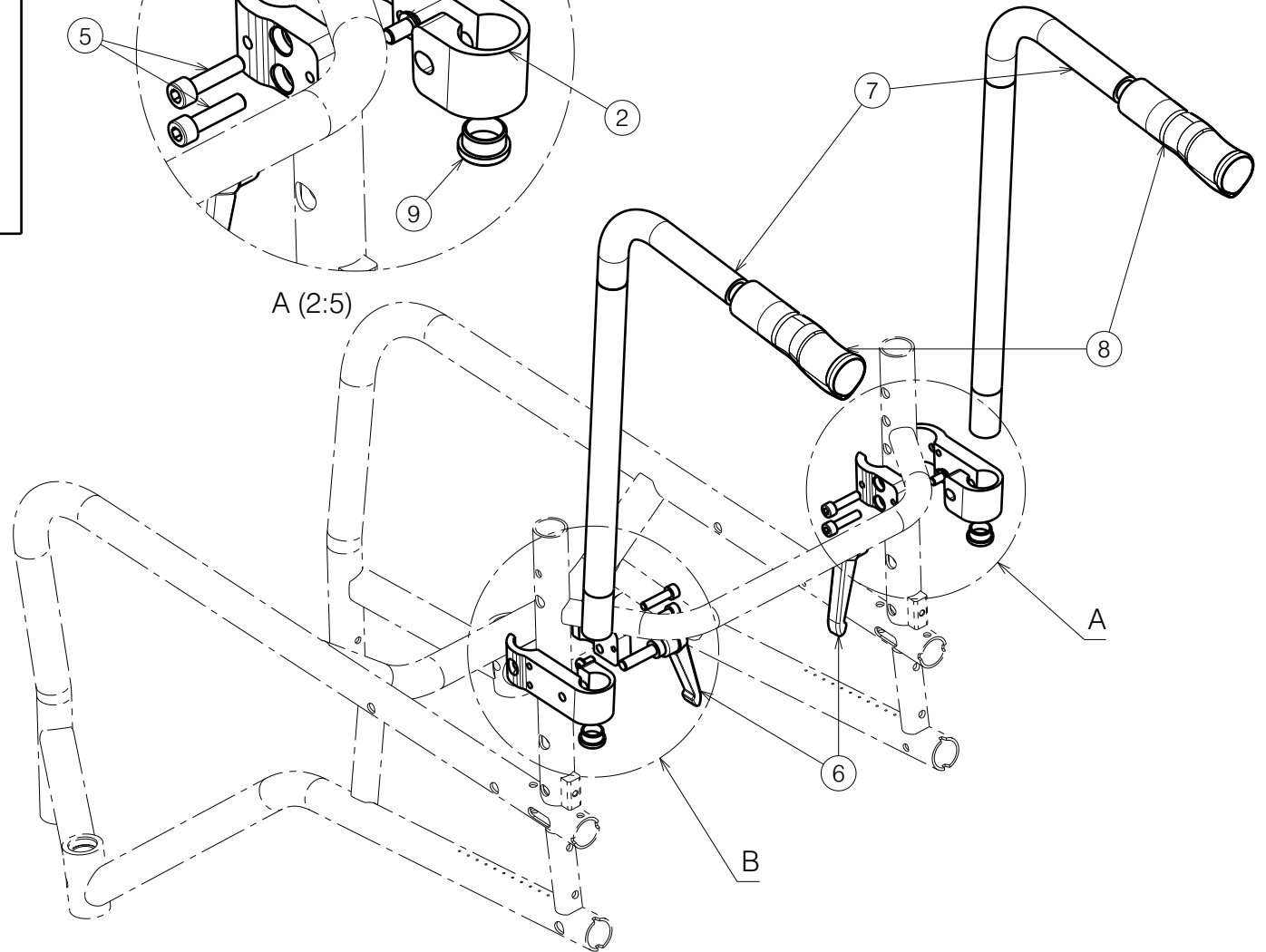
* Use the clipped



A (2:5)



B (2:5)



HANDLE ADJUSTABLE IN HEIGHT WITH A
CLAMP SAGITTA

Plan No.

EP00648 / A

Scale: 1:5

Drafted

Verified

Confirmed

Date

15/11/2022

16/11/2022

22/11/2022

Initials

WM

AZ

AS



EP00648 / A