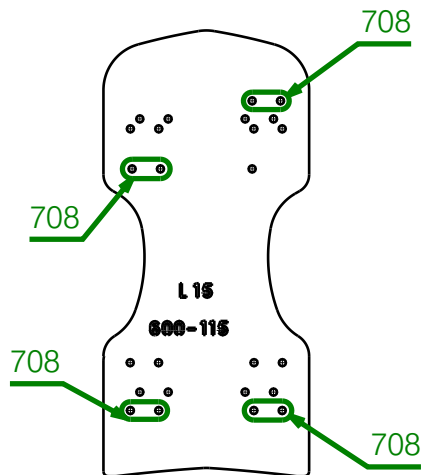


Material			
No.	Plan	Article	Quantity
1	Soft	2996756 (39)	1
	Skai	2996762 (39)	1
	Soft	2996757 (42)	1
	Skai	2996763 (42)	1
	Soft	2996758 (44)	1
	Skai	2996764 (44)	1
	Soft	2996759 (46)	1
	Skai	2996765 (46)	1
	Soft	2996760 (48)	1
	Skai	2996766 (48)	1
	Soft	2996761 (50)	1
	Skai	2996767 (50)	1

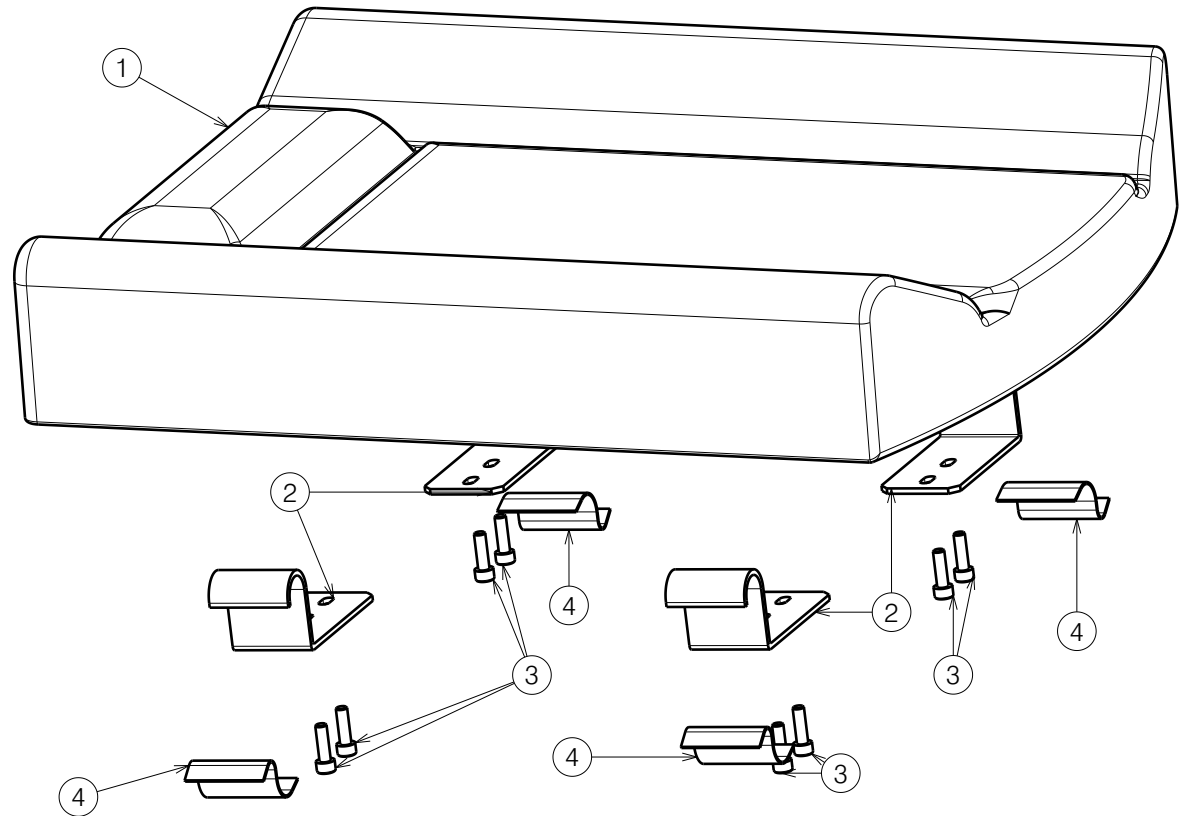
2995378			
No.	Plan	Article	Quantity
2	Y000652	13173...	4
3	M6x16	1001492	8
4	---	1914354	4

Assemble using an tool M600-115



EP00558 / A

708



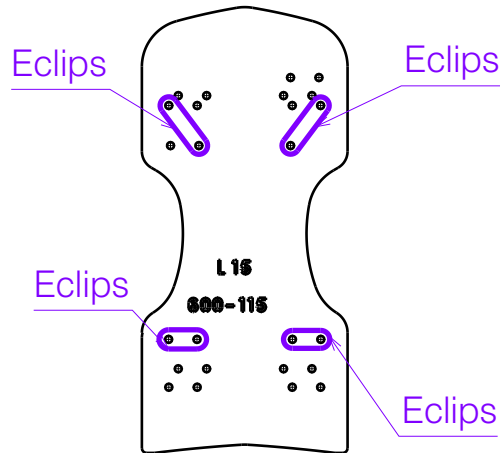
L15 UNIVERSAL SEAT				Plan No.
				EP00558 / A
Scale: 1:4	Drafted	Verified	Confirmed	
Date	21/12/2020	27/04/2022	27/04/2022	
Initials	AS	PM	AZ	

Page 1/4

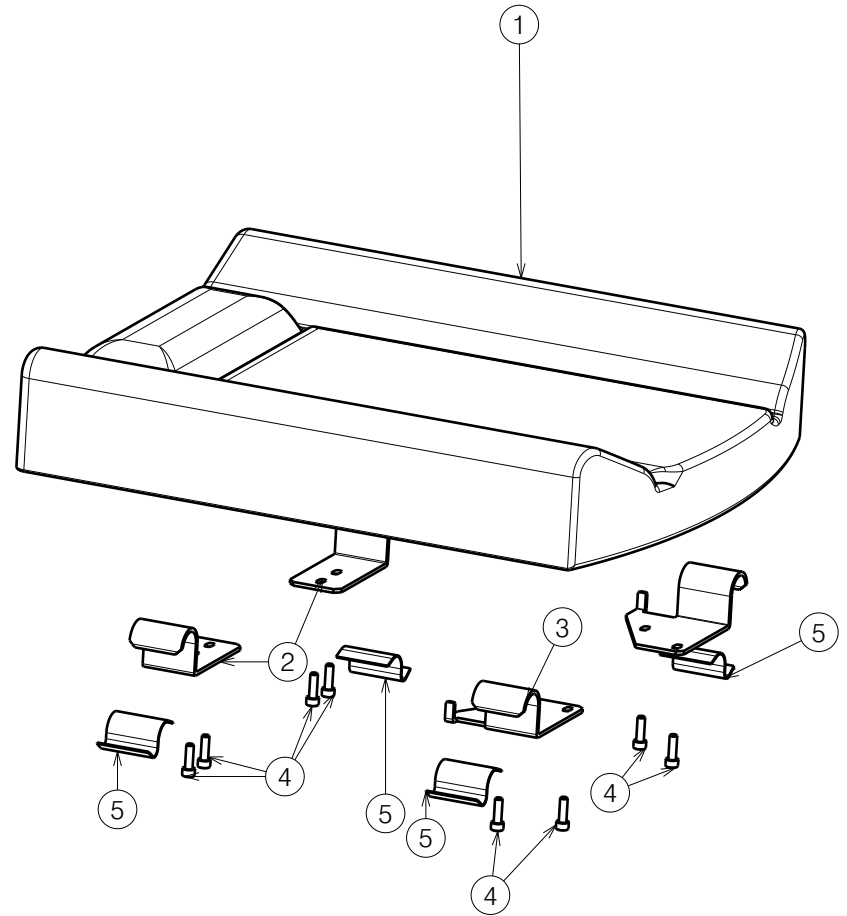
Material			
No.	Plan	Article	Quantity
1	Soft	2996756 (39)	1
	Skai	2996762 (39)	1
	Soft	2996757 (42)	1
	Skai	2996763 (42)	1
	Soft	2996758 (44)	1
	Skai	2996764 (44)	1
	Soft	2996759 (46)	1
	Skai	2996765 (46)	1
	Soft	2996760 (48)	1
	Skai	2996766 (48)	1
	Soft	2996761 (50)	1
	Skai	2996767 (50)	1

2995379			
No.	Plan	Article	Quantity
2	Y004796	15231...	2
3	YP08087(L)	26070...	1
	YP08086 (R	26069...	1
4	M6x16	1001492	8
5	---	1914354	4

Assemble using an tool M600-115



ECLIPS



EP00558 / A

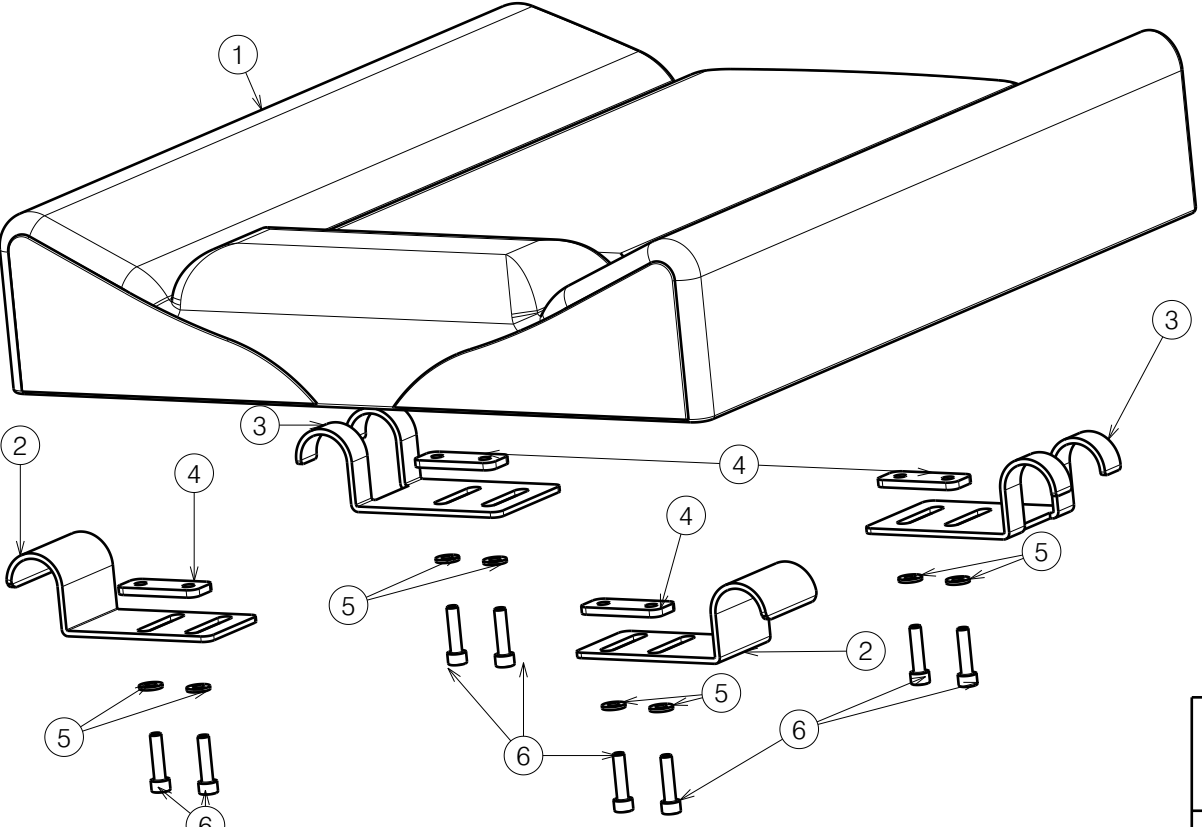
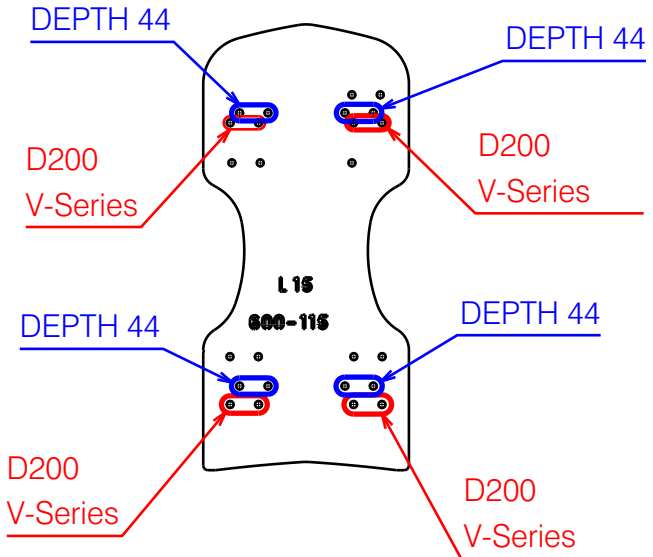
L15 UNIVERSAL SEAT				Plan No.
				EP00558/ A
Scale: 1:4	Drafted	Verified	Confirmed	
Date	21/12/2020	27/04/2022	27/04/2022	
Initials	AS	PM	AZ	



Material			
No.	Plan	Article	Quantity
1	Soft	2997427(38)	1
	Skai	2997428(38)	1
	Soft	2996756(39)	1
	Skai	2996762(39)	1
	Soft	2997430(40)	1
	Skai	2997429(40)	1
	Soft	2996757(42)	1
	Skai	2996763(42)	1
	Soft	2996758 (44)	1
	Skai	2996764 (44)	1
	Soft	2996759 (46)	1
	Skai	2996765 (46)	1
	Soft	2996760 (48)	1
	Skai	2996766 (48)	1
	Soft	2996761 (50)	1
	Skai	2996767 (50)	1

Material Depth 44			
No.	Plan	Article	Quantity
1	Soft	2997438(38)	1
	Skai	2997437(38)	1
	Soft	2997453(39)	1
	Skai	2997454(39)	1
	Soft	2997439(40)	1
	Skai	2997440(40)	1
	Soft	2997455(42)	1
	Skai	2997456(42)	1
	Soft	2997457(44)	1
	Skai	2997458(44)	1
	Soft	2997459(46)	1
	Skai	2997460(46)	1
	Soft	2997461(48)	1
	Skai	2997462(48)	1
	Soft	2997463(50)	1
	Skai	2997464(50)	1

Assemble using an tool M600-115



V-Series, D200

2995380			
No.	Plan	Article	Quantity
* 2	Y021631	2013204	2
3	Y021632	2013304	2
4	Y021630	2013104	4
5	M6 DIN125A	1001564	8
6	M6X25	1001494	8

* For seat depth 48 use Y021632/2013304

EP00558 / A

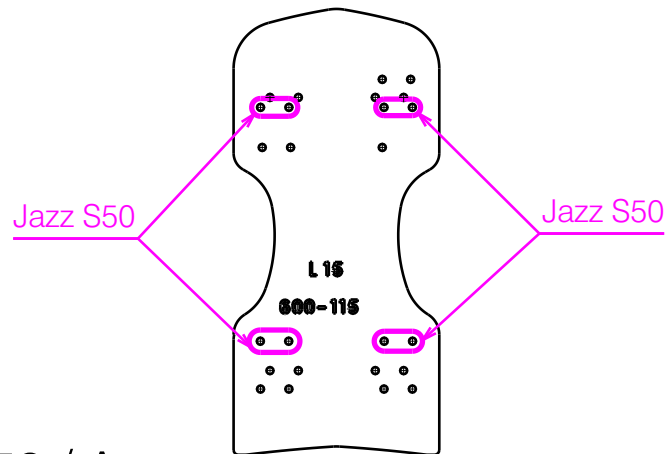
L15 UNIVERSAL SEAT				Plan No.
				EP00558/ A
Scale: 1:4	Drafted	Verified	Confirmed	
Date	21/12/2020	27/04/2022	27/04/2022	
Initials	AS	PM	AZ	



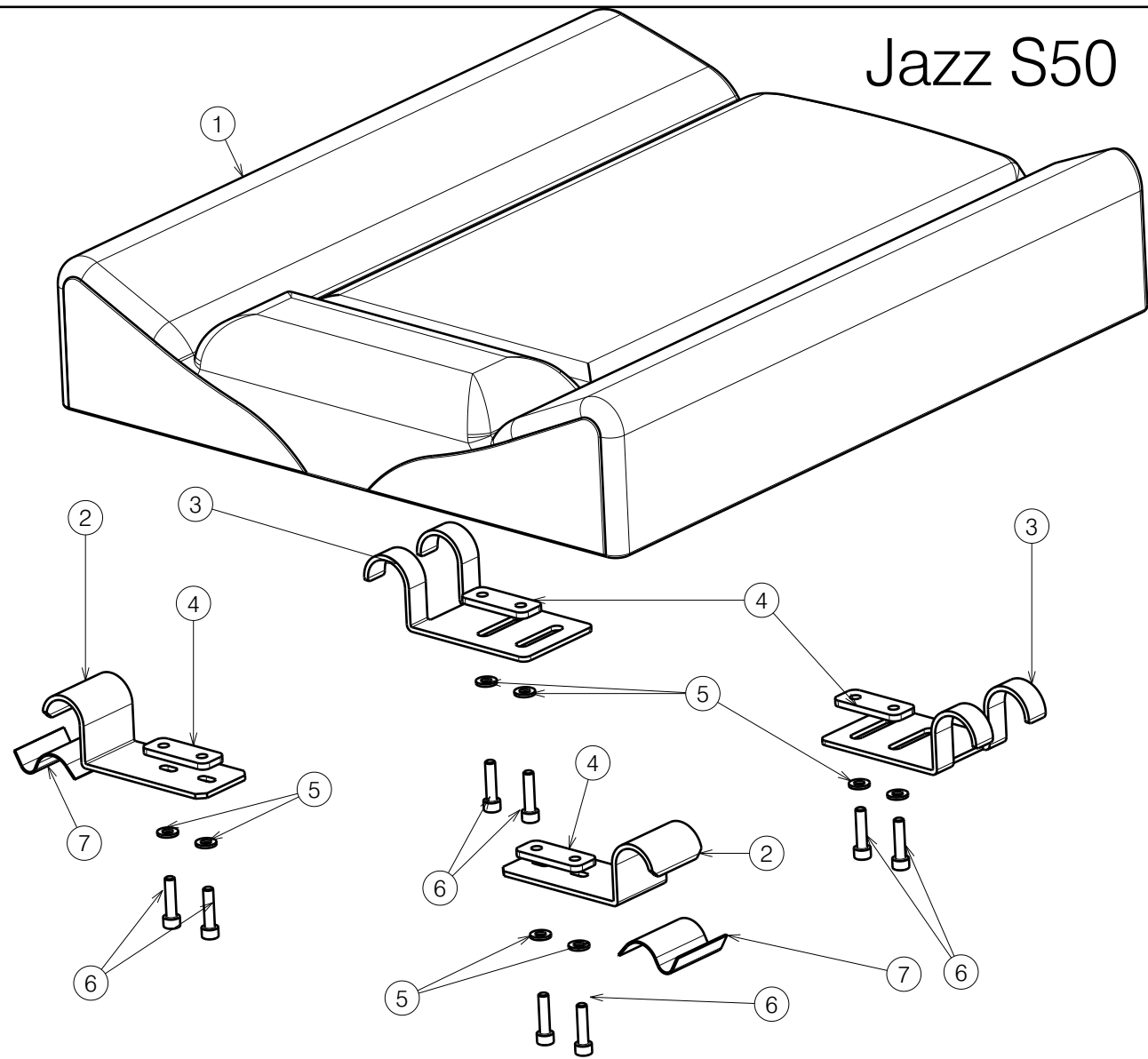
Material			
No.	Plan	Article	Quantity
1	Soft	2996756 (39)	1
	Skai	2996762 (39)	1
	Soft	2996757 (42)	1
	Skai	2996763 (42)	1
	Soft	2996758 (44)	1
	Skai	2996764 (44)	1
	Soft	2996759 (46)	1
	Skai	2996765 (46)	1
	Soft	2996760 (48)	1
	Skai	2996766 (48)	1
	Soft	2996761 (50)	1
	Skai	2996767 (50)	1

2995381			
No.	Plan	Article	Quantity
2	Y004796	15231...	2
3	Y021632	2013304	2
4	Y021630	2013104	4
5	M6 DIN125A	1001564	8
6	M6X25	1001494	8
7	---	1914354	2

Assemble using an tool M600-115



EP00558 / A



Jazz S50

L15 UNIVERSAL SEAT				Plan No.
				EP00558/ A
Scale: 1:4	Drafted	Verified	Confirmed	
Date	21/12/2020	27/04/2022	27/04/2022	
Initials	AS	PM	AZ	

Page 4/4