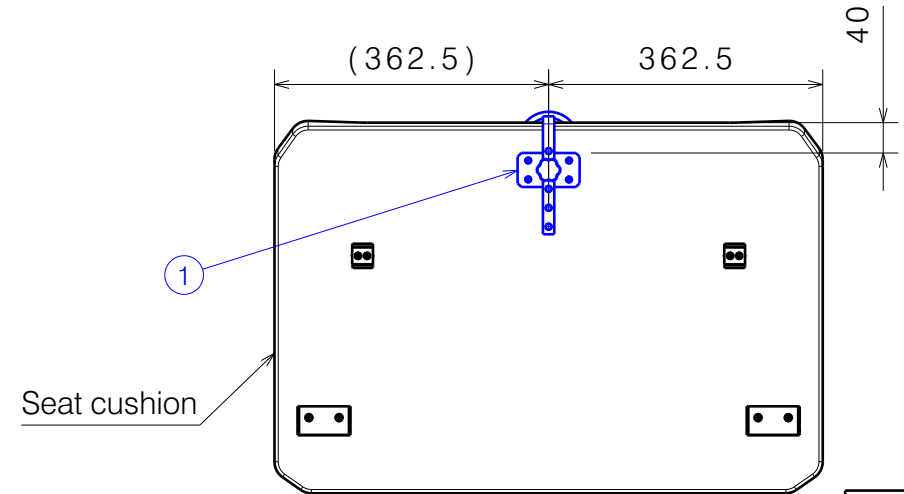



Bill of Material			
No.	Plan	Article	Quantity
1	Y003436	1470965	1
2	Y023690	2073165	1
3	XP00816	2991000	1
4	STERKNOP M6x16	1001578	1
5	M6x16	1008459	4
6	Screw D4x16	1003021	4

* B22 - not compatible with B10 option



B22 / NORMANDIE XXL				---
				Plan No. E00043968/A.1
Scale: 1:3	Drafted	Verified	Confirmed	
Date	2022-09-29	09/12/2022	09/12/2022	
Initials	AZ	PM	AZ	