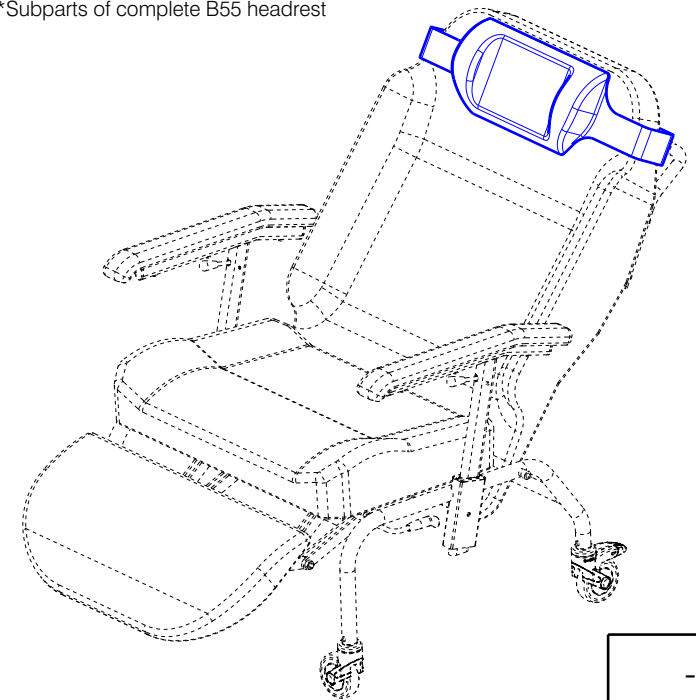


Bill of Material			
No.	Plan	Article	Quantity
1	B55 Blue	2997513	1
	B55 Lavender	2997514	1
	B55 Brown	2997515	1
	B55 Black	2997516	1
	B55 Grey	2997517	1
2*	P00042995	1997405	1
3*	Cover Blue	2997518	1
	Cover Lavender	2997519	1
	Cover Brown	2997520	1
	Cover Black	2997521	1
	Cover Grey	2997522	1

*Subparts of complete B55 headrest



B55 / NORMANDIE XXL				---
				Plan No. E00043965/A.1
Scale: 1:4	Drafted	Verified	Confirmed	
Date	2022-09-28	28/09/2022	28/09/2022	
Initials	AZ	PM	AZ	