

User manual

MANUEL D'UTILISATION
GEBRUIKSAANWIJZING
GEBRAUCHSANWEISUNG
MANUALE DI ISTRUZIONI
MANUAL DE INSTRUCCIONES
INSTRUKCJA OBSŁUGI
NÁVOD K OBSLUZE

Pluo



EN

Instructions for specialist dealer

This instruction manual is part and parcel of the product and must accompany every product sold.

Version: C, 2022-03

FR

Instructions pour les distributeurs

Ce manuel d'instructions fait partie du produit et doit accompagner chaque produit vendu.

Version : C, 2022-03

NL

Instructies voor de vakhandelaar

Deze handleiding is deel van het product en dient bij iedere product te worden geleverd.

Versie: C, 2022-03

DE

Hinweise für den Fachhändler

Diese Gebrauchsanweisung ist Bestand-teil des Produkts und ist bei jeder Produkts auszuhändigen.

Version: C, 2022-03

IT

Istruzioni per il rivenditore

Il presente Manuale di istruzioni è parte integrante del prodotto e deve essere fornito assieme alla prodotto.

Versione: C, 2022-03

ES

Instrucciones destinadas a los distribuidores especializados

El presente manual de instrucciones es parte integrante del producto y se debe adjuntar a todas las producto que se vendan.

Versión: C, 2022-03

PL

Instrukcje dla wyspecjalizowanego sprzedawcy

Niniejsza instrukcja obsługi jest nieodłączną częścią produktu i musi być dołączona do każdego sprzedawanego produktu.

Wersja: C, 2022-03

CS

Pokyny pro specializovaného prodejce

Tento návod k obsluze je součástí dodávky a musí být součástí každého prodaného produktu.

Verze: C, 2022-03

All rights reserved, including translation.

Tous droits réservés, y compris la traduction.

Alle rechten, inclusief vertaling, voorbehouden.

Alle Rechte, auch an der Übersetzung, vorbehalten.

Tutti i diritti riservati (anche sulla traduzione).

Todos los derechos reservados, incluidos los de la traducción.

Wszelkie prawa zastrzeżone, łącznie z tłumaczeniem.

Všechna práva vyhrazena, včetně překladu.



English

Français

Nederlands

Deutsch

Italiano

Español

Polski

Czech

User manual

Manuel d'utilisation

Gebruiksaanwijzing

Bedienungshandbuch

Manuale di istruzioni

Manual de instrucciones

Instrukcja obsługi

Návod k obsluze

This page is intentionally left blank



Contents

Contents	1
Preface	2
1 Your product	3
1.1 Accessories	3
2 Before use	4
2.1 Intended use	4
2.2 General safety instructions	4
2.3 Symbols on the shower chair	4
2.4 First use and storage.....	5
3 Using your shower chair	6
3.1 Brakes	6
3.2 Armrest.....	7
3.3 Footrest.....	7
3.4 Toilet bucket	7
3.5 Moving to/from shower chair	8
3.6 Moving/riding the shower chair.....	8
4 Assembly and adjustments	9
4.1 Tools.....	9
4.2 Manner of delivery.....	9
4.3 (Dis) Assembly	9
4.4 Mounting and adjusting the headrest	11
4.5 Adjusting the seat height (only for 5" wheels).....	11
4.6 Mounting the safety belt	11
4.7 Mounting the safety bracket	11
5 Maintenance	12
5.1 Points of maintenance.....	12
5.2 Instructions of maintenance	12
5.3 Troubleshooting.....	13
5.4 Expected lifespan	13
5.5 End of use	13
6 Technical specifications	14

Preface

Please read this manual carefully; it will help you to get familiar with the operation, capabilities and limitations of your shower chair.

If you still have questions after reading this manual, do not hesitate to contact your specialist dealer. He/she will be glad to help you on this subject.

To ensure your safety and to prolong the lifetime of your product, please take good care of it and have it checked and/serviced on regular base.

The warranty of this product is based on normal use and maintenance as described in this manual. Damage to your product caused by improper use or lack of maintenance will cause the warranty to lapse.

This manual reflects the latest product developments. Vermeiren has the right to implement changes to this type of product without being imposed to any obligation to adapt or replace similar products previously delivered.

Pictures are used to clarify the instructions in this manual. Details of the depicted product may deviate from your product.

On our website <http://www.vermeiren.com/> you will always find the most recent version of following information. Please consult this website regularly for possible updates.

Visually impaired people can download the electronic version of this manual and have it read out by means of a text-to-speech software application.



Wheelchair instruction

For user/attendant/care taker



Service manual for hygiene support

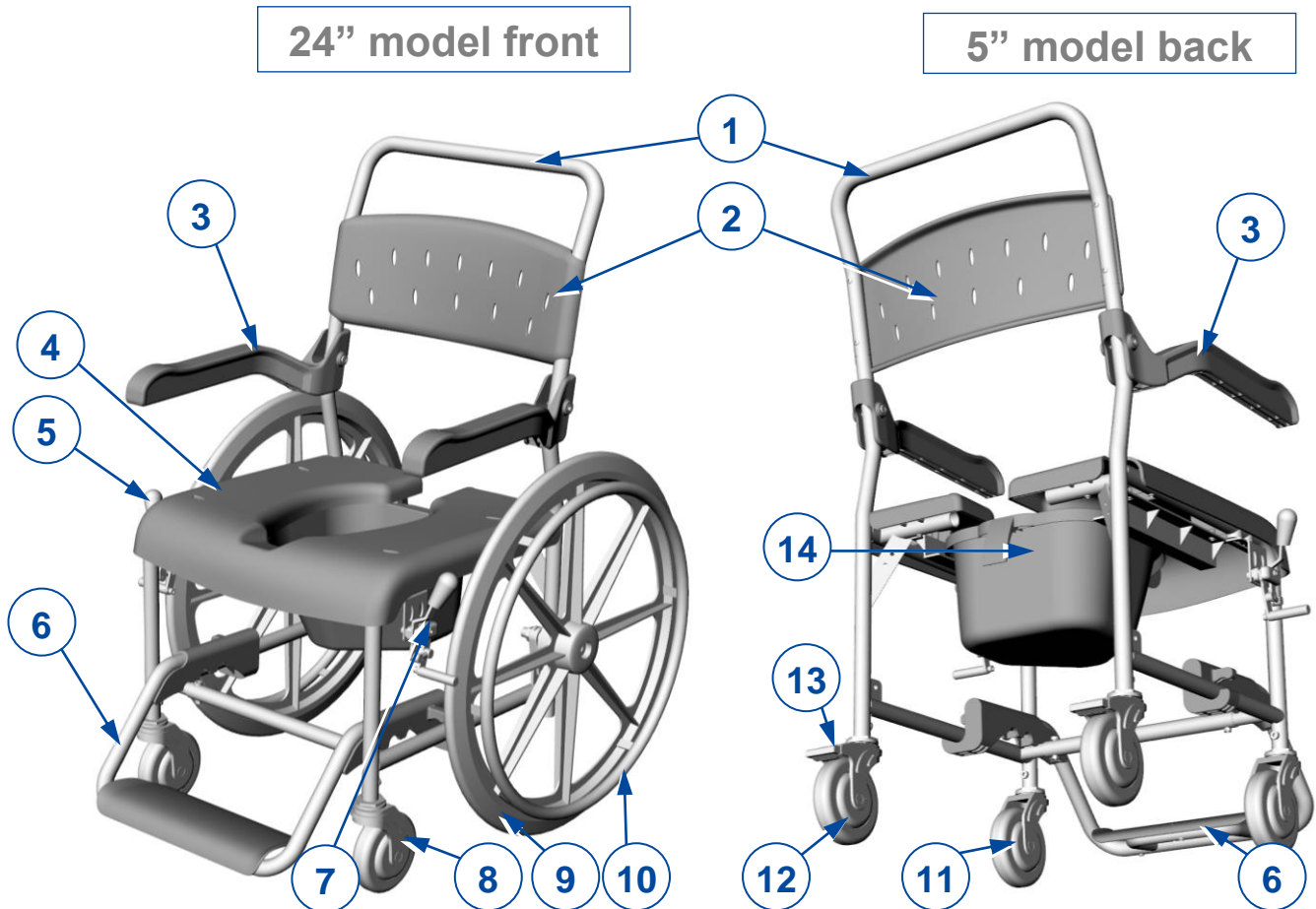
For specialist dealer



EC declaration of conformity

1 Your product

This mobile shower chair with optional toilet bucket is easy to use in bathrooms and is available with 4 swivelling wheels or with 24" rear wheels.



1. Backrest frame / push bar
2. Backrest
3. Armrest rotatable
4. Seat
5. Brake lever
6. Footrest
7. Parking brake (for 24" only)

8. Front wheel (steering)
9. Rear wheel 24"
10. Hand rim (for 24" only)
11. Front wheel (steering)
12. Rear wheel 5"
13. Parking brake (for 5" only)
14. Toilet bucket

1.1 Accessories

The following options and accessories are available for Pluo:

1. Adjustable leg height (only 5")
2. Head rest
3. Safety belt
4. Safety vest
5. PU seat and back
6. Gel seat
7. Lateral support
8. Safety bracket

2 Before use

2.1 Intended use

This paragraph contains a brief description of the intended use of your shower chair. Additionally, relevant warnings are added to the instructions in the other paragraphs. In this way we would like to make you aware of the possible misuse that may appear.

- Indications and contraindications: The shower chair is intended for people with walking difficulties or no walking abilities. The different types of accessories allow full use by aged persons and persons disabled by paralysis, loss of limbs, limb defects or deformations, stiff or damaged joints, heart insufficiencies and poor blood circulation, balance disturbances, cachexia (decrease in muscle). The 5" shower chair is meant to be operated by an attendant; the 24" model can be operated by the occupant as well.
- This shower chair is suitable for indoor use only as bathroom chair and for transport to/from the bathroom.
- This shower chair is designed and produced solely to transport one (1) person with a maximum weight of 150 kg. It is not designed for transport of goods or objects, nor for any other use as previously described.
- If applicable, only use accessories and spare parts approved by Vermeiren.
- Please read all technical details and limits of your shower chair in §6.
- The warranty of this product is based on normal use and maintenance as described in this manual. Damage to your product caused by improper use or lack of maintenance will cause the warranty to lapse.

2.2 General safety instructions

 CAUTION Risk of injuries and/or damage

Please read and follow the instructions in this manual. Otherwise you may get injured or your shower chair may get damaged.

Keep the following general warnings in mind during use:

- Do not use your shower chair if you are under the influence of alcohol, medicines or other substances that may influence your riding abilities. This also counts for your attendant operating the shower chair.
- Be aware that the shower chair may get very hot or cold due to ambient temperature, solar radiation, heating devices or cleaning water. Be careful when touching.
- Do not lean too far forwards or sideways to prevent tipping over.
- Do not stand on the footrest.
- Only lift the shower chair when it is empty. Grab the shower chair at the frame tubes.
- Check all parts for damage or cracks before each use. Do not use the shower chair if it is not in good condition. Contact your specialist dealer for possible repairs or part replacements.
- Do not modify your shower chair in any way.
- Take note of the instructions for care and service. The manufacturer is not liable for damage caused by improper servicing / care.

In case a serious incident has occurred involving your product, notify Vermeiren or your specialist dealer as well as the competent authority in your country.

2.3 Symbols on the shower chair

The symbols in following list are applicable for your shower chair. Symbols can be found in the relevant ISO standard (ISO 7000, ISO 7001 and IEC 417).



Maximum weight of the user in kg



Indoor use only



Type designation



Risk of entrapment

2.4 First use and storage

 CAUTION Risk of battery damage

- Check the technical details for storage, see chapter 6.

3 Using your shower chair


WARNING

Risk of injuries

- First read the previous chapters and inform yourself about the intended use. Do NOT use your shower chair unless you have read and fully understood all instructions.
- In case of doubts or questions, do not hesitate to contact your local specialist dealer, your care provider or technical adviser to help you.
- Make sure that your hands, clothes, belts, buckles or jewellery won't get caught by wheels or during adjustment.

3.1 Brakes


CAUTION

Risk of injuries and/or damage

- Do not use the brakes to slow the shower chair down.

Your shower chair is equipped with two manually-operated parking brakes. These brakes are intended to prevent movement of the shower chair when parked.

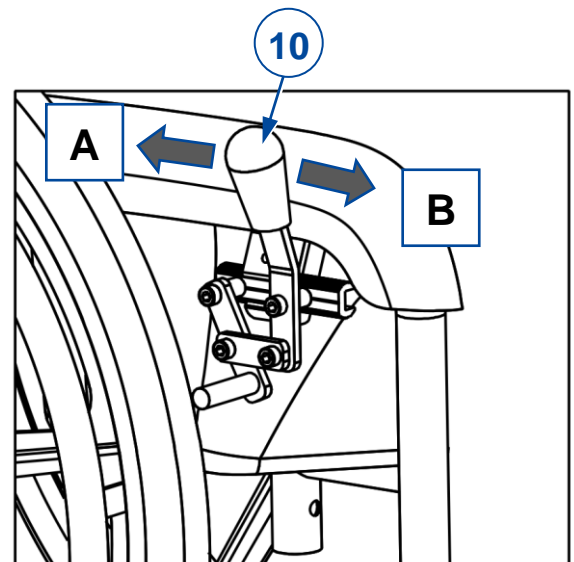
3.1.1 Parking brakes for 24" model

Releasing brakes [A]:

1. Hold one hand rim tight with one hand (or your attendant holds the push bar with one hand).
2. Pull brake lever (10) of the OTHER wheel to the REAR.
3. Repeat this for the second wheel and parking brake.

Applying brakes [B]:

1. Hold one hand rim tight with one hand (or your attendant holds the push bar with one hand).
2. Push brake lever (10) of the OTHER wheel to the FRONT till you feel a distinctive lock.
3. Repeat this for the second wheel and parking brake.



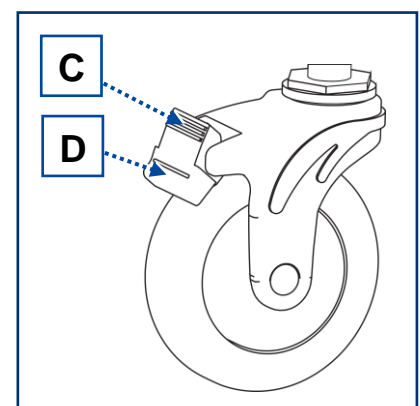
3.1.2 Parking brakes for 5" model

Releasing brakes [C]:

Use your foot to press the top of the brake lever backwards.

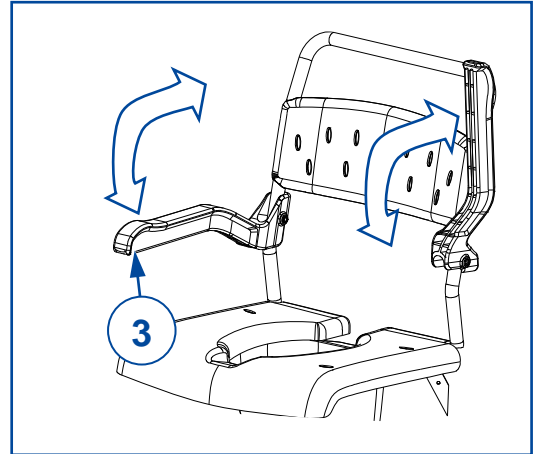
Applying brakes [D]:

Use your foot to press the brake lever down towards the castor wheel.



3.2 Armrest

- Turn it up to make room for passage.
- Turn it down to sit comfortably.



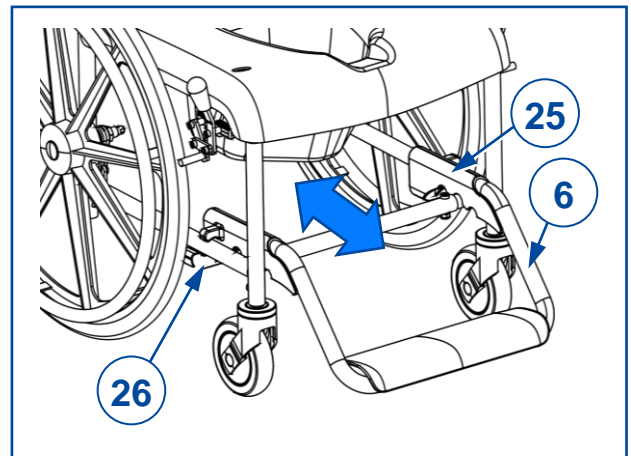
3.3 Footrest

To insert & pull out:

- Push footrest (6) inwards with your foot, to make room for passage.
- To restore, pull it out. Make sure that the front tube falls in the recess of the footrest support (25) (3 positions available)

To remove & install:

- Remove by pulling clamp (26) from the frame tubes at left and right side. Move the footrest between the frame tubes of the front wheels.
- To restore, push clamp (26) of the footrest on the frame tube, at left and right side. Make sure that the front tube falls in the recess of the footrest support (25).



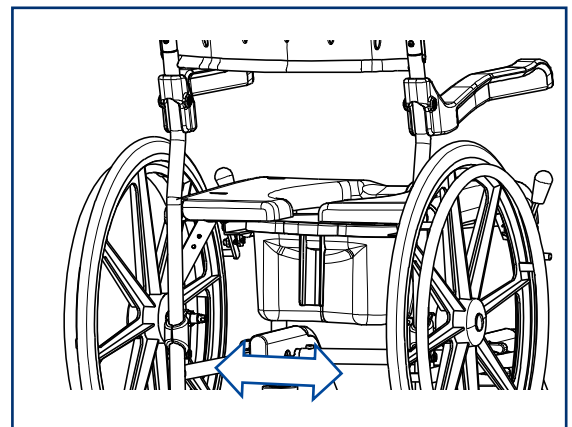
3.4 Toilet bucket

To insert:

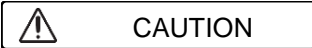
- Place the toilet bucket at the rear side, with its rim on the two guides.
- Slide it to the front against the bucket stop.

To remove:

- Slide the bucket backward while supporting it with your other hand.



3.5 Moving to/from shower chair



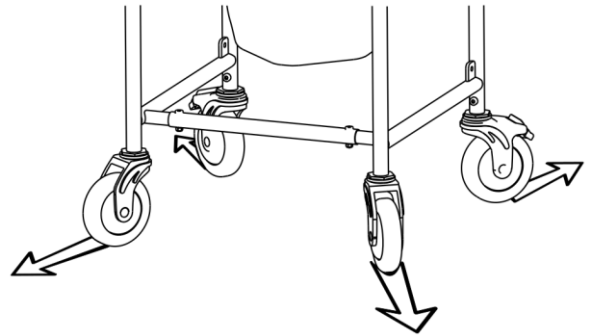
CAUTION

Risk of injuries and damage

- In case you cannot perform the transfer in a safe manner, ask someone to assist you.
- Do not stand on the footplates during transfer.
- Do not lean on the armrests during transfer.

Transfer

- Position the shower chair as close as possible to you when sitting in your chair, couch, seat or bed.
- Turn the swivelling wheels outwards to get more stability, see picture.
- Apply the brakes, see §3.1.
- Push the footrest under the seat and turn the armrest up on one side (see §3.3 and §0).
- Transfer to/from the chair using the strength of your arms or with the help of an attendant or lifting equipment.

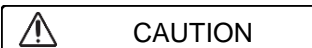


Sitting in the shower chair

- Sit down on the seat with your lower back against the backrest.
- Reinstall armrest and/or footrest.
- Put your feet on the footplate.
- Make sure that your upper legs are horizontal; adjust the footrest, see §3.3.

3.6 Moving/riding the shower chair

i Information on how to negotiate with thresholds and obstacles can be found in our Wheelchair instruction, please refer to our website.



CAUTION

Risk of injuries and damage

- Before every usage, make sure that:
 - all parts are firmly secured, see § 4.
 - brakes are working properly, see §3.1.
- Keep your feet on the footplate.
- Thresholds and obstacles should to be taken backwards.

4 Assembly and adjustments

**WARNING**

Risk of injuries and damage

- Use only the settings described in this manual.

4.1 Tools

To (dis)assemble and adjust the shower chair, the following tools are needed:

- Wrench set no. 13
- Allen keyset n° 3 - 4 – 5

4.2 Manner of delivery

Depending on the packaging method, the frame and wheels are assembled or disassembled. For the small boxes with disassembled frame, the following items are part of the delivery:

- Left frame with armrest
- Right frame with armrest
- Front frame tube
- Backrest frame
- Backrest
- Two supports with swivelling wheels, without brakes
- Two supports with rear swivelling wheels and brakes (only for 5" model)
- Two 24" rear wheels (only for 24" model)
- Footrest
- Accessories
- User manual

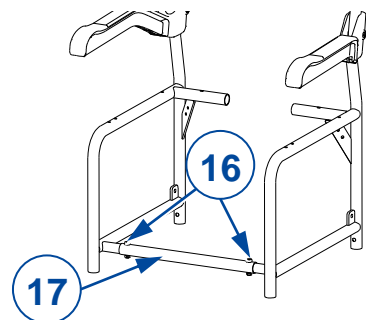
Before use, check if everything is included and that no products are damaged.

4.3 (Dis) Assembly

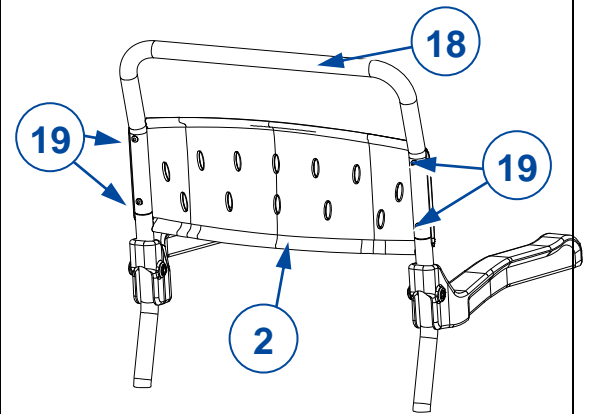


The following description explains the assembly of the chair. To disassemble, follow the steps in reverse order.

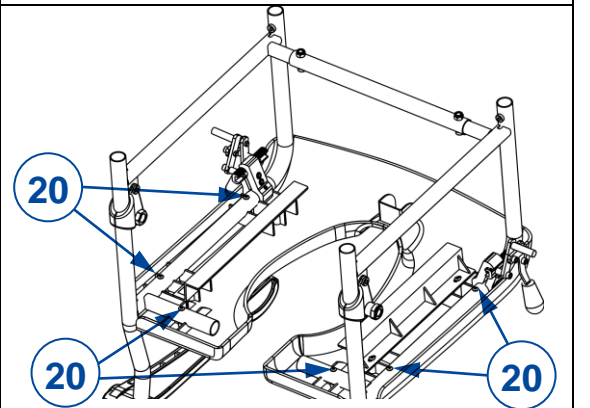
1. Connect left and right frame at the front by frame tube (17):
 - Insert the socket screws (16) in the frame holes and tighten screws and nuts firmly.
 - Verify that the frame parts are well secured.



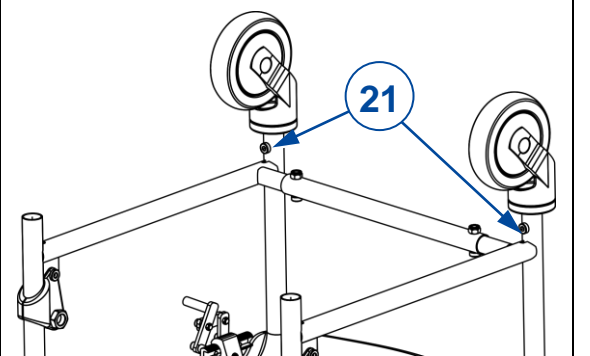
2. Connect left and right frame at the back by backrest frame (18).
- Slide the back frame tube (18) over the protruding tube ends of the side frames.
 - Mount the backrest (2) with the curved side on top.
 - Use the four socket screws (19) and tighten firmly.



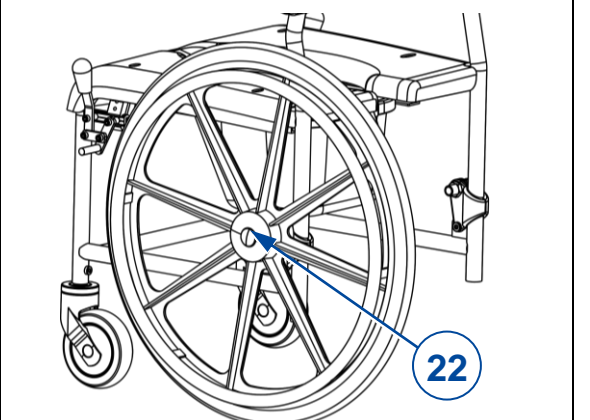
3. Mount the seat:
- Turn the frame upside down and place the seat frame on the underside of the seat.
 - Make sure that the bucket stop is at the front.
 - Tighten the 2x3 socket screws (20) firmly.



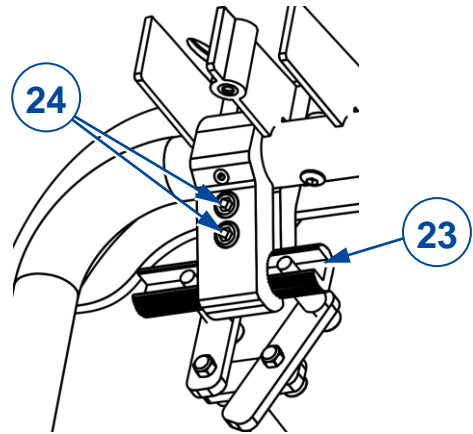
4. Mount the front wheels (2x):
- Insert the tube ends of the wheel supports in the frame-tube ends.
 - Tighten both wheel supports firmly with the socket screw (21).
 - Verify that the front wheels are well secured.



5. Add the rear wheels:
- Only for 5" model: Mount both rear wheels with brakes, see previous step.
 - Only for 24" model: Insert the connection pin (22) of one 24" wheel in the shaft housing on the frame till a click is heard. Repeat this for the second wheel.
 - Verify that the rear wheels are well secured.



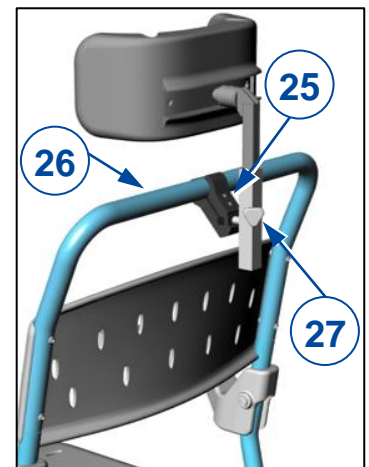
6. Adjust the parking brake (only for 24" model):
- Loosen two socket screws (24).
 - Put the parking brake in braking position (brake lever to the front).
 - Slide the parking-brake support (23) till the brake stop is pressed on the tyre.
 - Tighten the two socket screws (24).
 - Verify that the shower chair stays in position when the brake is applied. If not, repeat the adjustment.
 - Repeat this for the second parking brake.
 - Make sure that both brake supports (23) are well secured.



7. To add footrest (6), see §3.3.

4.4 Mounting and adjusting the headrest

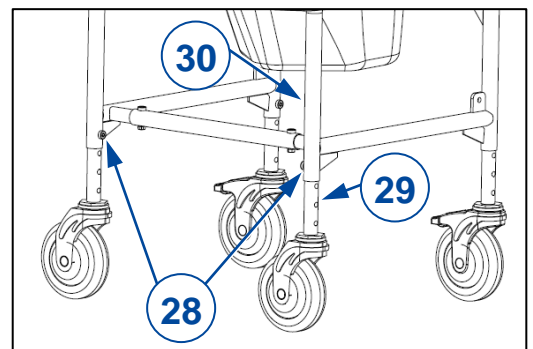
1. Loosen the two screws (25) on the headrest support.
2. Clasp the headrest to the backrest frame (26).
3. Firmly tighten the two screws (25). Make sure that the headrest is well secured.
4. Loosen the knob (27) by hand to adjust the headrest height up/down to the desired position. Retighten the knob firmly.



4.5 Adjusting the seat height (only for 5" wheels)

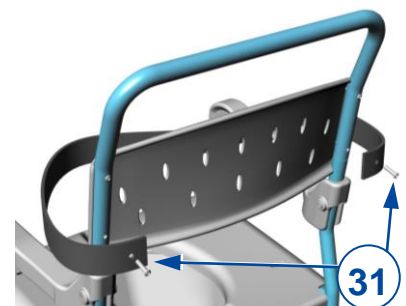
The seat height can be adjusted over a distance of 90 mm (in steps of 30 mm).

1. Remove the screw (28) from the leg.
2. Adjust the leg to the desired height by sliding the inner tube (29) up/down in the outer frame tube (30).
3. Replace the screw (28) and firmly tighten.
4. Repeat for the other legs. Make sure that all legs are firmly secured, and that they have been set to the same height.



4.6 Mounting the safety belt

The safety belt is attached to the frame by the two lower screws (31) of the backrest.



4.7 Mounting the safety bracket

To mount the safety bracket, slide it sideways on the armrests from one side to the other.

5 Maintenance

5.1 Points of maintenance

 CAUTION Risk of injuries and damage

Repairs and replacements may only be undertaken by trained persons and only genuine replacement parts of Vermeiren should be used.

- i** The last page of this manual contains a registration form for the specialist dealer to record each service.

The service frequency depends on the frequency and intensity of use. Contact your dealer to agree to a common timetable for inspection/maintenance/repair.

Before each use

Inspect the following points:

- All parts: Present and undamaged or unworn.
- All parts: Clean, see § 5.2.2.
- Wheels, seat, leg rests, arm rests, foot rests, footplates and headrest (if applicable): Well secured.
- Condition of wheels/tyres, see § 5.2.1.
- Condition of brakes, see § 5.2.1.
- Condition of frame: No deformation, instability, weakness or loose connections
- Seat, backrest, arm pads, leg pads and head rest (if applied): No excessive wear (like dented spots, damage or tears).

Contact your specialist dealer for possible repairs or part replacements.

Yearly or more often

Have your shower chair inspected and serviced by your specialist dealer, at least once a year, or more often. The minimum maintenance frequency depends on use and should therefore be commonly agreed on with your specialist dealer.

5.2 Instructions of maintenance

5.2.1 Wheels and tyres

- i** Proper working of the brakes depends on the state of the tyres, that can change due to wear and contamination (water, oil, mud, ...).

- Keep your wheels free of wires, hair, sand, carpet fibres and soap deposits.
- Check the profile of the tyres. If the tread depth is less than 1 mm, the tyres need to be replaced. Contact your specialist dealer for this matter.

5.2.2 Cleaning

 CAUTION Risk of damage by moisture

- Never use a hose or high-pressure cleaner to clean the shower chair.

Wipe all rigid parts of the shower chair with a damp cloth (not drenched). If necessary, use a mild soap, suitable for varnishes and synthetics.

The shower chair can be cleaned at 85°C during maximum 3 minutes.

5.2.3 Disinfection

 CAUTION Risk of damage

Disinfections may only be undertaken by trained persons. Consult your specialist dealer.

5.3 Troubleshooting

Even if you use your shower chair properly, a technical problem may occur. In this case, contact your local specialist dealer.

 WARNING Risk of injuries and damage to the shower chair

- NEVER attempt to repair your shower chair yourself.

The following symptoms may indicate a serious problem. Therefore, always contact your specialist dealer if you spot any of the following deviations:

- Strange sound;
- Uneven tread wear on one of the tyres;
- Jerky movements;
- Wheelchair deflects to one side;
- Damaged or broken wheel assemblies.

5.4 Expected lifespan

The average lifespan of your shower chair is 5 years. Depending on the frequency of use, driving circumstances and maintenance, the lifespan of your shower chair will increase or decrease.

5.5 End of use

At end of life, you need to dispose your shower chair according to the local environmental legislation. The best way to do so, is to disassemble the shower chair to facilitate the transport of recyclable parts.

6 Technical specifications

The technical details below are only valid for this shower chair, at standard settings and optimal ambient conditions. Take these details into account during use. The values are no longer applicable if your shower chair has been modified, damaged or suffers from severe wear.

Table 1: Technical specifications

Brand	Vermeiren	
Type	Shower chair	
Model	Pluo	
Description	Dimensions 5" standard	Dimensions 24" rear wheels
Max. weight of user	150 kg	150 kg
Total height	1035 mm	1035 mm
Total width	600 mm	680 mm
Total length (adjustable footrest)	720 - 760 - 785 mm	910 - 950 - 975 mm
Dimensions H x W x L folded	1035 x 570 x 570 mm	1035 x 623 x 570 mm
Footrest height and angle (adjustable)	90 - 105 - 120 mm 4° - 7° - 9°	90 - 105 - 120 mm 4° - 7° - 9°
Seat height	515 mm	515 mm
Seat depth	450 mm	450 mm
Seat width	480 mm	480 mm
Height of backrest	920 mm	920 mm
Distance between armrest and seat	225 mm	225 mm
Front location of armrest structure (footrest in most front position)	605-665 mm	605-665 mm
Total mass	9,7 kg	14,0 kg
Mass of heaviest part	8,0 kg	7,2 kg
Mass of removable parts	24" Wheel: Footrest: Toilet bucket:	2,5 kg (each) 1,0 kg 0,7 kg
Volume toilet bucket	9,3 litre	9,3 litre
Front wheel diameter	125 mm (2x, swivelling, without brakes)	125 mm (2x, swivelling without brakes)
Rear wheel diameter	125 mm (2x, swivelling with brakes)	600 mm (2x fixed, with brakes)
Hand -rim diameter	NA	530 mm
Use temperature	5°C ~ +50°C	
Clean temperature	85°C for max. 3 minutes	
Storage temperature	+5°C ~ +65°C	
<p>We reserve the right to introduce technical changes. Measurement tolerance ± 15 mm / 1,5 kg / 1,5°. NA = not applicable</p>		

Sommaire

Sommaire	1
Préface	2
1 Votre produit	3
1.1 Accessoires	3
2 Avant l'utilisation	4
2.1 Utilisation prévue	4
2.2 Instructions générales de sécurité	4
2.3 Symboles sur le fauteuil de douche	5
2.4 Première utilisation et stockage	5
3 Utilisation de votre fauteuil de douche	6
3.1 Freins	6
3.2 Accoudoir	7
3.3 Repose-pieds	7
3.4 Seau	7
3.5 Se déplacer de/vers le fauteuil de douche	7
3.6 Déplacer/conduire le fauteuil de douche	8
4 Montage et réglages	9
4.1 Outils	9
4.2 Mode de livraison	9
4.3 (Dé-)montage	9
4.4 Monter et ajuster l'appui tête	11
4.5 Réglage de la hauteur de siège (uniquement pour les roues de 5")	11
4.6 Montage de la ceinture de sécurité	12
4.7 Montage du support de sécurité	12
5 Entretien	13
5.1 Points d'entretien	13
5.2 Instructions d'entretien	13
5.3 Résolution des problèmes	14
5.4 Durée de vie attendue	14
5.5 Mise au rebut	14
6 Caractéristiques techniques	15

Préface

Veillez le lire attentivement ce manuel. Vous pourrez ainsi vous familiariser avec le fonctionnement, les capacités et les limites de votre fauteuil de douche.

Si vous avez encore des questions après la lecture de ce manuel, n'hésitez pas à prendre contact avec votre revendeur spécialisé. Il vous aidera volontiers.

Pour assurer votre sécurité et prolonger la durée de vie de votre produit, prenez-en grand soin et faites-le contrôler ou entretenir régulièrement.

La garantie de ce produit est basée sur une utilisation et un entretien normaux, tels que décrits dans le présent manuel. Les dommages à votre produit dus à un usage inapproprié ou à un manque d'entretien auront pour effet d'annuler la garantie.

Ce manuel est le reflet des derniers développements du produit. Vermeiren a le droit d'apporter des modifications à ce type de produit sans être tenu d'adapter ou de remplacer des produits similaires fournis précédemment.

Les images sont fournies afin de clarifier les instructions de ce manuel. Les détails du produit illustré peuvent diverger de votre produit.

Sur notre site Internet <http://www.vermeiren.com/>, vous trouverez toujours la version la plus récente des informations suivantes. Veuillez consulter régulièrement ce site Internet pour d'éventuelles mises à jour.

Les personnes malvoyantes peuvent télécharger la version électronique de ce manuel et la lire au moyen d'une application de texte-parole.



Manuel du fauteuil roulant

Pour l'utilisateur/l'accompagnateur/
le personnel soignant



Manuel d'entretien relatif à l'hygiène

Pour le revendeur spécialisé



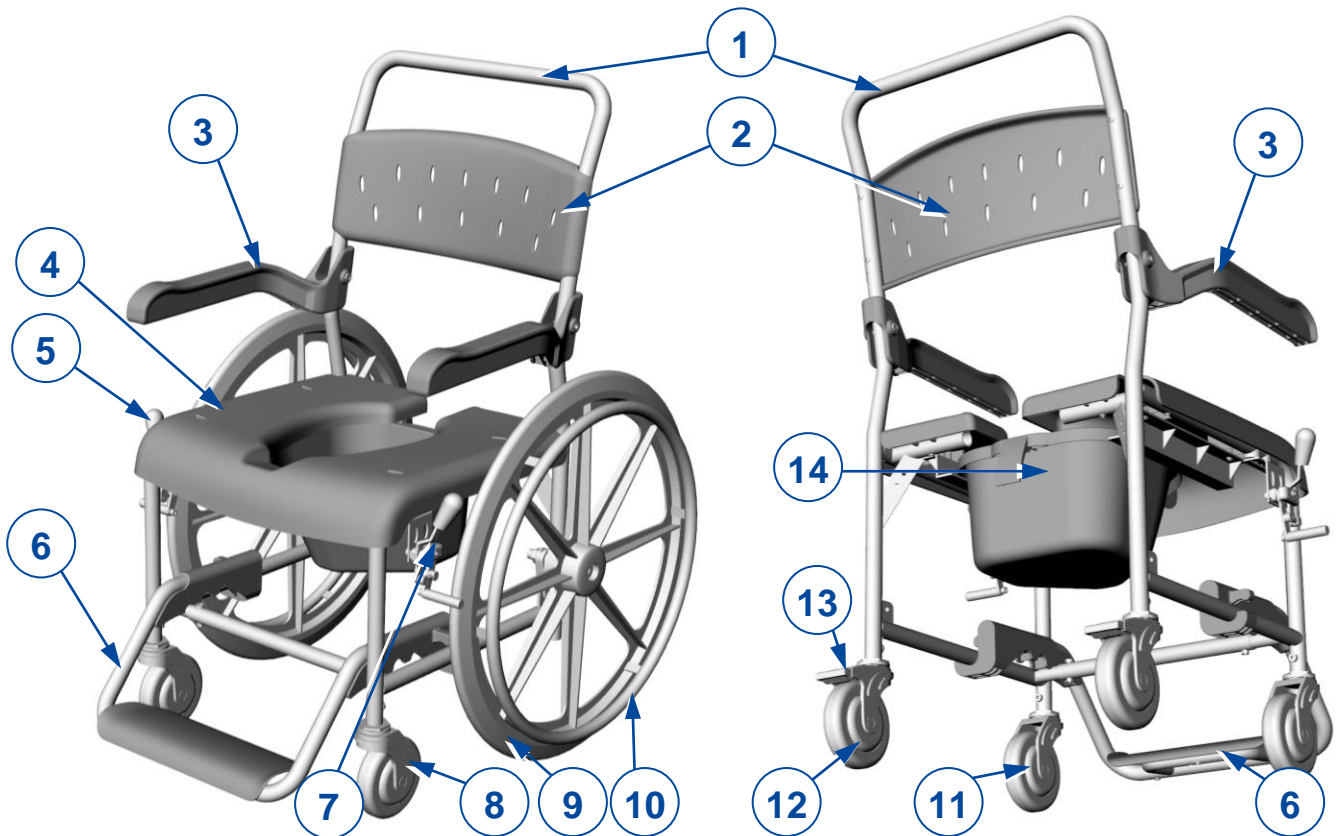
Déclaration de conformité CE

1 Votre produit

Ce fauteuil de douche mobile avec seau en option est facile à utiliser dans les salle de bains, et est disponible avec 4 roues pivotantes ou des roues arrières 24".

Avant modèle 24"

Arrière modèle 5"



- | | |
|---|---|
| 1. Cadre de dossier / barre de poussée | 8. Roue avant (directionnelle) |
| 2. Dossier | 9. Roue arrière 24" |
| 3. Accoudoir pivotant | 10. Main courante (pour 24" uniquement) |
| 4. Siège | 11. Roue avant (directionnelle) |
| 5. Levier de frein | 12. Roue arrière 5" |
| 6. Repose-pieds | 13. Frein de stationnement (pour 5" uniquement) |
| 7. Frein de stationnement (pour 24" uniquement) | 14. Seau |

1.1 Accessoires

Les accessoires suivants sont disponibles pour le fauteuil de douche Pluo:

1. Hauteur de jambe ajustable (uniquement en 5")
2. Appui tête
3. ceinture de sécurité
4. Gilet de sécurité
5. Assise et dossier PU
6. Assise en gel
7. Support latéral
8. Support de sécurité

2 Avant l'utilisation

2.1 Utilisation prévue

Ce paragraphe contient une brève description de l'utilisation prévue de votre fauteuil de douche. Des avertissements pertinents ont également été ajoutés aux instructions dans les autres paragraphes. Nous aimerions ainsi attirer votre attention sur un usage inapproprié éventuel qui pourrait survenir.

- Indications et contre-indications : Le fauteuil de douche est destiné aux personnes qui ont des difficultés à marcher ou sont dans l'impossibilité de marcher. Les différents types d'équipements et d'accessoires et la construction modulaire permettent une utilisation complète par les personnes gériatriques et des personnes souffrant des handicaps suivants : paralysie, de la perte de membres, déficience ou malformation de membres, de contractions ou d'affections articulaires, insuffisances cardiaques et mauvaise circulation sanguine, troubles de l'équilibre, cachexie (perte musculaire). Le fauteuil de douche 5" est destiné à être manipulé par un accompagnateur ; le modèle 24" peut également être manipulé par l'occupant.
- Ce fauteuil de douche convient pour un usage intérieur uniquement comme chaise de salle de bains et pour le transport en direction de la salle de bains et en provenance de celle-ci.
- Ce fauteuil de douche est conçu et fabriqué uniquement pour le transport d'une (1) personne d'un poids maximum de 150 kg. Il n'est pas destiné au transport de biens ou d'objets, ni à tout autre usage que celui décrit précédemment.
- Le cas échéant, utilisez uniquement des accessoires et des pièces de rechange approuvés par Vermeiren.
- Consultez également les détails techniques et les limites de votre fauteuil de douche au §6.
- La garantie de ce produit est basée sur une utilisation et un entretien normaux, tels que décrits dans le présent manuel. Les dommages à votre produit dus à un usage inapproprié ou à un manque d'entretien auront pour effet d'annuler la garantie.

2.2 Instructions générales de sécurité

 **ATTENTION** Risque de blessures et/ou de dommages

Veillez lire et suivre les instructions stipulées dans le présent manuel d'utilisation. Autrement, vous pourriez vous blesser ou votre fauteuil de douche pourrait être endommagé.

Tenez compte des avertissements généraux suivants pendant l'emploi :

- N'utilisez pas votre fauteuil de douche si vous êtes sous l'influence de l'alcool, de médicaments ou d'autres substances qui peuvent influencer vos capacités de conduite. Il en va de même pour votre accompagnateur actionnant le fauteuil de douche.
- N'oubliez pas que certaines parties de ce fauteuil de douche peuvent devenir très chaudes ou très froides en raison de la température ambiante, des rayons du soleil, des dispositifs de chauffage ou de l'eau de nettoyage. Faites donc attention lorsque vous les touchez.
- Ne vous penchez pas trop fort vers l'avant ou le côté pour éviter de basculer.
- Ne vous tenez pas debout sur le repose-pieds.
- Soulevez uniquement le fauteuil de douche lorsqu'il est vide. Saisissez le fauteuil de douche par les tubes du cadre.
- Vérifiez la présence éventuelle d'endommagement ou de fissures sur toutes les pièces avant chaque utilisation. N'utilisez pas le fauteuil de douche s'il n'est pas en bon état. Prenez contact avec votre revendeur spécialisé pour les réparations et les remplacements de pièces éventuels.
- Ne modifiez en aucun cas votre fauteuil de douche.

- Veuillez suivre les instructions pour le nettoyage et les contrôles. Le fabricant n'est pas responsable des dommages résultant d'une mauvaise inspection ou d'un mauvais entretien.

En cas d'incident grave impliquant votre produit, informez Vermeiren ou votre revendeur spécialisé ainsi que l'autorité compétente de votre pays.

2.3 Symboles sur le fauteuil de douche

Les symboles de la liste suivante s'appliquent à votre fauteuil de douche. Vous trouverez les symboles dans les normes ISO correspondantes (ISO 7000, ISO 7001 et CEI 417).



Poids maximum de l'utilisateur en kg



Usage intérieur uniquement




Indication du type



Risque de coincement

2.4 Première utilisation et stockage

 ATTENTION Risque d'endommagement de la batterie

- Vérifiez les détails techniques pour le stockage, cf. chapitre 6.

3 Utilisation de votre fauteuil de douche

 **AVERTISSEMENT** Risque de blessures

- Lisez d'abord les chapitres précédents et informez-vous à propos de l'usage visé. N'utilisez PAS votre fauteuil de douche sans avoir d'abord lu et bien compris toutes les instructions.
- En cas de doutes ou de questions, n'hésitez pas à contacter votre revendeur local, votre prestataire de soins ou votre conseiller technique qui pourra vous aider.
- Assurez-vous que vos mains, vêtements, ceintures, boucles ou bijoux ne puissent pas se coincer dans les roues ou pendant le réglage.

3.1 Freins

 **AVERTISSEMENT** Risque de blessures ou de dommages

- N'utilisez pas les freins pour ralentir le fauteuil roulant.

Votre fauteuil roulant est équipé de deux freins de stationnement manuels. Ces freins sont destinés à prévenir le mouvement du fauteuil roulant lorsqu'il est garé.

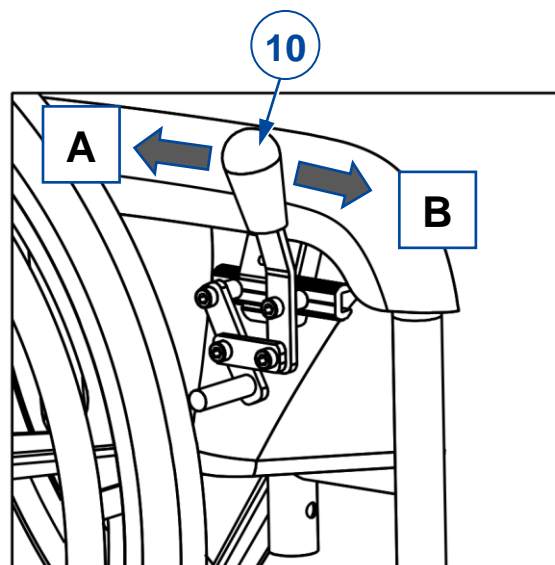
3.1.1 Freins de stationnement pour le modèle 24"

Relâcher les freins [A] :

1. Tenez une main courante d'une main (ou votre accompagnateur tient la barre de poussée d'une main).
2. Tirez le levier de frein (10) de l'AUTRE roue vers l'ARRIÈRE.
3. Répétez cette opération pour les autres roue et frein de stationnement.

Actionner les freins [B] :

1. Tenez une main courante d'une main (ou votre accompagnateur tient la barre de poussée d'une main).
2. Tirez le levier de frein (10) de l'AUTRE roue vers L'AVANT jusqu'à ce que vous entendiez clairement un déclic.
3. Répétez cette opération pour les autres roue et frein de stationnement.



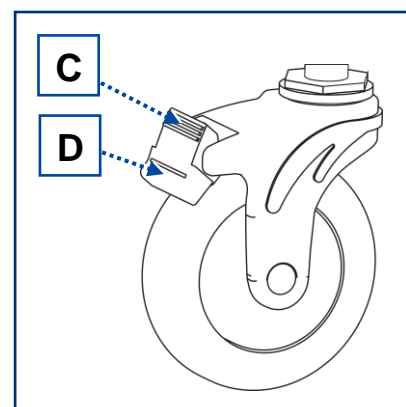
3.1.2 Freins de stationnement pour le modèle 5"

Relâcher les freins [C] :

Utilisez votre pied pour pousser le haut du levier de frein vers l'arrière.

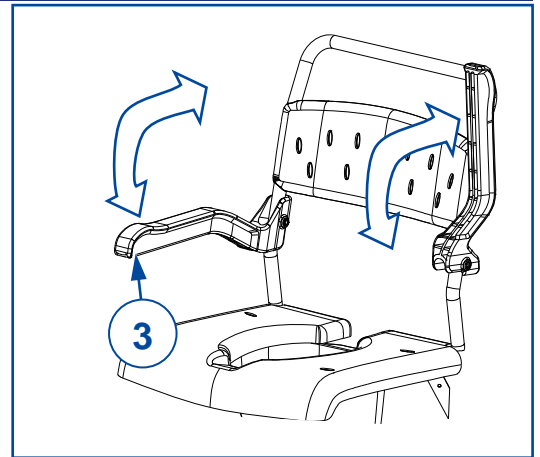
Actionner les freins [D] :

Utilisez votre pied pour enfoncer le levier de frein vers la roue pivotante.



3.2 Accoudoir

- Tournez-le vers le haut pour permettre le passage.
- Tournez-le vers le bas pour une assise confortable.



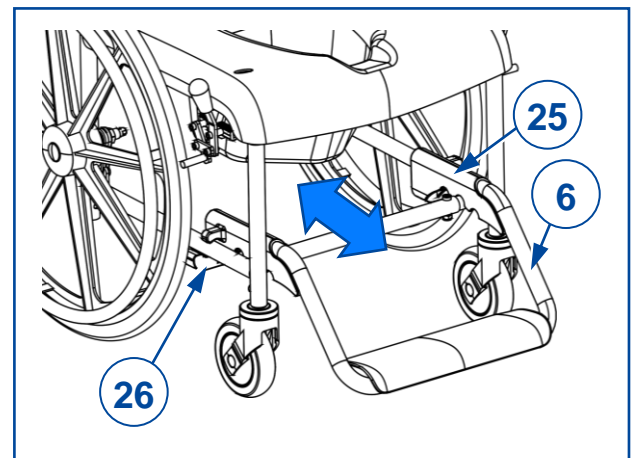
3.3 Repose-pieds

Pour insérer et sortir :

- Poussez le repose-pieds (6) vers l'intérieur avec votre pied, pour permettre le passage.
- Sortez-le pour le remettre en place. Assurez-vous que le tube avant tombe dans le renforcement du support de repose-pieds (25) (3 positions possibles)

Pour retirer et installer :

- Pour le retrait, tirez la pince (26) des tubes de cadre des côtés gauche et droit. Déplacez le repose-pieds entre les tubes du cadre des roues avant.
- Pour la remise en place, poussez la pince (26) du repose-pieds sur le tube de cadre, des côtés gauche et droit. Assurez-vous que le tube avant tombe dans le renforcement du support de repose-pieds (25).



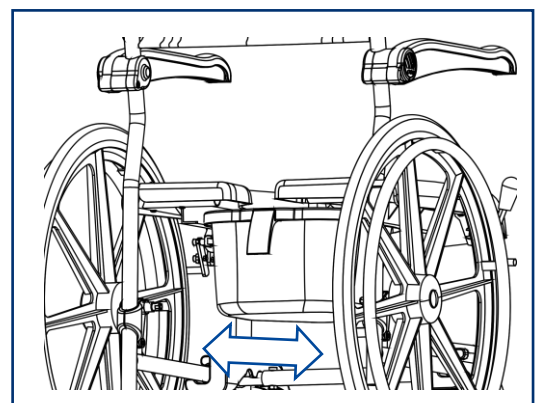
3.4 Seau

Pour insérer :

- Placez le seau à l'arrière, avec son rebord sur les deux guides.
- Glissez-le vers l'avant contre la butée de seau.

Pour retirer :

- Glissez le seau vers l'arrière tout en le soutenant avec votre autre main.



3.5 Se déplacer de/vers le fauteuil de douche



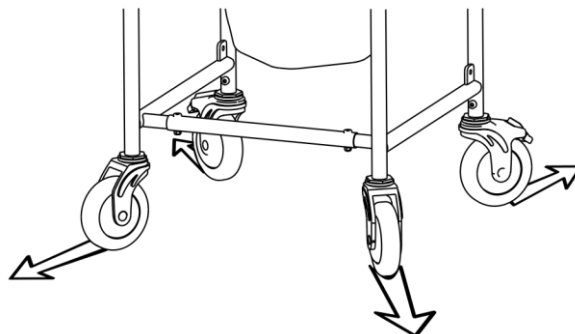
AVERTISSEMENT

Risque de blessures ou de dommages

- Si vous ne pouvez pas réaliser le transfert de manière sûre, demandez à quelqu'un de vous aider.
- Ne vous tenez pas debout sur les repose-pieds pendant le transfert.
- Ne vous penchez pas sur les accoudoirs pendant le transfert.

Transfert

- Positionnez le fauteuil de douche aussi près de vous que possible lorsque vous êtes assis sur une chaise, un fauteuil, un siège ou un lit.
- Tournez les roues pivotantes vers l'extérieur pour renforcer la stabilité, cf. illustration.
- Serrez les freins, voir §3.1.
- Poussez le repose-pieds sous le siège et tournez l'accoudoir vers le haut d'un côté (cf. §3.3 et §3.2).
- Faites le transfert du ou vers le fauteuil en utilisant la force de vos bras, ou avec l'aide d'un accompagnateur ou d'un équipement de levage.



S'asseoir sur le fauteuil roulant

- Asseyez-vous sur le siège, le bas du dos contre le dossier.
- Réinstallez l'accoudoir et le repose-pieds.
- Placez vos pieds sur la palette repose-pieds.
- Assurez-vous que vos cuisses sont horizontales; réglez le repose-pieds, cf. §3.3.

3.6 Déplacer/conduire le fauteuil de douche

i Vous trouverez des informations sur la manière de négocier les seuils et les obstacles dans notre Manuel du fauteuil roulant, veuillez-vous référer à notre site Internet à cet effet.



AVERTISSEMENT

Risque de blessures ou de dommages

- Avant tout usage, assurez-vous que :
 - tous éléments sont bien fixés, cf. § 4.
 - les freins fonctionnent convenablement, cf. §3.1.
- Maintenez vos pieds sur la palette repose-pieds.
- Les seuils et les obstacles doivent être abordés par l'arrière.

4 Montage et réglages

⚠ AVERTISSEMENT Risque de blessures et de dommages

- N'utilisez que les réglages décrits dans ce manuel.

4.1 Outils

Pour (dé)monter et régler le fauteuil de douche, les outils suivants sont nécessaires :

- Jeu de clés à molette n° 13
- Jeu de clés Allen n° 3 - 4 - 5

4.2 Mode de livraison

Selon le procédé d'emballage, le cadre et les roues peuvent être montés ou non. En cas de petites boîtes avec un cadre démonté, les articles suivants font partie de la livraison :

- Cadre gauche avec accoudoir
- Cadre droit avec accoudoir
- Tube de cadre avant
- Cadre de dossier
- Dossier
- Deux supports avec roues pivotantes, sans frein
- Deux supports avec roues pivotantes arrière et frein (uniquement pour le modèle 5")
- Deux roues 24" arrière (uniquement pour le modèle 24")
- Repose-pieds
- Accessoires
- Manuel d'utilisation

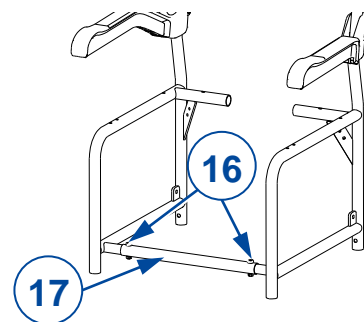
Avant l'utilisation, vérifiez que tout est inclus et qu'aucun produit n'est endommagé.

4.3 (Dé-)montage

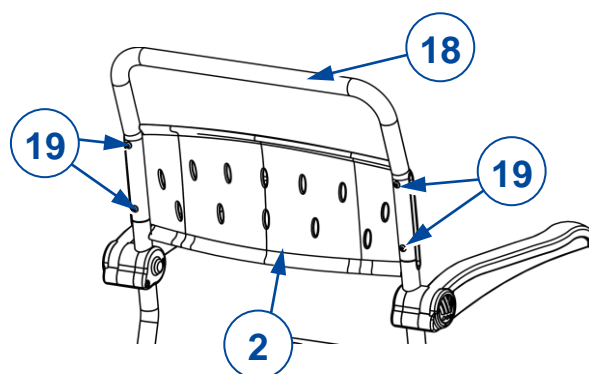
i

La description suivante explique le montage du fauteuil. Pour le démontage, suivez les étapes dans l'ordre inverse.

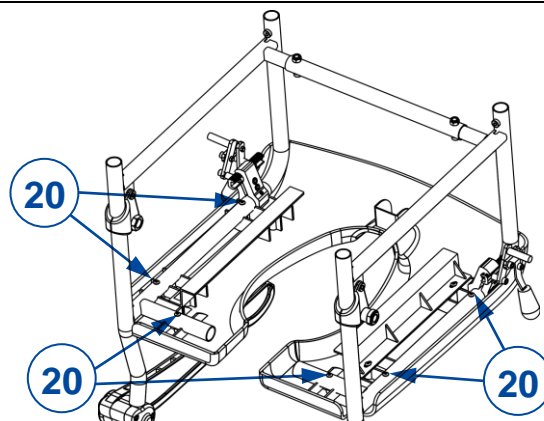
1. Assemblez les cadres gauche et droit à l'avant par le tube de cadre (17) :
 - Insérez les vis à tête creuse (16) dans les trous du cadre, et serrez bien les vis et les écrous.
 - Vérifiez si les parties du cadre sont bien fixées.



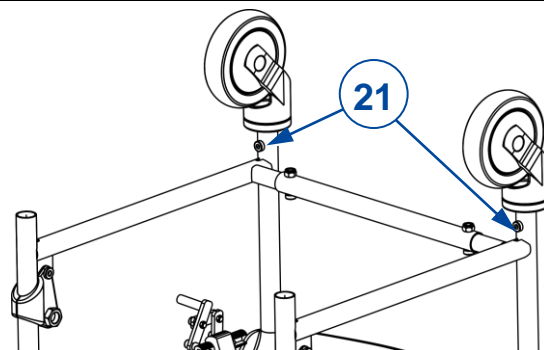
2. Assemblez les cadres gauche et droit à l'arrière par le cadre du dossier (18).
- Glissez le tube de cadre arrière (18) sur les extrémités saillantes de tube des cadres latéraux.
 - Montez le dossier (2) avec le côté incurvé vers le haut.
 - Utilisez les quatre vis à tête creuse (19) et serrez bien.



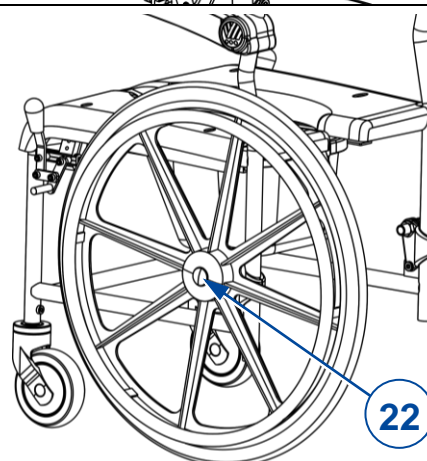
3. Montez le siège :
- Retournez le cadre et placez le cadre du siège en dessous du siège.
 - Assurez-vous que la butée du seau se trouve à l'avant.
 - Serrez bien les 2x3 vis à tête creuse (20).



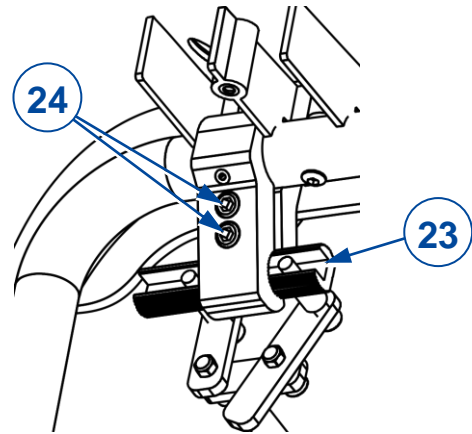
4. Montez les roues avant (2x) :
- Insérez les extrémités de tube des supports de roue dans les extrémités de tube de cadre.
 - Serrez bien les deux supports de roue avec la vis à tête creuse (21).
 - Vérifiez si les roues avant sont bien fixées.



5. Ajoutez les roues arrière :
- Uniquement le modèle 5" : Montez les deux roues arrière avec frein, cf. étape précédente.
 - Uniquement le modèle 24" : Insérez la broche de connexion (22) d'une roue 24" dans le logement de l'arbre sur le cadre jusqu'à ce que vous entendiez un clic. Répétez l'opération pour la deuxième roue.
 - Vérifiez si les roues arrière sont bien fixées.



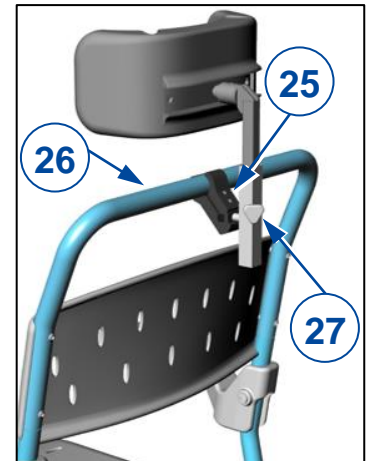
6. Réglez le frein de parking (uniquement pour le modèle 24") :
- Desserrez les deux vis à tête creuse (24).
 - Placez le frein de stationnement en position de freinage (levier de frein vers l'avant).
 - Glissez le support de frein de stationnement (23) jusqu'à ce que la butée de frein s'appuie contre le pneu.
 - Serrez les deux vis à tête creuse (24).
 - Vérifiez si le fauteuil de douche reste en position lorsque le frein est actionné. Si ce n'est pas le cas, répétez le réglage.
 - Répétez cette opération pour le deuxième frein de stationnement.
 - Assurez-vous que les deux supports de frein (23) sont bien fixés.



7. Pour ajouter un repose-pieds (6), cf. §3.3.

4.4 Monter et ajuster l'appui tête

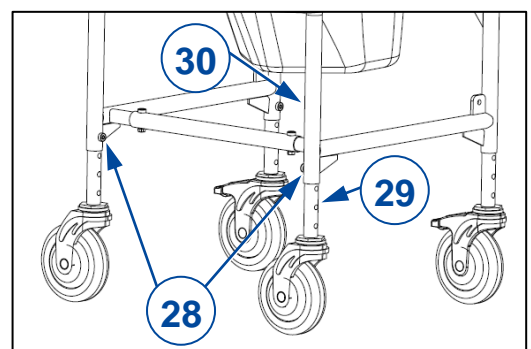
1. Desserrez les deux vis (25) du support d'appui tête.
2. Fixez l'appui tête au cadre du dossier (26).
3. Serrez fermement les deux vis (25). Assurez vous que l'appui tête soit bien fixé.
4. Desserrez le bouton (27) à la main pour régler la hauteur de l'appui tête à la position souhaitée, puis le resserrez fermement.



4.5 Réglage de la hauteur de siège (uniquement pour les roues de 5")

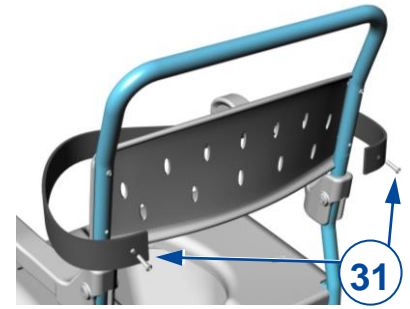
La hauteur du siège peut être réglée sur une distance de 90 mm (par pas de 30 mm).

1. Retirez la vis (28) du pied.
2. Réglez le pied à la hauteur souhaitée en faisant glisser le tube intérieur (29) vers le haut/bas dans le tube du cadre supérieur (30).
3. Replacez la vis (28) et serrez fermement.
4. Répétez l'opération pour les autres côtés. Assurez vous que tous les pieds à roulettes soient bien fixés et à la même hauteur.



4.6 Montage de la ceinture de sécurité

La ceinture de sécurité est fixée au cadre par les deux vis inférieures (31) du dossier.




4.7 Montage du support de sécurité

Pour monter le support de sécurité, faites le glisser latéralement sur les accoudoirs.

5 Entretien

5.1 Points d'entretien

 **ATTENTION** Risque de blessures et de dommages

Les réparations et les remplacements ne peuvent être réalisés que par des personnes formées, et seules des pièces de remplacement d'origine de Vermeiren peuvent être utilisées.

- i** La dernière page de ce manuel contient un formulaire d'enregistrement pour permettre au revendeur spécialisé de consigner chaque service.

La fréquence d'entretien dépend de la fréquence et de l'intensité de l'utilisation. Prenez contact avec votre commerçant pour convenir d'un rendez-vous pour une inspection/un entretien/une réparation.

Avant chaque utilisation

Inspectez les points suivants :

- Toutes les pièces : Présentes et sans dommage ni usure.
- Toutes les pièces : Propres, voir § 5.2.2.
- Roues, siège, repose-jambes, accoudoirs, repose-pieds, palettes repose-pieds et appuie-tête (si applicable): Bien serrés.
- État des roues/pneus, voir § 5.2.1.
- État des freins, cf. § 5.2.1.
- État du cadre : Pas de déformation, d'instabilité, de faiblesse ou de connexions desserrées
- Siège, dossier, manchettes, repose-jambes et appuie-tête (si applicable) : Pas d'usure excessive (bosses, dommages ou déchirures).

Contactez votre commerçant spécialisé pour les réparations et les remplacements de pièces éventuels.

Chaque année ou plus souvent

Faites inspecter et entretenir votre fauteuil de douche par votre revendeur spécialisé au moins une fois par an, ou plus. La fréquence d'entretien minimale dépend de l'usage et doit être déterminée de commun accord avec votre commerçant spécialisé.


5.2 Instructions d'entretien

5.2.1 Roues et pneus

- i** Un fonctionnement correct des freins dépend de l'état des pneus, qui peut changer en raison de l'usure et de la contamination (eau, huile, boue, ...).

- Éliminez les fils, cheveux, le sable, les fibres de carpe et les dépôts de savon de vos roues.
- Vérifiez le profil des pneus. Si la profondeur de la sculpture est inférieure à 1 mm, les pneus doivent être remplacés. Contactez votre commerçant spécialisé à ce propos.

5.2.2 Nettoyage

 **ATTENTION** Risque de dommages dus à l'humidité

- N'utilisez jamais un tuyau ou un nettoyeur à haute pression pour nettoyer le fauteuil roulant.

Essuyez toutes les parties rigides du fauteuil de douche avec un chiffon humide (pas détrempe). Si nécessaire, utilisez un savon doux, approprié pour les laques et les synthétiques. Le fauteuil de douche peut être nettoyé à 85°C pendant maximum 3 minutes.

5.2.3 Désinfection

 ATTENTION Risque de dommages

La désinfection ne peut être réalisée que par des personnes qualifiées. Renseignez-vous auprès de votre commerçant spécialisé à cet égard.

5.3 Résolution des problèmes

Même si vous utilisez votre fauteuil de douche de façon appropriée, les problèmes techniques ne sont pas exclus. Dans ce cas, contactez votre local revendeur spécialisé.

 AVERTISSEMENT Risque de blessures et de dommages au fauteuil de douche

- N'essayez JAMAIS de réparer votre fauteuil de douche vous-même.

Les symptômes suivants peuvent indiquer un problème grave. Par conséquent, prenez toujours contact avec votre revendeur spécialisé si vous détectez l'une des anomalies suivantes :

- Bruit anormal ;
- Usure inégale sur la sculpture de l'un des pneus ;
- Mouvements saccadés ;
- Le fauteuil roulant dévie d'un côté ;
- Ensembles de roues endommagés ou cassés.

5.4 Durée de vie attendue

La durée de vie moyenne de votre fauteuil de douche est de 5 ans. Selon la fréquence d'utilisation, les circonstances de conduite et d'entretien, la durée de vie de votre fauteuil de douche augmentera ou diminuera.

5.5 Mise au rebut

À la fin de sa durée de vie, votre fauteuil de douche doit être mis au rebut conformément à la législation environnementale locale. Il est recommandé de démonter le fauteuil de douche afin de faciliter le transport des matériaux recyclables.

6 Caractéristiques techniques

Les détails techniques ci-dessous concernent uniquement ce fauteuil de douche, dans le cadre de réglages standard et dans des conditions ambiantes optimales. Tenez compte de ces détails pendant l'utilisation. Les valeurs ne sont plus valables si votre fauteuil de douche a été modifié, endommagé ou présente une usure importante.

Tableau 1 : Caractéristiques techniques

La marque	VERMEIREN	
Type	Fauteuil de douche	
Modèle	Pluo	
Description	Dimensions Standard 5"	Dimensions Roues arrière 24"
Poids maximum de l'utilisateur	150 kg	150 kg
Hauteur totale	1035 mm	1035 mm
Largeur totale	600 mm	680 mm
Longueur totale (repose-pieds réglable)	720 - 760 - 785 mm	910 - 950 - 975 mm
Dimensions H x l x L replié	1035 x 570 x 570 mm	1035 x 623 x 570 mm
Hauteur et angle de repose-pieds (réglable)	90 - 105 - 120 mm 4° - 7° - 9°	90 - 105 - 120 mm 4° - 7° - 9°
Hauteur du siège	515 mm	515 mm
Profondeur du siège	450 mm	450 mm
Largeur du siège	480 mm	480 mm
Hauteur de dossier	920 mm	920 mm
Distance entre l'accoudoir et le siège	225 mm	225 mm
Emplacement à l'avant ou structure d'accoudoir (repose-pieds dans la position la plus en avant)	605-665 mm	605-665 mm
Poids total	9,7 kg	14,0 kg
Poids de la pièce la plus lourde	8,0 kg	7,2 kg
Poids des pièces amovibles	Roue 24" : NA Repose-pieds : 1,0 kg Seau : 0,7 kg	2,5 kg (chacun) 1,0 kg 0,7 kg
Volume seau	9,3 litres	9,3 litres
Diamètre roue avant	125 mm (2x, pivotante, sans frein)	125 mm (2x, pivotante sans frein)
Diamètre roue arrière	125 mm (2x, pivotante avec frein)	600 mm (2x fixe, avec frein)
Diamètre main courante	NA	530 mm
Température d'utilisation	5°C ~ +50°C	
Température propre	85°C pendant max. 3 minutes	
Température de stockage	+5°C ~ +65°C	
<p>Nous nous réservons le droit d'apporter des changements techniques. Tolérance de mesure ± 15 mm / 1,5 kg / 1,5°. NA = non applicable</p>		

Contents

Contents	1
Voorwoord	2
1 Uw product	3
1.1 Accessoires.....	3
2 Voor gebruik	4
2.1 Bedoeld gebruik.....	4
2.2 Algemene veiligheidsinstructies.....	4
2.3 Symbolen op de douchestoel.....	5
2.4 Eerste gebruik en opslag.....	5
3 Uw douchestoel gebruiken	6
3.1 Remmen.....	6
3.2 Armsteun.....	7
3.3 Voetsteun.....	7
3.4 Toilet emmer.....	7
3.5 In/uit de douchestoel gaan.....	7
3.6 Met de douchestoel rijden/verplaatsen.....	8
4 Montage en demontage	9
4.1 Gereedschappen.....	9
4.2 Leveringsomvang.....	9
4.3 (De) Montage.....	9
4.4 De hoofdsteun monteren/demonteren.....	11
4.5 De zithoogte aanpassen (enkel voor 5" wielen).....	11
4.6 De veiligheidsgordel bevestigen.....	11
4.7 De veiligheidsbeugel bevestigen.....	11
5 Onderhoud	12
5.1 Tijdstippen voor onderhoud.....	12
5.2 Instructies voor onderhoud.....	12
5.3 Probleemoplossing.....	13
5.4 Verwachte levensduur.....	13
5.5 Einde gebruik.....	13
6 Technische specificaties	14

Voorwoord

Lees deze handleiding aandachtig om u vertrouwd te maken met de bediening, de mogelijkheden en beperkingen van uw douchestoel.

Als u, na het lezen van deze handleiding, toch vragen heeft, aarzel dan niet om uw vakhandelaar te contacteren. Hij/Zij zal u graag helpen met uw vraag.

Om uw veiligheid te garanderen en om de levensduur van uw product te verlengen, raden we u aan om goed zorg te dragen voor uw product en om het regelmatig te (laten) inspecteren en onderhouden.

De garantie van dit product is gebaseerd op normaal gebruik en onderhoud zoals beschreven in deze handleiding en de bijbehorende documentatie. Bij schade aan uw product, ten gevolge van oneigenlijk gebruik of gebrek aan onderhoud, zal de garantie vervallen.

Deze handleiding weerspiegelt de laatste productontwikkelingen. Vermeiren heeft het recht om wijzigingen aan dit type product aan te brengen zonder de opgelegde verplichting om vergelijkbare producten, die voordien geleverd werden, aan te passen of te vervangen.

In deze handleiding worden afbeeldingen gebruikt om de instructies te verduidelijken. Details van de afgebeelde producten kunnen van uw product afwijken.

Op onze website <http://www.vermeiren.com/> kunt u altijd terecht voor de meest recente versie van onderstaande informatie. Raadpleeg a.u.b. deze website regelmatig voor mogelijke updates.

Personen met een visuele beperking kunnen de elektronische versie van de handleiding downloaden en met behulp van een tekst-naar-spraak softwareapplicatie laten voorlezen.



Rolstoel instructie

Voor gebruiker/begeleider/verzorger



Service handleiding voor
hygiëne ondersteunende producten

Voor de vakhandelaar



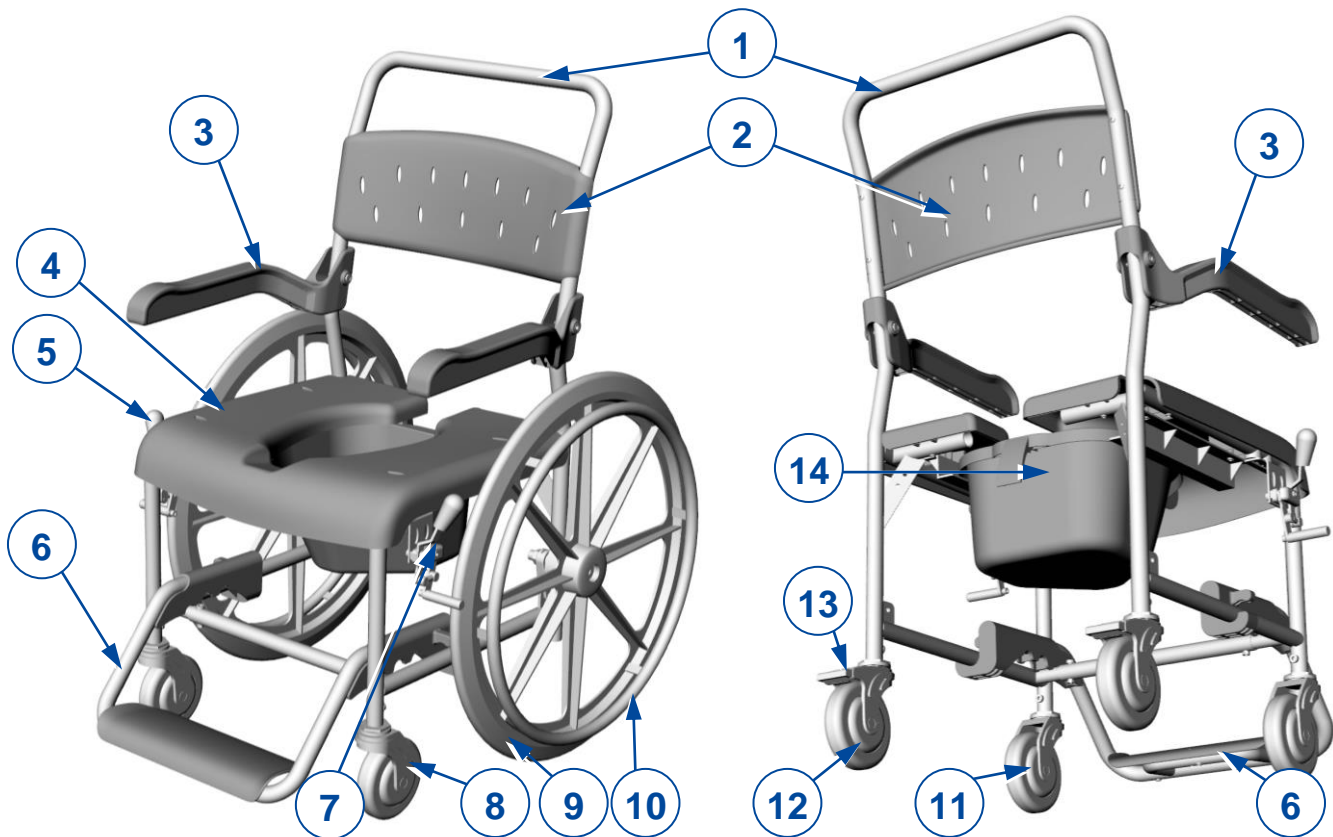
CE verklaring van overeenstemming

1 Uw product

Deze mobiele douchestoel met optionele toiletemmer is makkelijk voor gebruik in de badruimte en is beschikbaar met 4 zwenkwielen of met 24" achterwielen.

24" model, voorzijde

5" model, achterzijde



1. Rugsteun frame / duwstang
2. Rugsteun
3. Armsteun, draaibaar
4. Zit
5. Rem hendel
6. Voetsteun
7. Parkeerrem (alleen voor 24")

8. Voorwiel (stuurwiel)
9. Achterwiel 24"
10. Duwring/hoepel (alleen voor 24")
11. Voorwiel (stuurwiel)
12. Achterwiel 5"
13. Parkeerrem (alleen voor 5")
14. Toiletemmer

1.1 Accessoires

De volgende opties en accessoires zijn beschikbaar voor Pluo:

1. Verstelbare hoogte (enkel voor 5")
2. Hoofdsteun
3. Veiligheidsgordel
4. Veiligheidsvest
5. PU zit en rug
6. Gel zit
7. Zijsteun
8. Beveiligingsbeugel


2 Voor gebruik

2.1 Bedoeld gebruik

Deze paragraaf beschrijft in kort het bedoeld gebruik van uw douchestoel. Bij de instructies in de overige paragrafen zijn de nodige waarschuwingen opgenomen die dit aanvullen. Op deze manier willen we u bewust maken van het mogelijke misbruik dat kan optreden.

- Indicaties en contra-indicaties: De douchestoel is bedoeld voor mensen die moeilijk of niet kunnen lopen. De verschillende soorten accessoires zorgen ervoor dat de elektrische rolstoel ten volle kan worden gebruikt door geriatrische personen of mensen die invalide zijn omwille van: verlamming, verlies van ledematen (beenamputatie), defect of aandoeningen van ledematen, contracturen of gewrichtsaandoeningen, hart- en bloedsomloopinsufficiëntie, evenwichtsstoornissen, cachexie (afname van het spierweefsel).
- De rolstoel kan zowel binnenshuis als buiten gebruikt worden. De douchestoel met 5" wielen is bedoeld om door een begeleider bediend te worden; het 24" model kan ook door de gebruiker bediend worden.
- Deze douchestoel is enkel geschikt voor gebruik binnenshuis, als stoel in de badruimte of voor het transport van/naar de badruimte.
- Deze douchestoel is uitsluitend ontworpen en gemaakt voor het transport van één (1) persoon, met een maximaal gewicht van 150 kg. Hij is niet ontworpen voor het vervoer van goederen of objecten of voor een ander gebruik dan het eerstgenoemde transport.
- Indien van toepassing, gebruik enkel de accessoires en reserveonderdelen die door Vermeiren goedgekeurd zijn.
- Neem alle technische informatie en de grenzen van uw douchestoel door, zie §6.
- De garantie op dit product is gebaseerd op normaal gebruik en onderhoud zoals beschreven in deze handleiding. De garantie vervalt bij schade die werd veroorzaakt door verkeerd gebruik of gebrek aan onderhoud.

2.2 Algemene veiligheidsinstructies

 **VOORZICHTIG** Gevaar voor letsel en/of beschadiging

Lees de instructies in deze handleiding en volg ze nauwkeurig op. Zo niet, kan dit leiden tot lichamelijk letsel of beschadiging aan uw douchestoel.





Tijdens het gebruik, hou volgende algemene waarschuwingen in gedachte:

- Gebruik uw douchestoel NIET indien u onder invloed bent van alcohol, medicijnen of andere middelen die uw handelingen kunnen beïnvloeden. Dit geldt ook voor uw begeleider bij het bedienen van uw douchestoel.
- Hou er rekening mee dat uw douchestoel erg warm of koud kan worden ten gevolge van de omgevingstemperatuur, zonnestralen of verwarmingstoestellen. Wees dus voorzichtig bij het aanraken.
- Leun niet te ver naar voor of opzij om het kantelen van de douchestoel te voorkomen.
- Ga niet op de voetsteun staan.
- Til de douchestoel enkel op als hij leeg is. Hou hem vast aan de framebuizen.
- Inspecteer, voor elk gebruik, alle onderdelen op beschadigingen of scheuren. Indien de douchestoel niet in een goede staat verkeerd, mag u deze niet gebruiken. Contacteer uw vakhandelaar voor eventuele reparaties of vervanging.
- Pas uw douchestoel op geen enkele manier aan.
- Houd de instructies voor onderhoud in acht. De fabrikant is niet verantwoordelijk voor schade veroorzaakt door foutief onderhoud.

Indien zich een ernstig incident heeft voorgedaan met uw product, breng dan Vermeiren of uw gespecialiseerde dealer op de hoogte, evenals de bevoegde autoriteit in uw land.

2.3 Symbolen op de douchestoel

De symbolen in volgende lijst zijn van toepassing voor uw douchestoel. Symbolen kunnen teruggevonden worden in de betreffende ISO-norm (ISO 7000, ISO 7001 en IEC 417).

	Maximaal gewicht van de gebruiker in kg
	Enkel binnenshuis te gebruiken
	Type aanduiding
	Kans op beknelling

2.4 Eerste gebruik en opslag

 **VOORZICHTIG** Gevaar voor beschadiging aan de batterij

- Ga de technische details voor opslag na in hoofdstuk 5.

3 Uw douchestoel gebruiken

 **WAARSCHUWING** Gevaar voor letsel

- Lees eerst de voorgaande hoofdstukken en informeer uzelf over het beoogde gebruik. Gebruik uw douchestoel NIET voordat u alle instructies gelezen en begrepen heeft.
- Als u nog vragen heeft of als u ergens aan twijfelt, aarzel dan niet om contact op te nemen met uw lokale vakhandelaar, zorgverlener, of technisch adviseur om u te helpen.
- Let erop dat uw handen, kleding, riemen, gespen of juwelen niet tussen de wielen raken of tussen onderdelen tijdens het aanpassen.

3.1 Remmen

 **VOORZICHTIG** Kans op letsel en/of schade

- Gebruik de remmen niet om uw douchestoel af te remmen.

Uw douchestoel is uitgerust met twee parkeerremmen die manueel te bedienen zijn. Deze remmen zorgen ervoor dat de douchestoel blijft staan wanneer deze geparkeerd wordt.

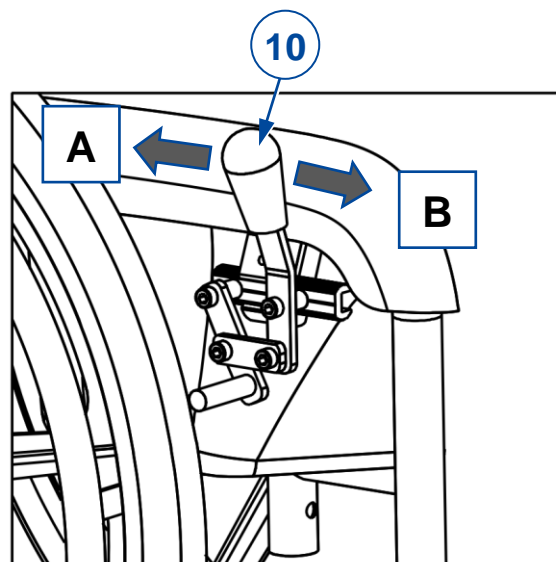
3.1.1 Parkeerremmen van het 24" model

Remmen afzetten [A]:

1. Hou met één hand een duwing vast (of uw begeleider houdt de duwstang met één hand vast).
2. Trek de remhendel (10) van het ANDERE wiel naar ACHTER.
3. Herhaal dit voor het tweede wiel en de parkeerrem.

Remmen opzetten [B]:

1. Hou met één hand een duwing vast (of uw begeleider houdt de duwstang met één hand vast).
2. Duw de remhendel (10) van het ANDERE wiel naar VOOR tot u een duidelijke blokkering voelt.
3. Herhaal dit voor het tweede wiel en de parkeerrem.



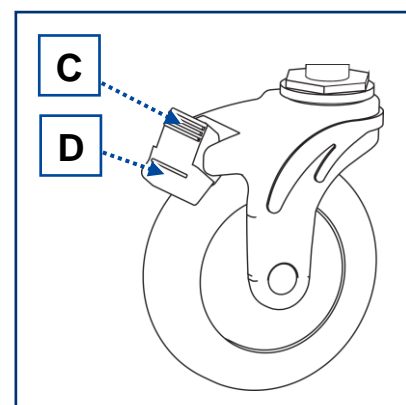
3.1.2 Parkeerremmen van het 5" model

Remmen afzetten [C]:

Gebruik uw voet om het bovenste deel van het remblok naar achter te duwen.

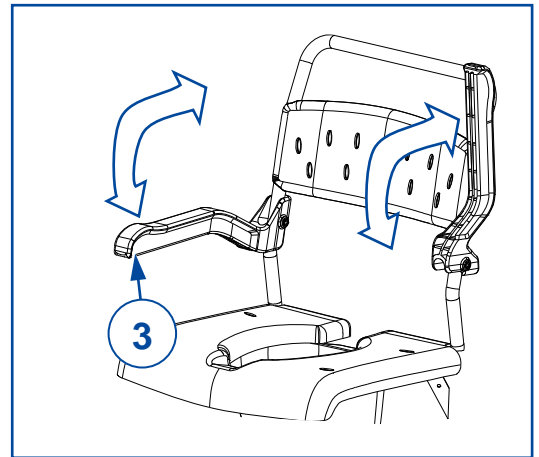
Remmen opzetten [D]:

Gebruik uw voet om het remblok naar te duwen, naar het zwenkwiel toe.



3.2 Armsteun

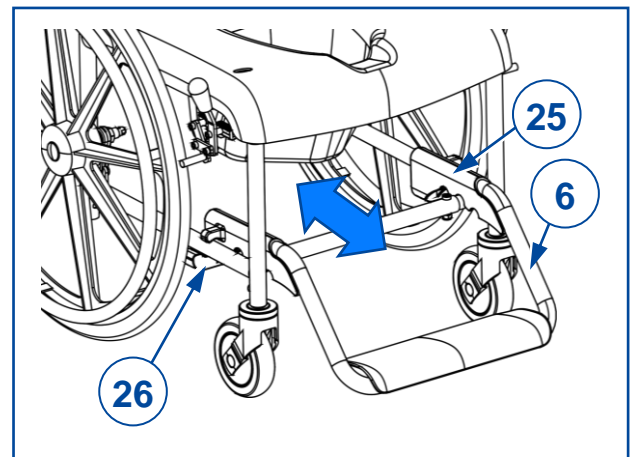
- Draai deze omhoog om ruimte te maken om te kunnen passeren.
- Draai deze neer om comfortabel te zitten.



3.3 Voetsteun

Wegschuiven & uittrekken:

- Duw met uw voet de voetsteun (6) naar binnen om plaats te maken, om te kunnen passeren.
- Om terug te zetten, trek de voetsteun naar voor. Zorg ervoor dat de voorste buis in de uitsparing van de voetsteunhouder (25) valt (3 standen mogelijk).



Verwijderen & installeren:

- Verwijder de voetsteun door klem (26), aan linker- en rechterzijde, van de frame buizen af te trekken. Schuif de voetsteun tussen de frame buizen van de voorwielen door.
- Om te plaatsen, duw de klem (26) van de voetsteun aan linker- en rechterzijde op de framebuis. Zorg ervoor dat de voorste buis in de uitsparing van de voetsteunhouder (25) valt.

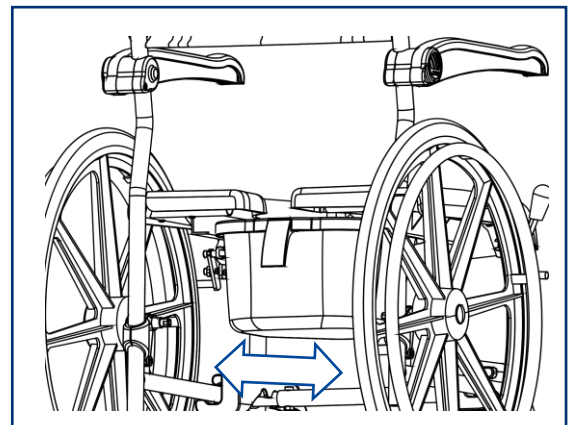
3.4 Toilet emmer

Plaatsen:

- Plaats de toilet emmer met zijn rand op de geleidingen, via de achterzijde van de stoel.
- Schuif de emmer naar voor tot tegen de aanslag.

Verwijderen:

- Schuif de emmer naar achter terwijl u hem met de andere hand ondersteunt.



3.5 In/uit de douchestoel gaan



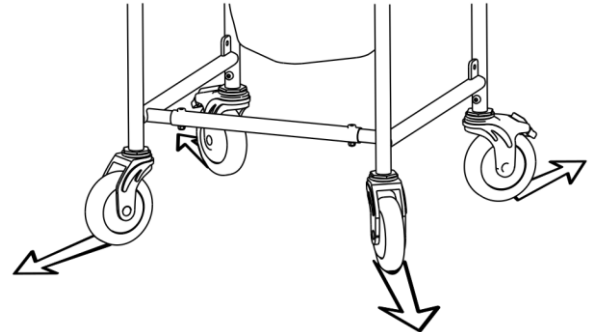
VOORZICHTIG

Kans op letsel en schade

- Vraag iemand ter hulp als het u niet lukt om op een veilige manier in/uit de douchestoel te gaan.
- Ga tijdens het in-/uitstappen niet op de voetplaat staan.
- Leun niet op de armsteunen tijdens transfer.

Transfer

- Plaats de douchestoel zo dicht mogelijk bij u, terwijl u in de stoel, zetel of bed zit.
- Draai de zwenkwielen naar buiten om een grotere stabiliteit te krijgen, zie afbeelding.
- Zet de beide parkeerremmen op, zie §3.1.
- Schuif de voetsteun onder de zit en draai aan één zijde de armsteun omhoog (zie §3.3 en §3.2).
- Gebruik de kracht van uw armen of de hulp van een begeleider of een til-hulp om in of uit de stoel te gaan.



In de douchestoel zitten

- Neem plaats op de zit, met uw onderrug tegen de rugsteun.
- Plaats de armsteun en/of voetsteun terug.
- Zet uw voeten op de voetplaat.
- Zorg dat uw bovenbenen horizontaal zijn; stel de voetsteun af, zie §3.3.

3.6 Met de douchestoel rijden/verplaatsen

- i** Informatie over hoe u drempels en obstakels neemt, kunt u terugvinden in onze Rolstoelhandleiding. Raadpleeg daarvoor onze website.

**VOORZICHTIG**

Kans op letsel en schade

- Voor elk gebruik verifieer dat:
 - alle onderdelen goed vast zitten, zie § 4.
 - de remmen naar behoren werken, zie §3.1.
- Hou uw voeten op de voetplaat.
- Drempels en obstakels kunnen beter achteruit opgereden worden.

4 Montage en demontage

**WAARSCHUWING**

Gevaar voor letsel of beschadiging

- Gebruik enkel de instellingen beschreven in deze handleiding.

4.1 Gereedschappen

Volgende gereedschappen zijn nodig om de douchestoel te (de)monteren:

- Sleutel nr. 13
- Inbussleutel set n° 3 - 4 – 5

4.2 Leveringsomvang

Afhankelijk van de verpakkingswijze zullen het frame en de wielen gemonteerd of gedemonteerd zijn. Bij de kleine verpakkingen met gedemonteerd frame, maken volgende onderdelen deel uit van de leveringen:

- Linker frame met armsteun
- Rechter frame met armsteun
- Voorste framebuis
- Frame van rugsteun
- Rugsteun
- Twee steunen met zwenkwielen, zonder remmen.
- Twee steunen met zwenkwielen, inclusief remmen (enkel voor het 5" model)
- Twee 24" achterwielen (enkel voor het 24" model)
- Voetsteun
- Accessoires
- Gebruiksaanwijzing

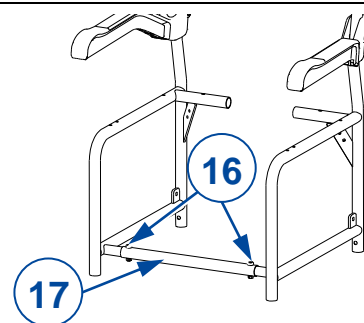
Verifieer, voor gebruik, of alles aanwezig is en dat er geen producten beschadigd zijn.

4.3 (De) Montage

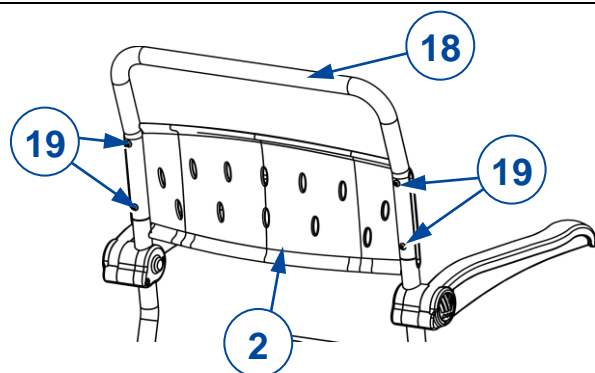


Volgende instructie beschrijft de montage van de stoel. Om te demonteren, volgt u de stappen in omgekeerde volgorde.

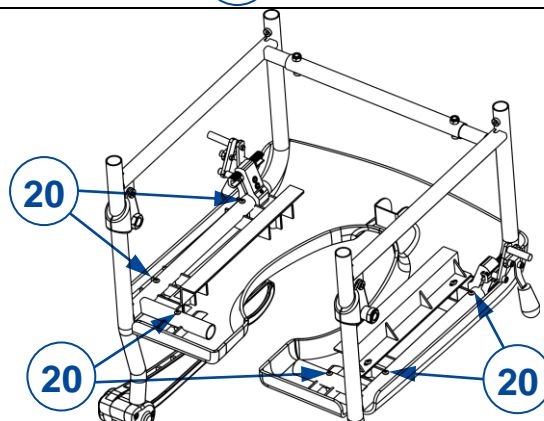
1. Verbind het rechter- en linkerframe met de framebuis (17) die aan de voorzijde komt:
 - Steek de inbusbouten (16) in de framegaten en zet ze goed vast.
 - Verifieer of de frameonderdelen goed vast zitten.



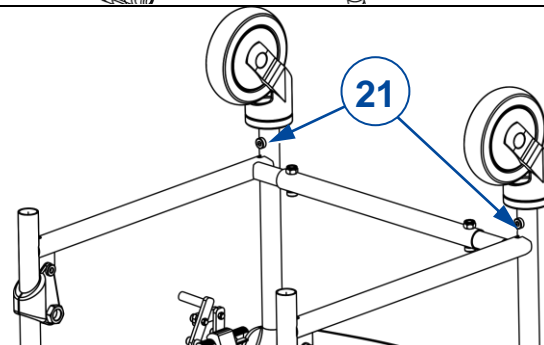
2. Verbind het linker- en rechterframe aan de achterzijde met rugsteun-frame (18).
- Schuif rugsteun-frame (18) over de uitstekende buisuiteinden van de beide zij-frames.
 - Monteer de rugsteun (2) met de gebogen zijde aan de bovenkant.
 - Gebruik de vier inbusbouten (19) en draai deze goed vast.



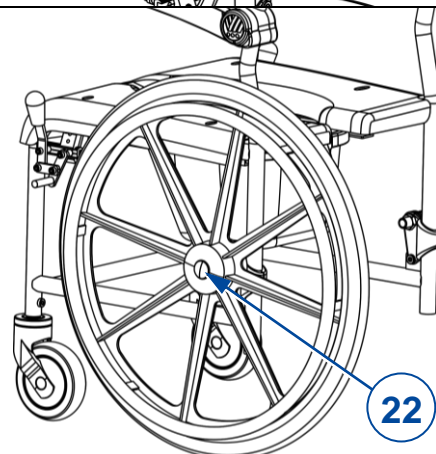
3. Monteer de zit:
- Draai het frame om en plaats het zitframe op de onderkant van de zit.
 - Zorg ervoor dat de aanslag voor de emmer aan de voorzijde zit.
 - Zet de zit met de 2x3 inbusbouten (20) goed vast.



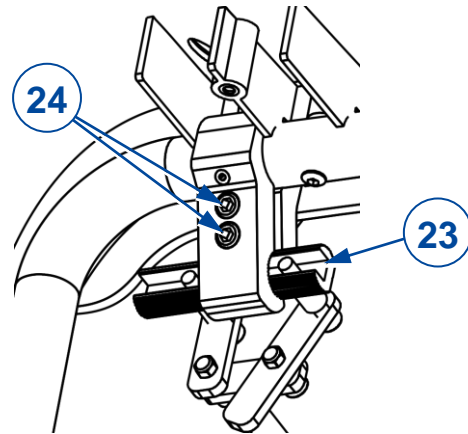
4. Monteer de voorwielen (2x):
- Steek het buisuiteinde van de wielsteunen in de frame uiteinden.
 - Zet beide wielsteunen goed vast met de inbusbout (21).
 - Verifieer dat de voorwielen goed vast staan.



5. Plaats de achterwielen:
- Enkel voor het 5" model: Monteer beide achterwielen met remmen volgens de voorgaande stap.
 - Enkel voor het 24" model: Steek de verbindingspen (22) van het 24" wiel in het as-huis op het frame tot er een klik hoorbaar is. Herhaal dit voor het tweede wiel.
 - Verifieer dat de achterwielen goed vast zitten.



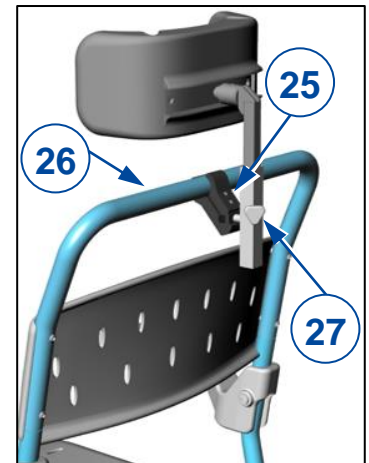
6. Pas de parkeerrem aan (enkel voor 24" model):
- Zet de twee inbusbouten (24) los.
 - Zet de parkeerrem in remstand (remhendel naar voor).
 - Schuif de steun (23) van de parkeerrem op tot de rem tegen de band drukt.
 - Zet de twee inbusbouten (24) vast.
 - Verifieer dat de douchestoel op zijn plaats blijft als de rem op staat. Herhaal de afstelling als dit niet het geval is.
 - Herhaal dit voor de tweede parkeerrem.
 - Let erop dat beide steunen (23) goed vast staan.



7. Om de voetsteun (6) te plaatsen, zie §3.3.

4.4 De hoofdsteun monteren/demonteren

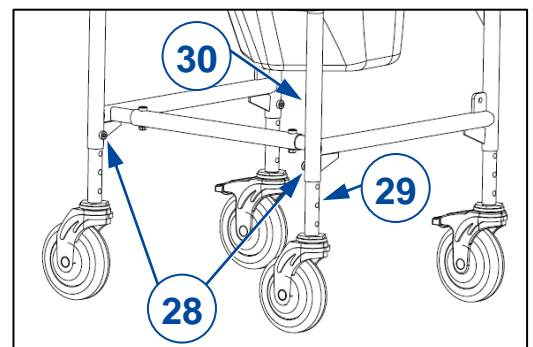
1. Draai de twee schroeven (25) van de hoofdsteunbevestiging los.
2. Klem de hoofdsteun vast op het achterframe (26).
3. Draai beide schroeven (25) weer vast aan. Zorg ervoor dat de hoofdsteun stevig bevestigd is.
4. Draai de sterknop (27) los om de hoofdsteun omhoog/omlaag te bewegen tot de gewenste positie. Draai de knop weer handvast aan.



4.5 De zithoogte aanpassen (enkel voor 5" wielen)

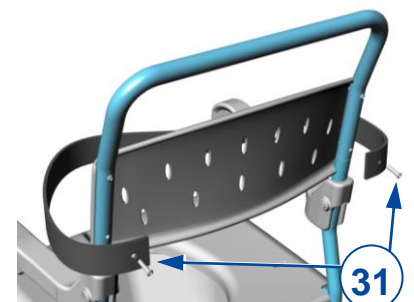
De zithoogte kan aangepast worden over een afstand van 90 mm (in stappen van 30 mm).

1. Verwijder de schroef (28) uit de buis.
2. Pas de hoogte van de stoelpoot aan tot de gewenste hoogte door de binnenbuis (29) omhoog/omlaag te schuiven in de buitenbuis (30).
3. Plaats de schroef (28) terug en draai stevig aan.
4. Herhaal voor de andere stoelpoten. Zorg ervoor dat alle poten stevig werden vastgemaakt, en dat ze op dezelfde hoogte werden ingesteld.



4.6 De veiligheidsgordel bevestigen

De veiligheidsgordel wordt bevestigd aan het frame met de twee onderste schroeven van de rug (31).



4.7 De veiligheidsbeugel bevestigen

Om de veiligheidsbeugel te bevestigen, schuift u hem zijwaarts op de armsteunen, van één kant van de stoel naar de andere.

5 Onderhoud

5.1 Tijdstippen voor onderhoud

 **VOORZICHTIG** Gevaar voor letsel of beschadiging

Reparaties en vervangingen mogen enkel uitgevoerd worden door opgeleid personeel, en enkel originele onderdelen van Vermeiren mogen hierbij gebruikt worden.

- i** De laatste pagina van deze handleiding bevat een registratieformulier, bedoeld voor de vakhandelaar om ieder onderhoud te registreren.

De onderhoudsfrequentie hangt af van de frequentie en intensiteit van gebruik. Neem contact op met uw vakhandelaar om een tijdschema vast te leggen voor nazicht/onderhoud/repairatie.

Voor ieder gebruik

Kijk de volgende punten na:

- Alle onderdelen: aanwezig en niet beschadigd of versleten.
- Alle onderdelen: schoon, zie 5.2.2.
- Wielen, zit, beensteunen, armsteunen, voetsteunen, voetplaten en hoofdsteun (indien van toepassing): stevig bevestigd.
- Staat van de wielen/banden, zie § 5.2.1.
- Staat van de remmen, zie § 5.2.1.
- Staat van het frame: geen vervorming, instabiliteit, zwakte of losse verbindingen.
- Zit, rugsteun, armleggers, kuitsteunen en hoofdsteun (indien van toepassing): geen overmatige slijtage (bijv. gedeukte plekken, schade of scheuren).

Contacteer uw vakhandelaar voor eventuele reparaties of vervanging van onderdelen.

Jaarlijks of vaker

Laat uw douchestoel nakijken en onderhouden door uw vakhandelaar, ten minste één keer per jaar of vaker. De minimale onderhoudsfrequentie is afhankelijk van het gebruik en moet daarom besproken worden met uw vakhandelaar.


5.2 Instructies voor onderhoud

5.2.1 Wielen en banden

- i** De goede werking van de remmen hangt af van de staat van de banden, die onderhevig zijn aan slijtage en verontreiniging (water, olie, modder,...).

- Houd de wielen vrij van draden, haar, zand, vezels en zeepresten.
- Kijk het profiel van de banden na. Als de profieldiepte minder dan 1 mm bedraagt, moeten de banden vervangen worden. Contacteer hiervoor uw vakhandelaar.

5.2.2 Schoonmaak

 **VOORZICHTIG** Gevaar voor beschadiging door vocht

- Gebruik nooit een tuinslang of hogedrukreiniger om de douchestoel schoon te maken.

Veeg alle harde onderdelen van de douchestoel schoon met een vochtig doek (niet doorweekt). Indien nodig, gebruik een milde zeep die geschikt is voor vernis en synthetische materialen. De douchestoel mag gedurende maximaal 3 minuten op 85°C gereinigd worden.

5.2.3 Ontsmetting

 **VOORZICHTIG** Gevaar voor beschadiging

Ontsmetting mag enkel worden uitgevoerd door getraind personeel. Neem contact op met uw vakhandelaar.

5.3 Probleemoplossing

Ook wanneer u de douchestoel correct gebruikt, is het toch mogelijk dat er een technisch probleem optreedt. Neem in dat geval contact op met uw vakhandelaar.

 **WAAARSCHUWING** Gevaar voor letsel of beschadiging aan de douchestoel

- Probeer NOOIT zelf uw douchestoel te repareren.

De volgende tekenen kunnen wijzen op een ernstig probleem. Neem daarom steeds contact op met uw vakhandelaar als u een van de volgende afwijkingen opmerkt:

- Vreemde geluiden;
- Oneven bandenslijtage op een van de banden;
- Schokkerige bewegingen;
- De rolstoel buigt af naar één kant;
- Beschadigde of kapotte wielmontages.

5.4 Verwachte levensduur

De gemiddelde levensduur van uw douchestoel is 5 jaar. De levensduur zal toenemen of afnemen afhankelijk van de gebruiksfrequentie, rijomstandigheden en onderhoud.

5.5 Einde gebruik

Bij einde levensduur dient u de douchestoel en alle toebehoren volgens de lokale milieuwetgeving af te voeren. Best kunt u de douchestoel demonteren zodat de herbruikbare materialen makkelijker vervoerd en gerecycleerd kunnen worden.

6 Technische specificaties

Onderstaande technische gegevens zijn geldig voor deze douchestoel, bij standaard instellingen en optimale omgevingscondities. Hou rekening met deze gegevens tijdens gebruik. De waarden gelden niet meer ingeval van aanpassingen, schade of ernstige slijtage aan uw douchestoel.

Tabel 1: Technische specificaties

Merk	VERMEIREN	
Type	Douchestoel	
Model	Pluo	
Beschrijving	Afmetingen 5" standaard	Afmetingen 24" achterwielen
Max. gewicht gebruiker	150 kg	150 kg
Totale hoogte	1035 mm	1035 mm
Totale breedte	600 mm	680 mm
Totale lengte (instelbare voetsteun)	720 - 760 - 785 mm	910 - 950 - 975 mm
Afmetingen H x B x L, gevouwen	1035 x 570 x 570 mm	1035 x 623 x 570 mm
Voetsteun hoogte en hoek (instelbaar)	90 - 105 - 120 mm 4° - 7° - 9°	90 - 105 - 120 mm 4° - 7° - 9°
Zithoogte	515 mm	515 mm
Zitdiepte	450 mm	450 mm
Zitbreedte	480 mm	480 mm
Hoogte van de rugsteun	920 mm	920 mm
Afstand tussen armsteun en zit	225 mm	225 mm
Voorste punt van de armsteun frame (voetsteun in voorste stand)	605-665 mm	605-665 mm
Totale massa	9,7 kg	14,0 kg
Massa van zwaarste onderdeel	8,0 kg	7,2 kg
Massa van onderdelen die verwijderd kunnen worden		
	24" wiel: Voetsteun: Toilet emmer:	NVT 2,5 kg (elk) 1,0 kg 0,7 kg
Volume toilet bucket	9,3 liter	9,3 liter
Diameter voorwielen	125 mm (2x, zwenkwielen zonder remmen)	125 mm (2x, zwenkwielen zonder remmen)
Diameter achterwielen	125 mm (2x, zwenkwielen met remmen)	600 mm (2x, vast wielen met remmen)
Diameter duwring	NVT	530 mm
Temperatuur voor gebruik	5°C ~ +50°C	
Temperatuur voor reiniging	85°C gedurende max. 3 minutes	
Temperatuur voor opslag	+5°C ~ +65°C	
<p>We behouden ons het recht voor om technische wijzigingen te introduceren. Meettolerantie ± 15 mm / 1,5 kg / 1,5°. NVT = niet van toepassing</p>		

Inhalt	1
Vorwort	2
1 Ihr Produkt	3
1.1 Zubehör	3
2 Vor der Benutzung	4
2.1 Vorgesehene Benutzung	4
2.2 Allgemeine Sicherheitshinweise	4
2.3 Symbole am Duschstuhl.....	5
2.4 Erstbenutzung und Lagerung	5
3 Benutzung des Duschstuhls	6
3.1 Bremsen	6
3.2 Armablage	7
3.3 Fußstütze	7
3.4 Toilettentopf	7
3.5 Transfer in den/aus dem Duschstuhl	8
3.6 Fahren mit dem Duschstuhl	8
4 Montage und Einstellungen	9
4.1 Werkzeuge	9
4.2 Lieferumfang	9
4.3 (De)Montage	9
4.4 Montage und Einstellung der Kopfstütze	11
4.5 Einstellung der Sitzhöhe (nur bei 5" Rädern möglich)	11
4.6 Montage des Sicherheitsgurtes	11
4.7 Montage der Sicherungshalterung	11
5 Instandhaltung	12
5.1 Wartungspunkte	12
5.2 Wartungshinweise	12
5.3 Störungsbeseitigung.....	13
5.4 Voraussichtliche Nutzungsdauer	13
5.5 Nutzungsende	13
6 Technische Daten	14

Vorwort

DE

Lesen Sie diese Anleitung bitte aufmerksam durch, um sich mit der Bedienung, den Fähigkeiten und Beschränkungen Ihres Duschstuhls vertraut zu machen.

Sollten Sie nach der Lektüre dieses Handbuchs noch Fragen haben, können Sie sich jederzeit an Ihren Fachhändler wenden. Er wird Ihnen gerne in dieser Angelegenheit weiterhelfen.

Um Ihre Sicherheit zu gewährleisten und die Nutzungsdauer Ihres Produkts zu verlängern, sollten Sie es gut behandeln und regelmäßig überprüfen und/oder warten lassen.

Die Garantie für dieses Produkt beruht auf dessen normaler Benutzung und Wartung wie in diesem Handbuch beschrieben. Schäden an Ihrem Produkt, die auf unsachgemäße Benutzung oder mangelnde Wartung zurückzuführen sind, führen zum Erlöschen der Garantie.

Dieses Handbuch enthält die neuesten Produktentwicklungen. Vermeiren behält sich das Recht vor, Veränderungen an dieser Art von Produkt vorzunehmen, ohne eine Verpflichtung einzugehen, ähnliche bereits ausgelieferte Produkte anzupassen oder auszutauschen.

Die Abbildungen dienen zur Verdeutlichung der Anweisungen in diesem Handbuch. Das gezeigte Produkt kann in Details von Ihrem Produkt abweichen.

Auf unserer Webseite <http://www.vermeiren.com/> finden Sie stets die aktuellste Version der folgenden Informationen. Informieren Sie sich bitte regelmäßig auf dieser Website nach eventuell verfügbaren Aktualisierungen.

Sehbehinderte Menschen können sich die elektronische Version dieses Handbuchs herunterladen und mit Hilfe einer Sprachsyntheselösung („Text-to-Speech-Software“) vorlesen lassen.



Rollstuhlanleitung

Für Benutzer/Begleitperson/Pflegeperson



Servicehandbuch für Hygieneunterstützung

Für Fachhändler



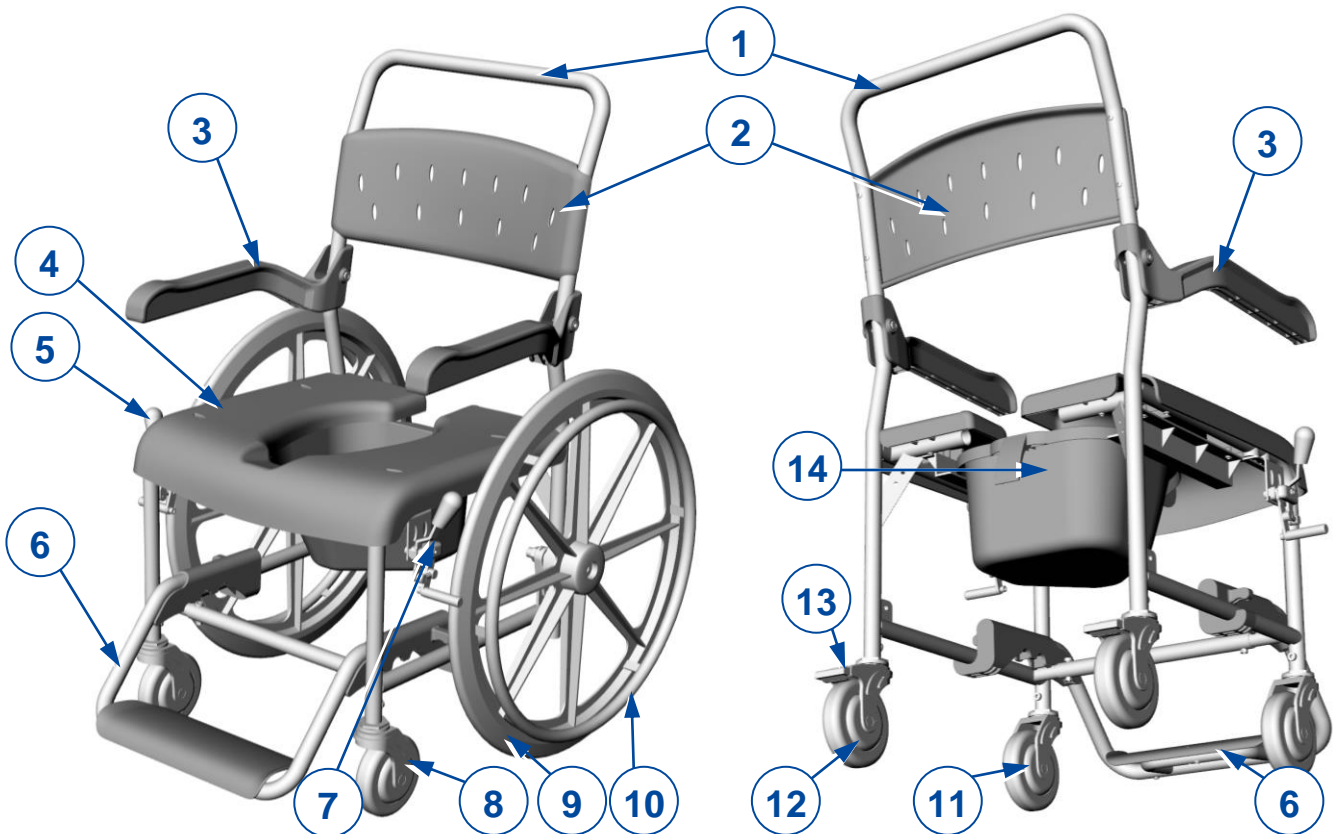
EG-Konformitätserklärung

1 Ihr Produkt

Dieser fahrbare Duschstuhl mit optionalem Toilettentopf ist problemlos in Badezimmern einsetzbar und ist mit vier Schwenkrädern oder 24-Zoll-Hinterrädern erhältlich.

24-Zoll-Modell vorn

5-Zoll-Modell hinten



1. Rücklehnrahmen / schiebebügel
2. Rückenlehne
3. Klappbare armablage
4. Sitz
5. Bremshebel
6. Fusstütze
7. Feststellbremse (nur bei 24 Zoll)

8. Vorderrad (lenkung)
9. Hinterrad 24 Zoll
10. Greifring (nur bei 24 Zoll)
11. Vorderrad (lenkung)
12. Hinterrad 5 Zoll
13. Feststellbremse (nur bei 5 Zoll)
14. Toilettentopf

1.1 Zubehör

Folgendes Zubehör ist für den Pluo erhältlich:

1. Einstellbare Beinhöhe (nur 5")
2. Kopfstütze
3. Sicherheitsgurt
4. Sicherheitsweste
5. Sitz und Rücken aus PU-Schaum
6. Gel-Sitz
7. Seitliche Unterstützung für mehr Stabilität
8. Sicherheitsbügel

2 Vor der Benutzung

DE

2.1 Vorgesehene Benutzung

Dieses Kapitel enthält eine kurze Beschreibung der vorgesehenen Benutzung Ihres Duschstuhls. Darüber hinaus enthalten die Anweisungen in den anderen Kapiteln zusätzliche Warnhinweise. Auf diese Weise wollen wir Sie auf die Möglichkeit einer unsachgemäßen Benutzung hinweisen.

- Indikationen und Kontraindikationen: Der Duschstuhl ist ausschließlich für den Transport von gehbehinderten oder gehunfähigen Menschen vorgesehen. Die Ausstattungsvarianten erlauben den Einsatz des Rollstuhls für ältere Menschen und bei Gehbehinderung/Gehunfähigkeit aufgrund von: Lähmungen, Gliedmaßenverlust, Gliedmaßendefekt oder -deformation, Gelenkkontrakturen oder -schäden, Herzkrankheiten oder schwachem Blutkreislauf, Gleichgewichtsstörungen, Kachexie (Muskelschwund). Der 5-Zoll-Duschstuhl ist für die Bedienung durch eine Begleitperson vorgesehen; das 24-Zoll-Modell kann auch vom Sitzenden selbst bedient werden.
- Dieser Duschstuhl ist nur für den Gebrauch in Innenräumen als Badezimmerstuhl sowie für den Transport zum/vom Badezimmer geeignet.
- Er ist ausschließlich dafür konzipiert und gefertigt, eine (1) Person mit einem Gewicht von maximal 150 kg zu transportieren. Er ist nicht dafür vorgesehen, Sachen oder Objekte zu transportieren oder zu anderen Zwecken als zuvor beschrieben benutzt zu werden.
- Verwenden Sie möglichst ausschließlich von Vermeiren genehmigte Zubehör- oder Ersatzteile.
- Sehen Sie sich auch die technischen Daten und die Grenzen Ihres Duschstuhls in Kapitel 6 an.
- Die Garantie für dieses Produkt beruht auf dessen normaler Benutzung und Wartung wie in diesem Handbuch beschrieben. Schäden an Ihrem Produkt, die auf unsachgemäße Benutzung oder mangelnde Wartung zurückzuführen sind, führen zum Erlöschen der Garantie.

2.2 Allgemeine Sicherheitshinweise

 **VORSICHT** Gefahr von Personen- und/oder Sachschäden

Bitte lesen und befolgen Sie die Anweisungen in dieser Bedienungsanleitung, da andernfalls Verletzungsgefahr besteht oder Ihr Duschstuhl beschädigt werden könnte.

Beachten Sie bei der Benutzung die folgenden allgemeinen Warnhinweise:

- Benutzen Sie Ihren Duschstuhl nicht, wenn Sie unter dem Einfluss von Alkohol, Medikamenten oder anderen Substanzen stehen, die Ihre Fahrtüchtigkeit beeinträchtigen könnten. Dies gilt auch für Ihre Begleitperson, die den Duschstuhl bedient.
- Beachten Sie, dass der Duschstuhl durch die Umgebungstemperatur, Sonneneinstrahlung, Heizkörper oder Duschwasser sehr warm oder sehr kalt werden können. Seien Sie daher vorsichtig beim Berühren.
- Lehnen Sie sich nicht zu weit nach vorn oder zur Seite, um ein Umkippen zu vermeiden.
- Stellen Sie sich nicht auf die Fußstütze.
- Heben Sie den Duschstuhl nur an, wenn er leer ist. Greifen Sie den Duschstuhl an den Rahmenröhren.
- Kontrollieren Sie vor Gebrauch alle Teile auf Beschädigungen oder Brüche. Benutzen Sie den Duschstuhl nicht, wenn er sich einem schlechten Zustand befindet. Wenden Sie sich wegen etwaiger Reparaturen oder Ersatzteilen an Ihren Fachhändler.
- Nehmen Sie keinerlei Veränderungen an Ihrem Duschstuhl vor.
- Beachten Sie die Pflege- und Wartungshinweise. Bei Schäden aufgrund von mangelnder Wartung/Pflege haftet der Hersteller nicht.

Sollte sich ein schwerwiegender Zwischenfall mit Ihrem Produkt ereignet haben, benachrichtigen Sie Vermeiren oder Ihren Fachhändler sowie die zuständige Behörde in Ihrem Land.

2.3 Symbole am Duschstuhl

Die nachstehend aufgeführten Symbole gelten für Ihren Duschstuhl. Symbole sind in der entsprechenden ISO-Norm (ISO 7000, ISO 7001 und IEC 417) zu finden.



Maximalgewicht des Benutzers (in kg)



Nur für den Gebrauch in Innenräumen



Typbezeichnung



Klemmgefahr

2.4 Erstbenutzung und Lagerung

 VORSICHT Gefahr eines Akkuschadens

- Informieren Sie sich über die technischen Details der Lagerung (siehe Abschnitt 6).

3 Benutzung des Duschstuhls



WARNUNG

Verletzungsgefahr

- Lesen Sie zuerst die vorherigen Kapitel und informieren Sie sich über die beabsichtigte Verwendung. Verwenden Sie Ihren Duschstuhl NICHT, wenn Sie nicht alle Anweisungen gelesen und verstanden haben.
- Im Zweifelsfall oder bei Fragen wenden Sie sich bitte an Ihren örtlichen Fachhändler, Ihren Pflegedienst oder technischen Berater, um Ihnen zu helfen.
- Achten Sie darauf, dass Finger, Kleidung, Gürtel, Schnallen oder Schmuck nicht von den Rädern oder beim Einstellen erfasst werden.

3.1 Bremsen



VORSICHT

Gefahr von Personen- und/oder Sachschäden

- Benutzen Sie die Feststellbremsen keinesfalls, um den in Bewegung befindlichen Duschstuhl abzubremsen.

Ihr Duschstuhl hat zwei manuell bediente Feststellbremsen. Diese Bremsen sollen verhindern, dass sich der abgestellte Rollstuhl in Bewegung setzen kann.

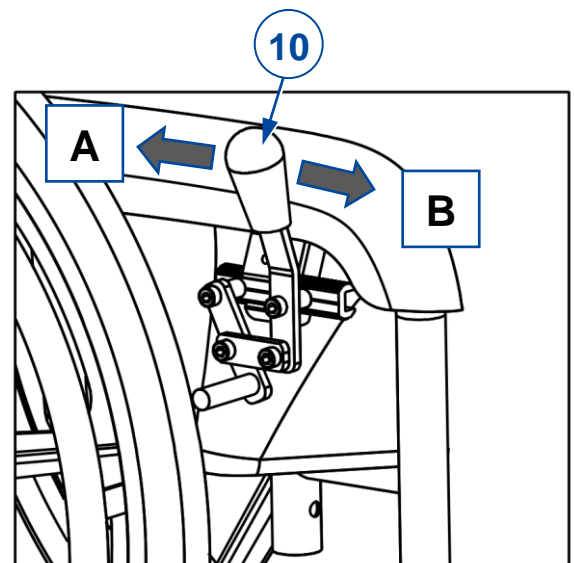
3.1.1 Feststellbremsen beim 24-Zoll-Modell

Bremsen lösen [A]:

1. Halten Sie den Greifring mit einer Hand fest (oder Ihre Begleitperson hält den Schiebebügel fest).
2. Ziehen Sie den Bremshebel (10) des ANDEREN Rades nach HINTEN.
3. Wiederholen Sie diesen Vorgang für das zweite Rad und die Feststellbremse.

Bremsen betätigen [B]:

1. Halten Sie den Greifring mit einer Hand fest (oder Ihre Begleitperson hält den Schiebebügel fest).
2. Drücken Sie den Bremshebel (10) des ANDEREN Rades nach VORN, bis Sie spüren, dass es arretiert ist.
3. Wiederholen Sie diesen Vorgang für das zweite Rad und die Feststellbremse.



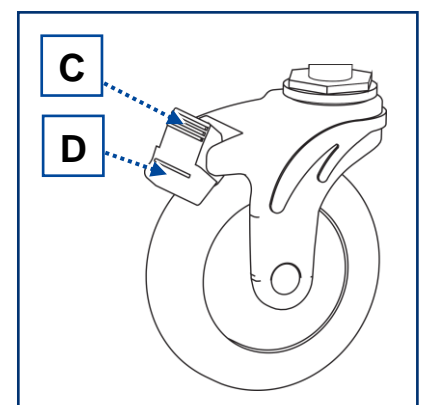
3.1.2 Feststellbremsen beim 5-Zoll-Modell

Bremsen lösen [C]:

Drücken Sie mit dem Fuß den oberen Teil des Bremshebels nach hinten.

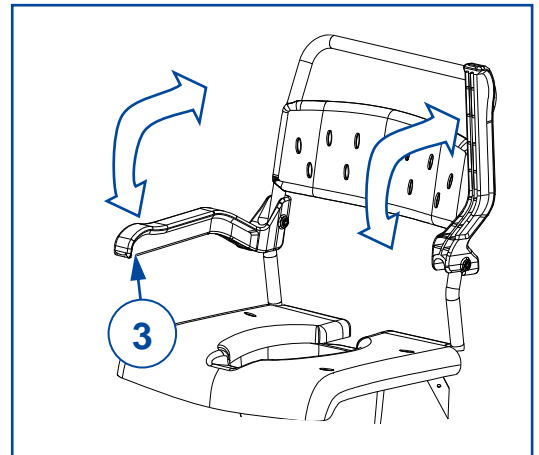
Bremsen betätigen [D]:

Drücken Sie mit dem Fuß den unteren Teil des Bremshebels gegen die Lenkrolle.



3.2 Armablage

- Schwenken Sie sie nach oben, um Platz zu schaffen.
- Schwenken Sie sie nach unten, um bequem zu sitzen.



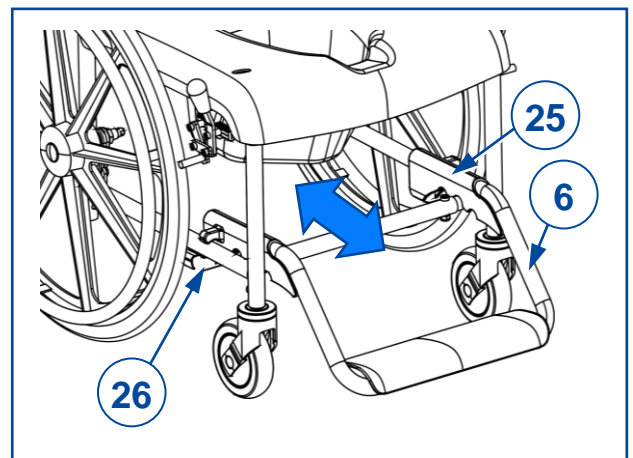
3.3 Fußstütze

Ein- und Ausklappen:

- Drücken Sie die Fußstütze (6) mit dem Fuß nach innen, um Platz zu schaffen.
- Ziehen Sie wieder heraus, um die Füße abzustellen. Achten Sie darauf, dass das vordere Rohr in die Aussparung der Fußstützenhalterung (25) greift (3 Positionen verfügbar).

Demontieren und Montieren:

- Ziehen Sie den Bügel (26) links und rechts vom Rahmenrohr. Schwenken Sie die Fußstütze zwischen die Rahmenrohre der Vorderräder.
- Zum Montieren drücken Sie den Bügel (26) links und rechts auf das Rahmenrohr. Achten Sie darauf, dass das vordere Rohr in die Aussparung der Fußstützenhalterung (25) greift.



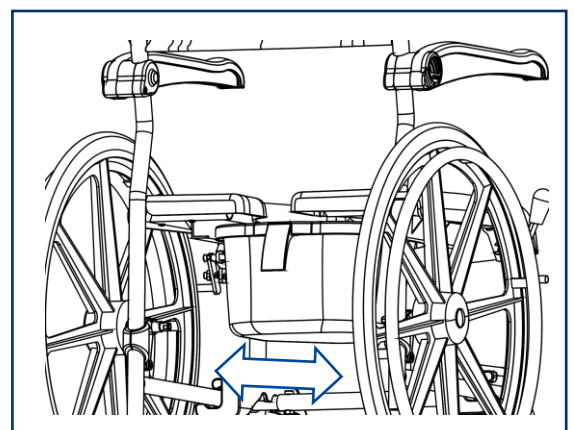
3.4 Toilettentopf

Einsetzen:

- Setzen Sie den Toilettentopf an der Hinterseite mit dem Rahmen auf den beiden Führungen ein.
- Schieben Sie ihn nach vorn bis zum Topfstopp.

Entnehmen:

- Schieben Sie den Topf nach hinten und halten Sie ihn dabei mit der anderen Hand fest.



3.5 Transfer in den/aus dem Duschstuhl



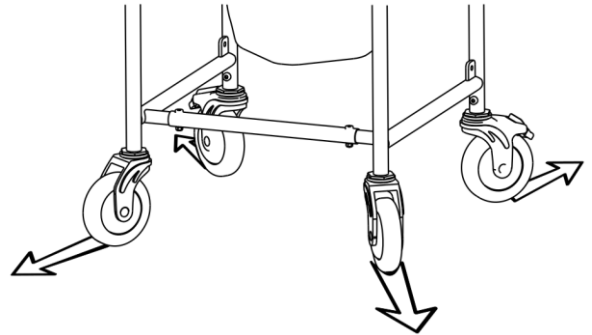
VORSICHT

Gefahr von Personen- oder Sachschäden

- Falls Sie den Vorgang allein nicht sicher bewältigen können, bitten Sie jemanden um Hilfe.
- Stellen Sie sich beim Umsetzen in den oder aus dem Duschstuhl nicht auf die Fußplatten.
- Stützen Sie sich beim Umsetzen in den oder aus dem Duschstuhl nicht auf die Armablagen.

Transfer

- Stellen Sie den Duschstuhl möglichst dicht neben sich, wenn Sie in einem Sessel, auf einem Sofa, Stuhl oder Bett sitzen.
- Drehen Sie die Schwenkräder nach außen, um mehr Stabilität zu haben (siehe Abbildung).
- Betätigen Sie die Bremsen (siehe Kapitel 3.1).
- Drücken Sie die Fußstütze unter den Sitz und schwenken Sie die Armablage auf einer Seite nach oben (siehe Kapitel 3.3 und 3.2).
- Bewegen Sie sich aus eigener Kraft mit den Armen oder mit Hilfe einer Begleitperson oder einer Hebevorrichtung in den Duschstuhl hinein oder aus ihm heraus.



Sitzen im Rollstuhl

- Setzen Sie sich so hin, dass Ihr unterer Lendenbereich an der Rückenlehne anliegt
- Armablage und/oder Fußstütze wieder anbringen.
- Stellen Sie Ihre Füße auf die Fußplatte.
- Achten Sie darauf, dass Ihre Oberschenkel horizontal sind; passen Sie die Fußstütze ggf. an (siehe Kapitel 3.3).

3.6 Fahren mit dem Duschstuhl

i Hinweise zum Befahren von Schwellen oder Hindernissen finden Sie in unserer Rollstuhlanleitung (besuchen Sie dazu bitte unsere Website).



VORSICHT

Gefahr von Personen- oder Sachschäden

- Achten Sie vor jeder Benutzung auf Folgendes:
 - Alle Teile sind ordnungsgemäß gesichert (siehe Kapitel 4).
 - Die Bremsen funktionieren einwandfrei (siehe Kapitel 3.1).
- Behalten Sie Ihre Füße auf der Fußplatte.
- Schwellen und Hindernisse sollten rückwärts befahren werden.

4 Montage und Einstellungen

⚠️ WARNUNG

Gefahr von Verletzungen und Schäden

- Nutzen Sie das Produkt nur gemäß den technischen Vor- und Angaben dieser Gebrauchsanweisung.

4.1 Werkzeuge

Um den Duschstuhl zu (de)montieren und einzustellen werden folgende Werkzeuge benötigt:

- Schraubenschlüssel 13
- Inbusschlüssel 3 - 4 – 5

4.2 Lieferumfang

Je nach Verpackungsart sind der Rahmen und die Räder montiert oder demontiert. Bei kleinen Paketen mit demontiertem Rahmen gehören folgende Komponenten zum Lieferumfang:

- Linker Rahmen mit Armablage
- Rechter Rahmen mit Armablage
- Vorderes Rahmenrohr
- Rücklehnenrahmen
- Rückenlehne
- Zwei Halterungen mit Schwenkrädern, ohne Bremsen
- Zwei Halterungen mit hinteren Schwenkrädern und Bremsen (nur beim 5-Zoll-Modell)
- Zwei 24-Zoll-Hinterräder (nur beim 24-Zoll-Modell)
- Fußstütze
- Zubehör
- Bedienungsanleitung

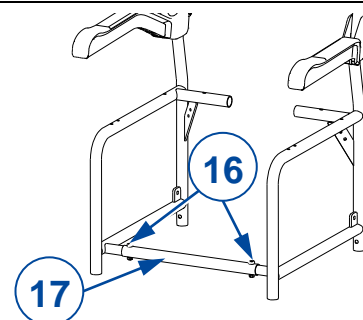
Überprüfen Sie vor dem Gebrauch, ob alle Teile vorhanden und unbeschädigt sind.

4.3 (De)Montage

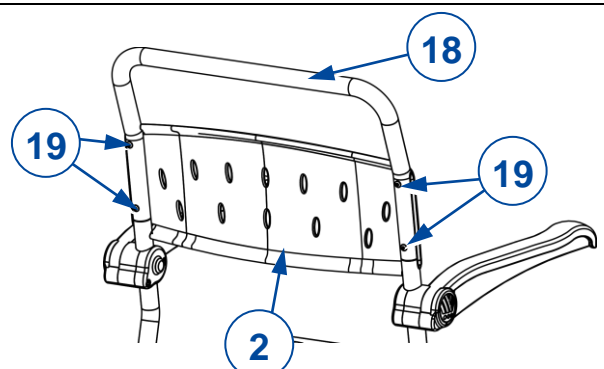


Nachfolgend wird die Montage des Stuhls beschrieben. Zur Demontage führen Sie die Schritte in umgekehrter Reihenfolge aus.

1. Verbinden Sie den linken und den rechten Rahmen vorn mit dem Rahmenrohr (17):
 - Setzen Sie die Inbusschrauben (16) in die Rahmenlöcher ein und ziehen Sie Schrauben und Muttern fest an.
 - Kontrollieren Sie, ob die Rahmenteile korrekt gesichert sind.



2. Verbinden Sie den linken und den rechten Rahmen hinten mit dem Rücklehnenrahmen (18):
 - Schieben Sie das Rahmenrohr (18) über die hervorstehenden Rohrenden der Seitenrahmen.
 - Bringen Sie die Rückenlehne (2) mit der gewölbten Seite nach oben an.
 - Bringen Sie die vier Inbusschrauben (19) an und ziehen Sie sie fest.

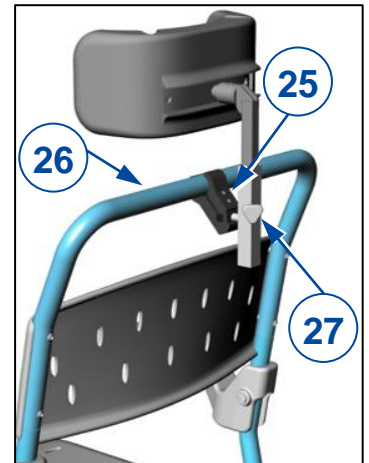


DE

<p>3. Montage des Sitzes:</p> <ul style="list-style-type: none"> • Drehen Sie den Rahmen um und setzen Sie den Sitzrahmen unten am Sitz ein. • Achten Sie darauf, dass sich der Topfstopp vorn befindet. • Ziehen Sie die 2x3-Inbusschrauben (20) fest an. 	
<p>4. Montage der Vorderräder (2x):</p> <ul style="list-style-type: none"> • Setzen Sie die Rohrenden der Radhalterungen in die Rahmenrohrenden ein. • Fixieren Sie beide Radhalterungen sorgfältig mit der Inbusschraube (21). • Kontrollieren Sie, ob die Vorderräder korrekt gesichert sind. 	
<p>5. Montage der Hinterräder:</p> <ul style="list-style-type: none"> • Nur beim 5-Zoll-Modell: Bringen Sie die beiden Hinterräder mit den Bremsen an (siehe vorherigen Schritt). • Nur beim 24-Zoll-Modell: Setzen Sie den Verbindungsstift (22) eines 24-Zoll-Rads in das Achsgehäuse des Rahmens ein, bis er hörbar einrastet. Wiederholen Sie diesen Schritt beim zweiten Rad. • Kontrollieren Sie, ob die Hinterräder korrekt gesichert sind. 	
<p>6. Einstellen der Feststellbremse (nur beim 24-Zoll-Modell):</p> <ul style="list-style-type: none"> • Lösen Sie die beiden Inbusschrauben (24). • Bringen Sie die Feststellbremse in die Bremsstellung (Bremshebel nach vorn). • Schieben Sie die Bremshalterung (23), bis die Bremse auf den Reifen gedrückt wird. • Ziehen Sie die beiden Inbusschrauben (24) fest an. • Kontrollieren Sie, ob der Duschstuhl bei angezogener Bremse fest stehenbleibt. Nehmen Sie andernfalls die Einstellung erneut vor. • Wiederholen Sie diesen Schritt bei der zweiten Feststellbremse. • Kontrollieren Sie, ob beide Bremshalterungen (23) korrekt gesichert sind. 	
<p>7. Zur Montage der Fußstütze (6) siehe Kapitel 3.3.</p>	

4.4 Montage und Einstellung der Kopfstütze

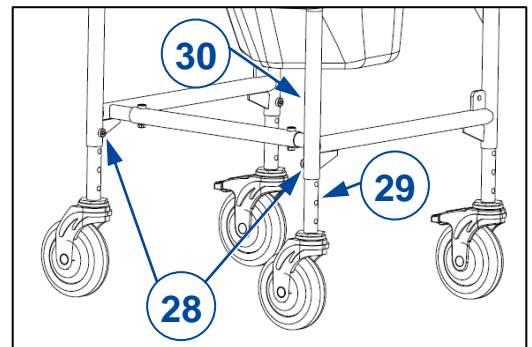
1. Lösen sie die 2 Schrauben (25) an der Kopfstützenhalterung
2. Befestigen sie die Kopfstütze am Rückenrahmen
3. Ziehen sie die beiden Schrauben (25) fest an. Stellen sie sicher das die Kopfsütze gut befestigt ist.
4. Lösen sie die Schraube (27) von Hand, Stellen sie die Kopfstütze auf die gewünschte Position ein und ziehen sie dann die Schraube wieder fest an.



4.5 Einstellung der Sitzhöhe (nur bei 5" Rädern möglich)

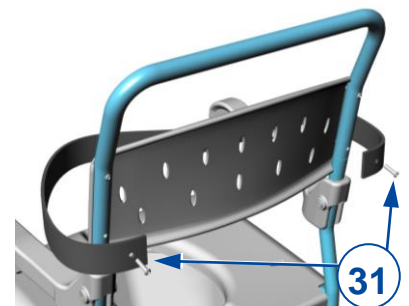
Die Sitzhöhe kann insgesamt um 90mm verändert werden (in 30mm Schritten).

1. Lösen sie die Schraube (28) am unteren Rahmenteil.
2. Stellen Sie das Bein auf die gewünschte Höhe ein, indem Sie das Innenrohr (29) im äußeren Rahmenrohr (30) auf- oder ab bewegen.
3. Setzen sie die Schraube (28) wieder ein und ziehen sie sie fest an.
4. Wiederholen sie die Schritte 1-3 für jedes Bein. Stellen sie sicher das alle Schrauben fest Angezogen sind und alle 4 Beine die gleiche Höhe haben bevor sie den Stuhl benutzen.



4.6 Montage des Sicherheitsgurtes

Der Sicherheitsgurt wird mit den zwei unteren Schrauben (31) der Rückenlehne am Rahmen befestigt.




4.7 Montage der Sicherungshalterung

Schieben Sie die Sicherungshalterung seitlich an den Armlehnen von einer Seite zur anderen.

5 Instandhaltung

5.1 Wartungspunkte

 **VORSICHT** Gefahr von Personen- oder Sachschäden

Reparaturen und Erneuerungen dürfen nur von geschultem Personal und mit Original-Ersatzteilen von Vermeiren durchgeführt werden.

- i** Auf der letzten Seite dieses Handbuchs befindet sich ein Registrierungsformular, auf dem der Fachhändler jeden Service dokumentieren kann.

Die Wartungshäufigkeit hängt von der Häufigkeit und Intensität der Nutzung ab. Wenden Sie sich an Ihren Händler, um einen allgemeinen Zeitplan für Inspektion/Wartung/Reparatur zu vereinbaren.

Vor jeder Benutzung

Kontrollieren Sie folgende Punkte:

- Alle Komponenten: Vorhanden und nicht beschädigt oder verschlissen.
- Alle Komponenten: Sauber (siehe Abschnitt 5.2.2).
- Räder, Sitz, Beinstützen, Armlehnen, Fußstützen, Fußplatten und Kopfstützen (falls zutreffend): Korrekt gesichert.
- Zustand der Räder/Reifen (siehe Abschnitt 5.2.1).
- Zustand der Bremsen siehe Abschnitt 5.2.1.
- Zustand des Rahmens: Keine Verformung, Instabilität, Schwäche oder lose Verbindungen
- Sitz, Rückenlehne, Armpolster, Beinpolster und Kopfstütze (falls vorhanden): Kein übermäßiger Verschleiß (wie Einstellungen, Beschädigungen oder Risse)

Wenden Sie sich wegen etwaiger Reparaturen oder Ersatzteile an Ihren Fachhändler.

Jährlich oder öfter

Lassen Sie Ihren Duschstuhl mindestens einmal pro Jahr oder öfter von Ihrem Fachhändler überprüfen und warten. Die minimale Wartungshäufigkeit ist von der Benutzung abhängig und sollte daher zusammen mit Ihrem Fachhändler abgesprachen werden.

5.2 Wartungshinweise

5.2.1 Räder und Reifen

- i** Die korrekte Funktionsweise der Bremsen ist vom Zustand der Reifen abhängig und kann sich infolge von Verschleiß und Verunreinigung (Wasser, Öl, Matsch usw.) verändern.

- Halten Sie Ihre Räder frei von Drähten, Haaren, Sand, Fasern und Seifenresten.
- Überprüfen Sie das Profil der Reifen. Wenn die Profiltiefe weniger als 1 mm beträgt, müssen die Reifen ausgetauscht werden. Wenden Sie sich hierzu an Ihren Fachhändler.

5.2.2 Reinigung

 **VORSICHT** Beschädigungsgefahr durch Feuchtigkeit

- Benutzen Sie keinesfalls einen Wasserschlauch oder Hochdruckreiniger, um den Duschstuhl zu reinigen.

Wischen Sie alle festen Teile des Duschstuhls mit einem feuchten (nicht durchnässten) Tuch ab. Benutzen Sie ggf. eine milde Seife, die für Lacke und Kunststoffe geeignet ist. Der Duschstuhl kann bei 85°C maximal 3 Minuten lang gereinigt werden.

5.2.3 Desinfektion

 VORSICHT Beschädigungsgefahr

Eine Desinfektion darf nur von dafür geschultem Personal durchgeführt werden. Wenden Sie sich hierfür an Ihren Fachhändler.

5.3 Störungsbeseitigung

Auch bei ordnungsgemäßer Benutzung Ihres Duschstuhls kann ein technisches Problem auftreten. In diesem Fall wenden Sie sich bitte an Ihren Fachhändler.

 WARNUNG Gefahr von Verletzungen und Schäden am Duschstuhl.

- Versuchen Sie KEINESFALLS, Ihren Duschstuhl selbst zu reparieren.

Die nachstehend genannten Symptome können auf ein ernsthaftes Problem hindeuten. Sie sollten sich daher stets an Ihren Fachhändler wenden, wenn eine der folgenden Situationen eintritt:

- Ungewöhnliche Geräusche
- Ungleichmäßige Abnutzung an einem der Reifen
- Ruckartige Bewegungen
- Rollstuhl zieht zu einer Seite
- Beschädigte oder gebrochene Radeinheiten

5.4 Voraussichtliche Nutzungsdauer

Die durchschnittliche Nutzungsdauer Ihres Duschstuhls beträgt 5 Jahre. Je nach Nutzungshäufigkeit, Betriebsbedingungen und Wartung kann die Nutzungsdauer Ihres Duschstuhls länger oder kürzer sein.

5.5 Nutzungsende

Am Ende seiner Nutzungsdauer muss der Duschstuhl gemäß den geltenden Umweltvorschriften entsorgt werden. Dazu wird er im besten Fall zerlegt, um den Transport wiederverwertbarer Teile zu erleichtern.

6 Technische Daten

Die nachstehenden technischen Daten gelten für diesen Duschstuhl nur bei Standardeinstellungen und optimalen Umgebungsbedingungen. Berücksichtigen Sie diese Details bei der Benutzung. Die Werte gelten nicht mehr, falls Ihr Duschstuhl modifiziert wurde, beschädigt ist oder starke Verschleißerscheinungen aufweist.

Tabelle 1: Technische Daten

Marke	VERMEIREN	
Typ	Duschstuhl	
Modell	Pluo	
Beschreibung	Abmessungen 5-Zoll-Standardräder	Abmessungen 24-Zoll-Hinterräder
Max. Benutzergewicht	150 kg	150 kg
Gesamthöhe	1035 mm	1035 mm
Gesamtbreite	600 mm	680 mm
Gesamtlänger (verstellbare Fußstütze)	720 - 760 - 785 mm	910 - 950 - 975 mm
Abmessungen (H x B x L; eingeklappt)	1035 x 570 x 570 mm	1035 x 623 x 570 mm
Fußstützenhöhe und -länge (einstellbar)	90 - 105 - 120 mm 4° - 7° - 9°	90 - 105 - 120 mm 4° - 7° - 9°
Sitzhöhe	515 mm	515 mm
Sitztiefe	450 mm	450 mm
Sitzbreite	480 mm	480 mm
Höhe der Rückenlehne	920 mm	920 mm
Abstand zwischen Armablage und Sitz	225 mm	225 mm
Vordere Lage der Armablagenstruktur (Fußstütze in vorderster Position)	605-665 mm	605-665 mm
Gesamtgewicht	9,7 kg	14,0 kg
Gewicht der schwersten Teile	8,0 kg	7,2 kg
Gewicht der abnehmbaren Teile	24-Zoll-Rad: Fußstütze: Toilettentopf	2,5 kg (je) 1,0 kg 0,7 kg
Toilettentop Volumen	9,3 l	9,3 l
Vorderrad-Durchmesser	125 mm (2x, schwenkbar, ohne Bremsen)	125 mm (2x, schwenkbar, ohne Bremsen)
Hinterrad-Durchmesser	125 mm (2x, schwenkbar, ohne Bremsen)	600 mm (2x fest, mit Bremsen)
Greifringdurchmesser	NZ	530 mm
Benutzungstemperatur	5°C ~ +50°C	
Reinigungstemperatur	85°C für max. 3 Minuten	
Lagertemperatur	+5°C ~ +65°C	
Technische Änderungen jederzeit vorbehalten. Messtoleranz ±15 mm / 1,5 kg / 1,5° NZ = nicht zutreffend		

Sommaro



Sommaro	1
Premessa	2
1 Il prodotto	3
1.1 Accessori.....	3
2 Prima dell'uso	4
2.1 Uso previsto	4
2.2 Istruzioni generali di sicurezza	4
2.3 Simboli presenti sulla sedia per doccia	5
2.4 Primo utilizzo e magazzinaggio.....	5
3 Uso della sedia per doccia	6
3.1 Freni	6
3.2 Bracciolo	7
3.3 Poggiapiedi	7
3.4 Recipiente wc.....	7
3.5 Trasferimento alla/dalla sedia per doccia	7
3.6 Spostamento/azionamento della sedia per doccia	8
4 Montaggio e regolazioni	9
4.1 Attrezzi	9
4.2 Modalità di consegna	9
4.3 (S)montaggio.....	9
4.4 Montaggio e regolazione dell'appoggiatesta	11
4.5 Regolazione dell'altezza del sedile da terra (solo per mod. con route da 5").....	11
4.6 Montaggio della cintura di sicurezza	11
4.7 Montaggio della staffa di sicurezza	11
5 Manutenzione	12
5.1 Punti di manutenzione.....	12
5.2 Istruzioni per la manutenzione	12
5.3 Soluzione dei problemi di funzionamento.....	13
5.4 Durata prevista.....	13
5.5 Fine vita.....	13
6 Specifiche tecniche	14

Premessa

IT

Leggere attentamente questo manuale, in quanto aiuta a familiarizzarsi con il funzionamento, le prestazioni e le limitazioni della sedia per doccia.

Per eventuali ulteriori domande successive alla lettura di questo manuale, rivolgersi al proprio rivenditore specializzato, che sarà lieto di fornire un supporto sull'argomento.

Per garantire la propria sicurezza e prolungare la durata del prodotto, trattarlo con cura e farlo controllare e/o sottoporlo a manutenzione con regolarità.

La garanzia del prodotto presuppone un uso e una manutenzione normali del medesimo, come descritti in questo manuale. I danni al prodotto dovuti a uso improprio o manutenzione carente causano la decadenza della garanzia.

Questo manuale rispecchia gli sviluppi più recenti del prodotto. Vermeiren si riserva il diritto di introdurre modifiche di questo tipo di prodotto senza alcun obbligo di adattare o sostituire i prodotti analoghi consegnati in precedenza.

Le immagini vengono utilizzate per chiarire le istruzioni contenute nel manuale. I dettagli del prodotto raffigurato possono essere diversi da quelli del prodotto in uso.

Sul sito Web di Vermeiren, all'indirizzo <http://www.vermeiren.com/>, è sempre disponibile la versione più recente delle informazioni indicate di seguito. Visitare con regolarità tale sito per verificare l'esistenza di eventuali aggiornamenti.

Le persone ipovedenti possono scaricare la versione elettronica di questo manuale e farlo leggere da un software applicativo di sintesi vocale.



Istruzioni della carrozzina

Per gli utenti/assistenti/badanti



Manuale di assistenza
in supporto all'igiene

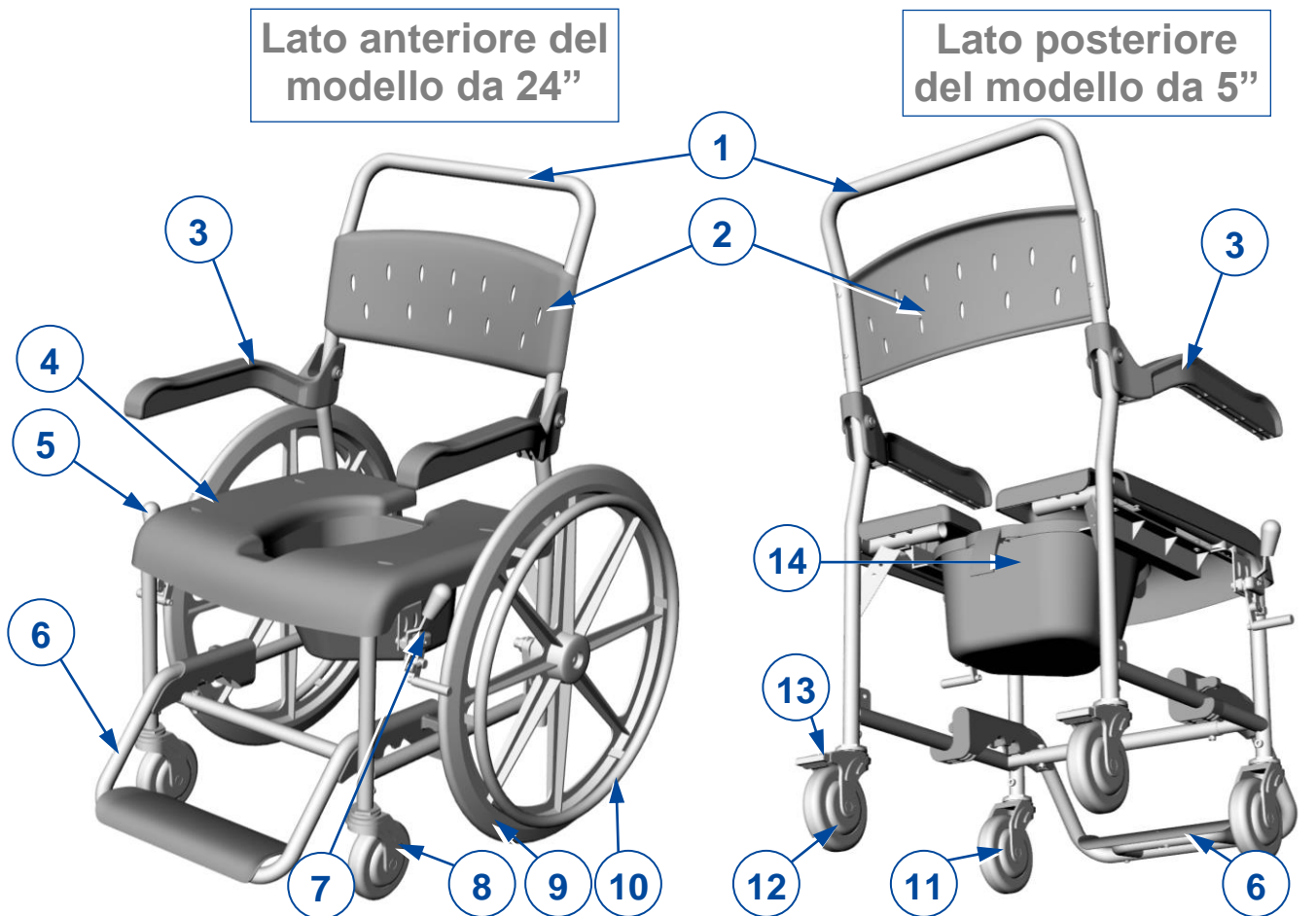
Per i rivenditori specializzati



Dichiarazione di conformità CE

1 Il prodotto

Questa sedia mobile per doccia con recipiente WC opzionale è facile da utilizzare nei bagni ed è disponibile con 4 ruote girevoli o con ruote posteriori da 24".



1. Telaio dello schienale / barra di spinta
2. Schienale
3. Bracciolo ruotabile
4. Sedile
5. Leva del freno
6. Poggiatesta
7. Freno di parcheggio (solo per il modello da 24")

8. Ruota anteriore (orientabile)
9. Ruota posteriore da 24"
10. Corrimano (solo per il modello da 24")
11. Ruota anteriore (orientabile)
12. Ruota posteriore da 5"
13. Freno di parcheggio (solo per il modello da 5")
14. Recipiente wc

1.1 Accessori

Per il modello Pluo sono disponibili i seguenti accessori:

1. Regolazione della base in altezza (solo per modello con ruote da 5")
2. Appoggiatesta
3. Cintura di sicurezza
4. Cintura di sicurezza a gilet
5. Sedile e schienale in PU
6. Sedile in gel
7. supporti laterali
8. Staffa di sicurezza

2 Prima dell'uso

IT

2.1 Uso previsto

Questo paragrafo contiene una breve descrizione dell'uso previsto della sedia per doccia. Gli altri paragrafi aggiungono inoltre alle istruzioni ulteriori avvertenze di rilievo. Vermeiren desidera in tal modo portare all'attenzione dell'utente gli eventuali usi errati che possono presentarsi.

- Indicazioni e controindicazioni: La sedia per doccia è destinata a persone con difficoltà motorie o incapacità di deambulazione. Le diverse versioni degli accessori consentono l'utilizzo della carrozzina per usi geriatrici e da parte di persone con impossibilità/difficoltà di deambulazione in seguito a: paralisi, amputazione di arti inferiori, difetti o deformazioni degli arti inferiori, contratture o lesioni articolari, insufficienza cardiaca e cardiocircolatoria, disturbi dell'equilibrio, cachessia (deterioramento della massa muscolare). La sedia per doccia con ruote da 5" è studiata per essere azionata da un assistente, mentre quello con ruote da 24" può essere azionato anche da chi vi è seduto.
- Questa sedia per doccia è adatta unicamente per l'uso al coperto come sedia da bagno e per i trasferimenti da/verso il medesimo.
- Questa sedia per doccia è progettata e realizzata esclusivamente per il trasporto di una (1) persona di peso non superiore a 150 kg. Essa non è viceversa progettata per il trasporto di merci od oggetti, o per qualunque uso diverso da quello descritto in precedenza.
- Se necessario, utilizzare esclusivamente accessori e ricambi approvati da Vermeiren.
- Leggere tutte le informazioni tecniche di dettaglio e le limitazioni della sedia per doccia riportate nel § 6.
- La garanzia del prodotto presuppone un uso e una manutenzione normali del medesimo, come descritti in questo manuale. I danni al prodotto dovuti a uso improprio o manutenzione carente causano la decadenza della garanzia.

2.2 Istruzioni generali di sicurezza

 **ATTENZIONE** Rischio di lesioni e/o danni

Leggere e osservare le istruzioni contenute in questo manuale. In caso contrario, è possibile ferirsi o danneggiare la carrozzina.

Durante l'uso, tenere presenti le seguenti avvertenze:

- Non utilizzare la sedia per doccia se si è sotto l'effetto di alcool, farmaci o altre sostanze in grado di influire sulle proprie capacità di manovra. Ciò vale anche per l'eventuale assistente incaricato di azionare la sedia per doccia.
- Non dimenticare che la sedia per doccia può diventare molto calda o fredda a causa della temperatura ambiente, della radiazione solare, di dispositivi di riscaldamento o dell'acqua utilizzata per la pulizia. Prestare attenzione quando si tocca la sedia.
- Non sporgersi eccessivamente in avanti o lateralmente, per evitare di ribaltarsi.
- Non salire in piedi sul poggiatesta.
- Sollevare la sedia per doccia soltanto quando è vuota. Afferrare la sedia per doccia dai tubi del telaio.
- Prima di ogni utilizzo, verificare tutti i componenti per escludere la presenza di danni o incrinature. Non utilizzare la sedia per doccia se non è in buone condizioni. Rivolgersi al proprio rivenditore specializzato per le riparazioni o i ricambi eventualmente necessari.
- Non modificare in alcun modo la sedia per doccia.
- Prendere nota delle istruzioni per la cura e la manutenzione. Il produttore declina ogni responsabilità per danni dovuti a errori di manutenzione/cura.

Nel caso in cui si sia verificato un grave incidente con il vostro prodotto, informate Vermeiren o il vostro rivenditore specializzato e l'autorità competente del vostro paese.

2.3 Simboli presenti sulla sedia per doccia



Sulla sedia per doccia sono applicati i simboli contenuti nell'elenco che segue. I simboli sono riportati nella norma ISO pertinente (ISO 7000, ISO 7001 e IEC 417).



Peso massimo dell'utente, in kg



Solo per l'uso al coperto



Indicazione del modello



Rischio di intrappolamento

2.4 Primo utilizzo e magazzinaggio



ATTENZIONE

Rischio di danni alla batteria

- Verificare le informazioni tecniche di dettaglio per il magazzinaggio; vedere il capitolo 6.

3 Uso della sedia per doccia

⚠ AVVERTENZA

Rischio di lesioni

- Leggere anzitutto il capitolo precedente per familiarizzarsi con l'uso previsto. **NON** utilizzare la sedia per doccia senza avere letto e compreso a fondo tutte le istruzioni.
- In caso di dubbi o domande, non esitare a rivolgerti al proprio rivenditore specializzato di zona, al proprio fornitore di cure sanitarie o a un consulente tecnico per un aiuto.
- Accertarsi che mani, indumenti, cinture, fibbie o gioielli non si impiglino nelle ruote o durante la regolazione.

3.1 Freni

⚠ ATTENZIONE

Rischio di lesioni e/o danni

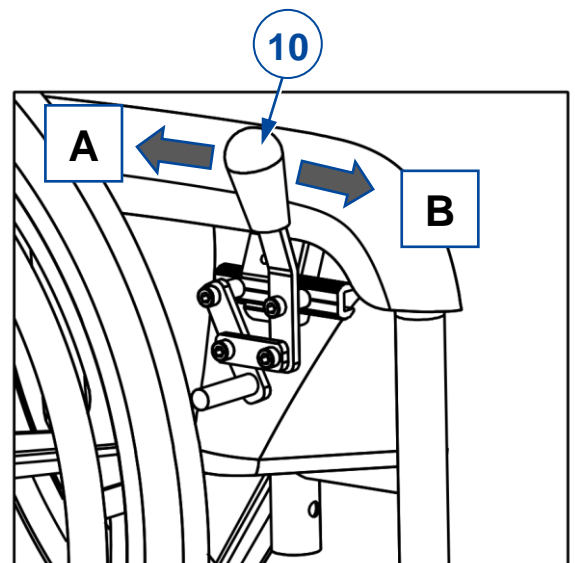
- Non utilizzare i freni per fare rallentare la sedia per doccia.

La sedia per doccia è dotata di due freni di parcheggio ad azionamento manuale. Tali freni sono studiati per evitare che la carrozzina si sposti mentre è parcheggiata.

3.1.1 Freni di parcheggio del modello con ruote da 24"

Rilascio dei freni [A]:

1. Afferrare saldamente con una mano il corrimano di una ruota (oppure chiedere a un assistente di afferrare la barra di spinta con una mano).
2. Tirare **INDIETRO** la leva (10) del freno dell'**ALTRA** ruota.
3. Ripetere l'operazione per la seconda ruota e il secondo freno di parcheggio.



Inserimento dei freni [B]:

1. Afferrare saldamente con una mano il corrimano di una ruota (oppure chiedere a un assistente di afferrare la barra di spinta con una mano).
2. Spingere in **AVANTI** la leva del freno (10) dell'**ALTRA** ruota, fino a quando si percepisce chiaramente un effetto di bloccaggio.
3. Ripetere l'operazione per la seconda ruota e il secondo freno di parcheggio.

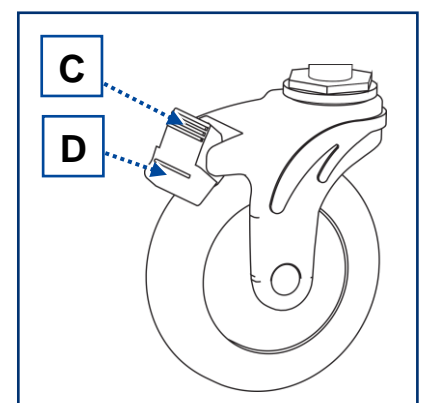
3.1.2 Freni di parcheggio del modello con ruote da 5"

Rilascio dei freni [C]:

Premere con un piede la parte superiore della leva del freno, spingendola all'indietro.

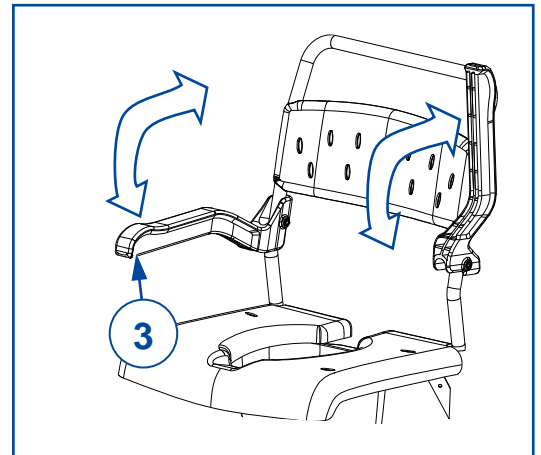
Inserimento dei freni [D]:

Premere con un piede la leva del freno, spingendola verso il basso, verso la ruota orientabile.



3.2 Bracciolo

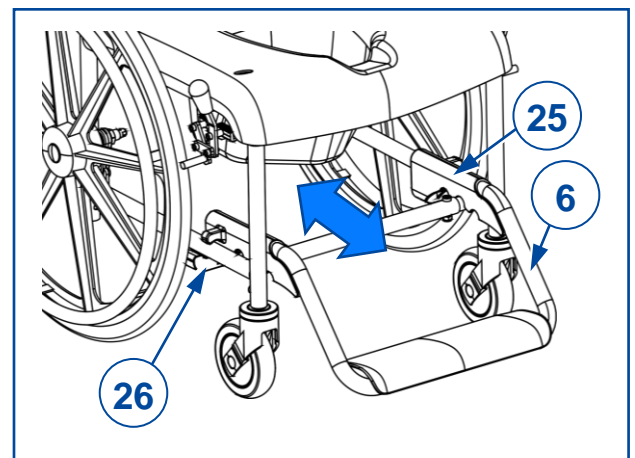
- Ruotarlo verso l'altro per liberare spazio per il passaggio.
- Ruotarlo verso il basso per sedere in modo confortevole.



3.3 Poggiapiedi

Inserimento ed estrazione:

- Spingere il poggiapiedi (6) verso l'interno con il piede per liberare spazio per il passaggio.
- Per ripristinare l'uso, tirarlo verso l'esterno. Accertarsi che il tubo anteriore si inserisca nell'incavo del supporto (25) del poggiapiedi (sono disponibili 3 posizioni)



Rimozione e installazione:

- Per rimuovere il poggiapiedi, tirare la staffa (26) sfilandola dai tubi del telaio sul lato sinistro e su quello destro. Spostare il poggiapiedi fra i tubi del telaio delle ruote anteriori.
- Per ripristinare l'uso, spingere la staffa (26) del poggiapiedi sui tubi del telaio sul lato sinistro e su quello destro. Accertarsi che il tubo anteriore si inserisca nell'incavo del supporto (25) del poggiapiedi.

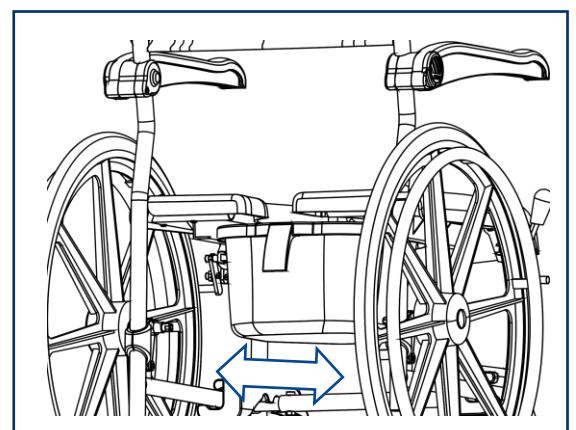
3.4 Recipiente wc

Inserimento:

- Collocare il recipiente wc sul lato posteriore, con il bordo sulle due guide.
- Fare scorrere il recipiente in avanti fino a quando viene a contatto con il suo fermo.

Rimozione:

- Fare scorrere il recipiente all'indietro con una mano sostenendolo con l'altra.



3.5 Trasferimento alla/dalla sedia per doccia

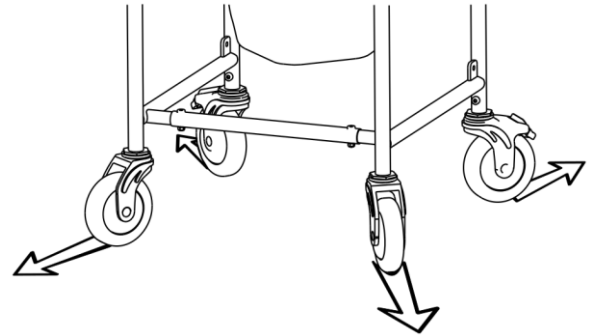


ATTENZIONE Rischio di lesioni e danni

- Se non si è in grado di effettuare il trasferimento in condizioni di sicurezza, richiedere l'assistenza di un'altra persona.
- Non salire sulle pedane durante il trasferimento.
- Non appoggiarsi sui braccioli durante il trasferimento.

Trasferimento

- Quando si è seduti su una poltrona, un divano, un sedile o un letto, avvicinare il più possibile a sé la sedia per doccia.
- Ruotare le ruote girevoli verso l'esterno per aumentare la stabilità; vedere l'immagine.
- Inserire i freni; vedere il § 3.1.
- Spingere il poggiatesta sotto il sedile e ruotare verso l'alto uno dei braccioli (vedere il § 3.3 e il § 3.2).
- Trasferirsi sulla/dalla sedia utilizzando la forza delle proprie braccia o con l'ausilio di un assistente o di un dispositivo di sollevamento.



Posizione di seduta sulla carrozzina

- Sedersi sul sedile con la parte inferiore della schiena contro lo schienale.
- Rimontare il bracciolo e/o il poggiatesta.
- Appoggiare i piedi sulla pedana.
- Accertarsi che la parte superiore delle gambe sia orizzontale: regolare il poggiatesta; vedere il § 3.3.

3.6 Spostamento/azionamento della sedia per doccia

- i** Le indicazioni per affrontare soglie e ostacoli sono riportate nelle istruzioni delle carrozzine; fare riferimento al sito Web di Vermeiren.

ATTENZIONE

Rischio di lesioni e danni

- Prima di ogni utilizzo, verificare che:
 - tutti i componenti siano fissati saldamente; vedere il § 4.
 - i freni funzionino correttamente; vedere il § 3.1.
- Tenere i piedi sulla pedana.
- Affrontare soglie e ostacoli procedendo all'indietro.

4 Montaggio e regolazioni

AVVERTENZA

Rischio di lesioni e danni

- Utilizzare solo le regolazioni descritte in questo manuale.

IT

4.1 Attrezzi

Per (s)montare e regolare la sedia per doccia sono necessari i seguenti attrezzi:

- Serie di chiavi n. 13
- Serie di chiavi per brugole n. 3, 4 e 5

4.2 Modalità di consegna

A seconda del metodo di imballaggio, il telaio e le ruote possono essere montati o smontati. Per scatole di piccole dimensioni, con telaio smontato, sono oggetto di consegna i seguenti articoli:

- Parte sinistra del telaio con bracciolo
- Parte destra del telaio con bracciolo
- Tubo anteriore del telaio
- Telaio dello schienale
- Schienale
- Due supporti con ruote girevoli, senza freni
- Due supporti con ruote girevoli posteriori e freni (solo per il modello con ruote da 5")
- Due ruote posteriori da 24" (solo per il modello con ruote da 24")
- Poggiatesta
- Eventuali accessori
- Manuale di istruzioni

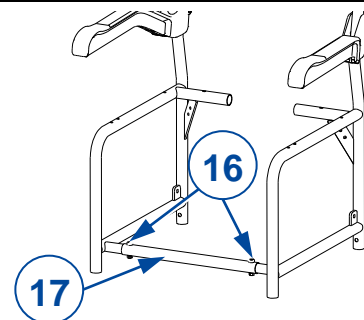
Prima dell'uso, verificare che siano presenti tutti gli articoli e che nessuno di essi sia danneggiato.

4.3 (S)montaggio

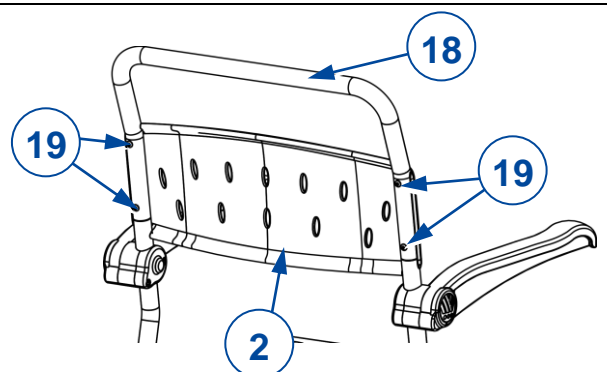
i

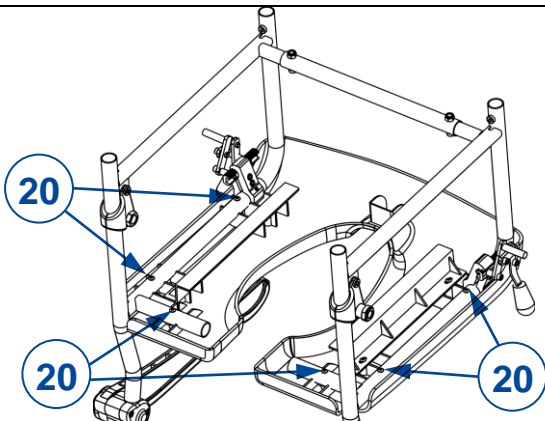
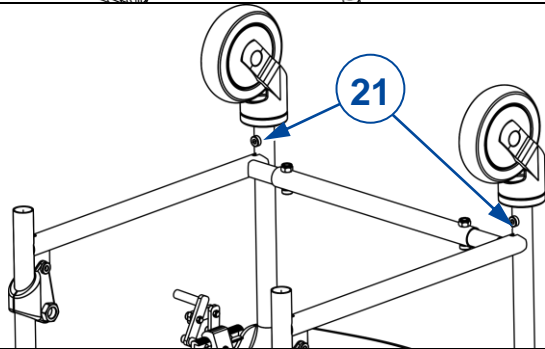
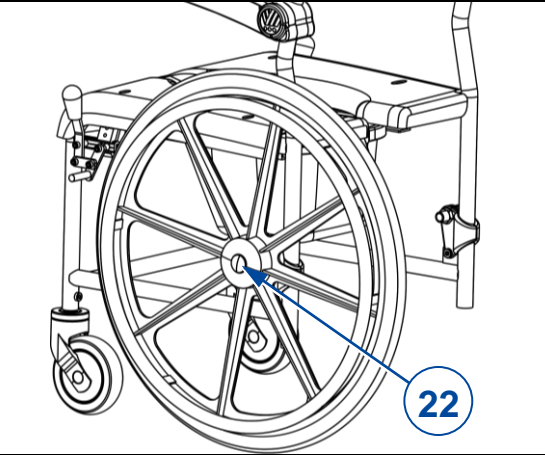
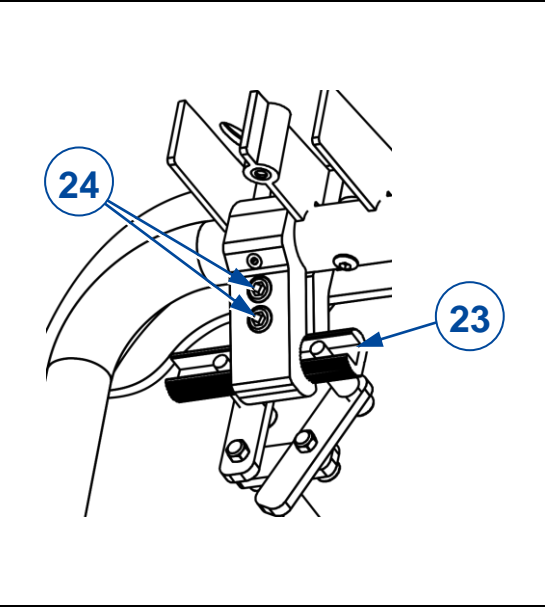
La descrizione riportata di seguito illustra il montaggio della sedia. Per smontare la stessa, eseguire la procedura nell'ordine inverso.

1. Collegare anteriormente la parte sinistra e quella destra del telaio mediante il tubo (17) del telaio:
 - Inserire le viti a brugola (16) nei fori del telaio e serrare a fondo viti e dadi.
 - Verificare che i componenti del telaio siano fissati saldamente.



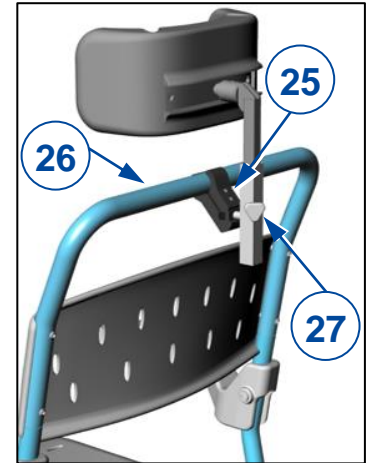
2. Collegare posteriormente la parte sinistra e quella destra del telaio mediante il telaio (18) dello schienale.
 - Inserire il tubo del telaio (18) dello schienale sulle estremità sporgenti dei tubi dei telai laterali.
 - Montare lo schienale (2) con il lato curvo in alto.
 - Utilizzare le quattro viti a brugola (19) e serrarle a fondo.



<p>3. Montare il sedile:</p> <ul style="list-style-type: none"> • Ribaltare la struttura e collocare il telaio del sedile sul lato inferiore di quest'ultimo. • Accertarsi che il fermo del recipiente wc si trovi dal lato anteriore. • Serrare a fondo le 2 x 3 viti a brugola (20). 	
<p>4. Montare le ruote anteriori (2x):</p> <ul style="list-style-type: none"> • Inserire l'estremità dei tubi dei supporti delle ruote nelle estremità dei tubi del telaio. • Fissare saldamente i supporti di entrambe le ruote con la vite a brugola (21). • Verificare che le ruote anteriori siano fissate saldamente. 	
<p>5. Aggiungere le ruote posteriori:</p> <ul style="list-style-type: none"> • Solo per il modello con ruote da 5": Montare entrambe le ruote posteriori con freno; vedere il punto precedente. • Solo per il modello con ruote da 24": Inserire il perno di raccordo (22) di una ruota da 24" nell'alloggiamento dell'asse presente sul telaio, fino a quando si percepisce un clic. Ripetere l'operazione per la seconda ruota. • Verificare che le ruote posteriori siano fissate saldamente. 	
<p>6. Regolare il freno di parcheggio (solo per il modello con ruote da 24"):</p> <ul style="list-style-type: none"> • Allentare le due viti a brugola (24). • Portare il freno di parcheggio nella posizione frenata (leva del freno in avanti). • Fare scorrere il supporto (23) del freno di parcheggio fino a quando il fermo del freno è premuto sullo pneumatico. • Serrare le due viti a brugola (24). • Verificare che la sedia per doccia rimanda ferma quando il freno è inserito. In caso contrario, ripetere la regolazione. • Ripetere l'operazione per il secondo freno di parcheggio. • Accertarsi che entrambi i supporti (23) dei freni di parcheggio siano fissati saldamente. 	
<p>7. Per aggiungere il poggipiedi (6), vedere il § 3.3.</p>	

4.4 Montaggio e regolazione dell'appoggiatesta

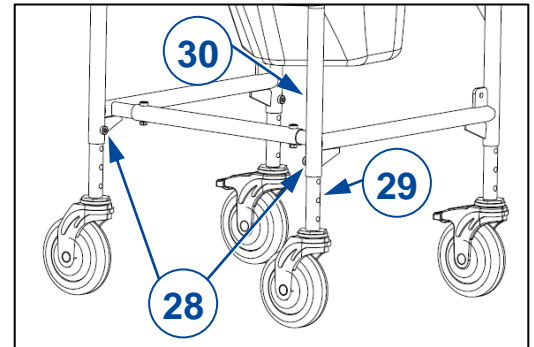
1. Allentare le due viti (25) sul supporto dell'appoggiatesta.
2. Fissare l'appoggiatesta al telaio dello schienale (26).
3. Stringere saldamente le due viti (25). Assicurarsi che l'appoggiatesta sia ben fissato.
4. Allentare la manopola(27) per regolare l'altezza dell'appoggiatesta all'altezza desiderata. Stringere fermamente la manopola.



4.5 Regolazione dell'altezza del sedile da terra (solo per mod. con route da 5")

L'altezza del sedile da terra può essere regolata fino a 90 mm(ogni 30 mm).

1. Rimuovere le viti (28) dalla base.
2. Regolare la base all'altezza desiderata facendo scorrere il tubo interno (29) su e giù dal tubo del telaio esterno (30).
3. Riposizionare le viti (28) e stringere saldamente .
4. Ripetere questa operazione su tutte le altre ruote. Assicurarsi che siano ben fissate ed alla stessa altezza.



4.6 Montaggio della cintura di sicurezza

La cintura di sicurezza è fissata al telaio dello schienale con due viti (31).



4.7 Montaggio della staffa di sicurezza

Per montare la staffa di sicurezza, fatela scivolare lateralmente sui braccioli da un lato all'altro.

5 Manutenzione

IT

5.1 Punti di manutenzione

**ATTENZIONE**

Rischio di lesioni e danni

Riparazioni e sostituzioni devono essere eseguite esclusivamente da personale con un'opportuna formazione e utilizzando unicamente ricambi originali Vermeiren.

- i** L'ultima pagina di questo manuale contiene un modulo di registrazione che consente ai rivenditori specializzati di registrare ogni intervento di assistenza.

La frequenza dell'assistenza dipende dalla frequenza e dall'intensità dell'uso. Concordare con il proprio rivenditore un calendario comune per le attività di ispezione / manutenzione / riparazione.

Prima di ciascun utilizzo

Verificare i seguenti punti:

- Tutti i componenti: Presenti e privi di danni o usura.
- Tutti i componenti: pulizia, vedere il § 5.2.2.
- Ruote, sedile, appoggi per le gambe, braccioli, poggiatesta, pedane e poggiatesta (se presente): ben fissati.
- Condizioni delle ruote / degli pneumatici: vedere il § 5.2.1.
- Condizioni dei freni: vedere il § 5.2.1.
- Condizioni del telaio: assenza di deformazioni, instabilità, punti deboli o raccordi allentati
- Sedile, schienale, poggiatesta (se presente) e imbottiture di braccioli e appoggi le gambe: assenza di usura eccessiva (come ammaccature, danni o lacerazioni).

Rivolgersi al proprio rivenditore specializzato per le riparazioni o i ricambi eventualmente necessari.

Annualmente o con maggiore frequenza

Almeno una volta all'anno, o con maggiore frequenza, richiedere al proprio rivenditore specializzato un intervento di ispezione e manutenzione della sedia per doccia. La frequenza minima di manutenzione dipende dall'uso, e deve pertanto essere concordata con il proprio concessionario autorizzato.

5.2 Istruzioni per la manutenzione

5.2.1 Ruote e pneumatici



Il funzionamento corretto dei freni dipende dallo stato degli pneumatici, che può variare a seconda dell'usura e dell'eventuale contaminazione (acqua, olio, fango e così via).

- Tenere pulite le ruote da fili, capelli, sabbia, fibre di moquette e depositi di sapone.
- Verificare il profilo degli pneumatici. Se la profondità del battistrada è inferiore a 1 mm, occorre sostituire gli pneumatici. A tale scopo, rivolgersi al proprio rivenditore specializzato.

5.2.2 Pulizia

**ATTENZIONE**

Rischio di danni da umidità

- Non pulire la sedia con manichette o pulitrici ad alta pressione.

Strofinare tutti i componenti rigidi della sedia con un panno umido (non zuppo). Se necessario, utilizzare un detergente delicato, adatto per smalti e materiali sintetici.

È possibile pulire la sedia per doccia a 85 °C per un massimo di 3 minuti.

5.2.3 Disinfezione


 **ATTENZIONE** Rischio di danni

La disinfezione deve essere eseguita esclusivamente da personale con un'opportuna formazione. Consultare il proprio rivenditore specializzato.



5.3 Soluzione dei problemi di funzionamento

Anche se si utilizza la sedia nel modo corretto, è comunque possibile che si verifichi un problema tecnico. In tal caso, rivolgersi al rivenditore specializzato della propria zona.

 **ATTENZIONE** Rischio di lesioni e di danni alla carrozzina

- NON tentare MAI di riparare personalmente la sedia.

I sintomi indicati di seguito possono segnalare un problema grave. Rivolgersi pertanto sempre al proprio rivenditore specializzato se si rileva una qualunque delle seguenti anomalie:

- Rumori strani;
- Usura irregolare del battistrada di uno pneumatico;
- Movimenti a scatti;
- Tendenza della carrozzina a deviare lateralmente;
- Gruppi ruota danneggiati o spezzati.

5.4 Durata prevista

La sedia per doccia ha una durata media prevista di 5 anni. Tale valore aumenta o diminuisce a seconda della frequenza di utilizzo, delle condizioni di guida e della manutenzione.

5.5 Fine vita

A fine vita, occorre smaltire la sedia per doccia conformemente alla legislazione ambientale locale. Il modo migliore per farlo consiste nello smontare la sedia per doccia in modo da agevolare il trasporto dei componenti riciclabili.

6 Specifiche tecniche

I dettagli tecnici riportati di seguito sono validi soltanto per la sedia per doccia oggetto del manuale, con le impostazioni standard e in condizioni ambiente ottimali. Durante l'uso, tenere conto di questi dati di dettaglio. I valori indicati non sono più validi se la sedia per doccia ha subito modifiche o danni, oppure presenta un livello elevato di usura.

Tabella 1: Specifiche tecniche

Marchio	VERMEIREN	
Tipo	Sedia per doccia	
Modello	Pluo	
Descrizione	Dimensioni Ruote da 5" di serie	Dimensioni Ruote posteriori da 24"
Peso massimo dell'utente	150 kg	150 kg
Altezza totale	1.035 mm	1.035 mm
Larghezza totale	600 mm	680 mm
Altezza totale (poggiapiedi regolabile)	720, 760 e 785 mm	910, 950 e 975 mm
Dimensioni H x La x Lu, ripiegata	1.035 x 570 x 570 mm	1.035 x 623 x 570 mm
Altezza e angolazione (regolabili) del poggiapiedi	90, 105 e 120 mm 4°, 7° e 9°	90, 105 e 120 mm 4°, 7° e 9°
Altezza del sedile	515 mm	515 mm
Profondità del sedile	450 mm	450 mm
Larghezza del sedile	480 mm	480 mm
Altezza dello schienale	920 mm	920 mm
Distanza fra bracciolo e sedile	225 mm	225 mm
Posizione anteriore della struttura dei braccioli (poggiapiedi nella posizione più avanzata)	605 - 665 mm	605 - 665 mm
Massa totale	9,7 kg	14,0 kg
Massa del componente più pesante	8,0 kg	7,2 kg
Masse dei componenti rimovibili		
	Ruota da 24": Poggiapiedi: Recipiente wc:	2,5 kg (ciascuno) 1,0 kg 0,7 kg
Volume del recipiente wc	9,3 litri	9,3 litri
Diametro delle ruote anteriori	125 mm (2x, girevoli, senza freni)	125 mm (2x, girevoli, senza freni)
Diametro delle ruote posteriori	125 mm (2x, girevoli, con freni)	600 mm (2x, fisse, con freni)
Diametro del corrimano	NA	530 mm
Temperatura di utilizzo	5 °C - +50 °C	
Temperatura di pulizia	85 °C per massimo 3 minuti	
Temperatura di magazzinaggio	+5 °C - +65 °C	
Vermeiren si riserva il diritto di introdurre modifiche tecniche. Tolleranze di misurazione ± 15 mm / 1,5 kg / 1,5°. NA = Non Applicabile		

Índice

Índice	1
Introducción	2
1 Su producto	3
1.1 Accesorios.....	3
2 Antes de su uso	4
2.1 Uso previsto	4
2.2 Instrucciones generales de seguridad.....	4
2.3 Símbolos presentes en la silla de ducha.....	5
2.4 Primer uso y almacenamiento.....	5
3 Cómo utilizar la silla de ducha	6
3.1 Frenos.....	6
3.2 Reposabrazos.....	7
3.3 Reposapiés.....	7
3.4 Cubeta.....	7
3.5 Trasladarse hacia/de la silla a la ducha.....	7
3.6 Mover/conducir la silla para ducha.....	8
4 Montaje y ajustes	9
4.1 Herramientas.....	9
4.2 Forma de suministro.....	9
4.3 Montaje y desmontaje.....	9
4.4 Montaje y ajuste del reposacabezas.....	11
4.5 Ajuste de la altura de asiento (sólo para el modelo con ruedas de 5").....	11
4.6 Montaje del cinturón de seguridad.....	12
4.7 Montaje del soporte de seguridad.....	12
5 Mantenimiento	13
5.1 Puntos de mantenimiento.....	13
5.2 Instrucciones de mantenimiento.....	13
5.3 Limpieza.....	14
5.4 Resolución de problemas.....	14
5.5 Vida útil prevista.....	14
5.6 Fin de vida útil.....	14
6 Especificaciones técnicas	15

Introducción

Lea este manual detenidamente. Le ayudará a familiarizarse con el manejo, las capacidades y limitaciones de su silla para la ducha.

ES

Si todavía tiene alguna duda después de leer este manual, contacte con su distribuidor especializado, estará encantado de ayudarle.

Para garantizar su seguridad y prolongar la vida útil de su producto, cuídelo bien y asegúrese de realizar revisiones y mantenimientos de manera regular.

La garantía de este producto se basa en el uso y mantenimiento normales descritos en este manual. La garantía se invalida si el producto sufre cualquier daño causado por un uso indebido o falta de mantenimiento.

Este manual refleja los desarrollos más recientes del producto. Vermeiren se reserva el derecho a implementar cambios en este tipo de producto sin que ello suponga obligación alguna de adaptar o cambiar productos similares previamente entregados.

Las imágenes están presentes para clarificar las instrucciones contenidas en este manual. Los detalles del producto mostrado pueden variar con su producto.

En nuestro sitio web <http://www.vermeiren.com/> siempre encontrará la versión actualizada de la siguiente información. Consulte nuestra web de manera regular para estar al tanto de posibles actualizaciones.

Las personas con discapacidad visual pueden descargarse la versión electrónica del manual y utilizar un software de síntesis de voz para poder oír su contenido.



Instrucciones para Sillas de Ruedas

Para el usuario/auxiliar/cuidador



Manual de Servicio para Apoyo en Higiene

Para el distribuidor especializado



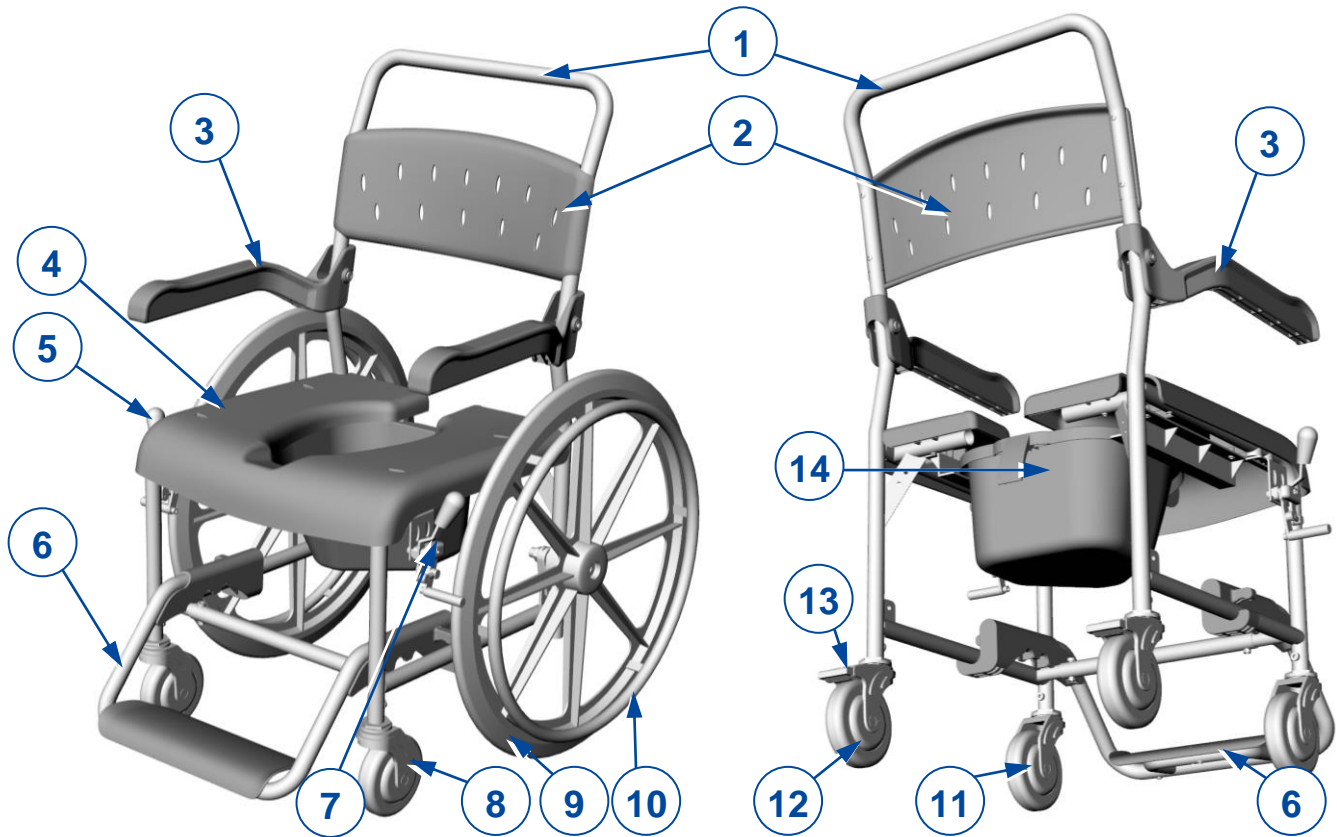
Declaración CE de conformidad

1 Su producto

Pluo, es la silla de ruedas de ducha con orinal opcional de Vermeiren. Fácil de usar en baños y disponible en 2 modelos: 4 ruedas de pivotantes o ruedas traseras de 24”.

Modelo (24”) visión delantera

Modelo (5”) visión trasera



1. Chasis del respaldo / barra de empuje
2. Respaldo
3. Reposabrazos plegables
4. Asiento
5. Palanca de freno
6. Reposapiés
7. Freno de estacionamiento (sólo para 24”)

8. Rueda delantera (direccional)
9. Rueda trasera de 24”
10. Aro de empuje (sólo para 24”)
11. Rueda delantera (direccional)
12. Rueda trasera de 5”
13. Freno de estacionamiento (sólo para 5”)
14. Cubeta

1.1 Accesorios

Los siguientes accesorios están disponibles para Pluo:

1. Altura de asiento ajustable (sólo para el modelo 5”)
2. Reposacabezas
3. Cinturón de seguridad
4. Chaleco de seguridad
5. Asiento y respaldo en PU
6. Asiento de GEL
7. Control lateral
8. Soporte de seguridad

2 Antes de su uso

2.1 Uso previsto

Este párrafo describe brevemente el uso previsto de la silla para ducha. También se incluyen avisos pertinentes a las instrucciones en otros párrafos. De esta manera se pretende avisar al usuario de un eventual mal uso de la silla.

- Indicaciones y contraindicaciones: La silla para ducha está diseñada para personas con movilidad reducida o nula. Los diferentes tipos de accesorios permiten que sea usada plenamente por ancianos así como por personas discapacitadas debido a: parálisis, pérdida de miembros, deformaciones o defectos en los miembros, articulaciones anquilosadas o dañadas, insuficiencias cardíacas o circulatorias, problemas de equilibrio, caquexia (atrofia muscular). La silla para ducha de 5" ha de manejarla un auxiliar; el modelo de 24" puede usarla su ocupante también.
- Esta silla de ducha es para uso exclusivamente en interiores como silla de baño y como transporte hacia o desde el baño.
- Esta silla de ducha está diseñada y fabricada exclusivamente para transportar a una (1) persona con un peso máximo de 150 kg. No está diseñada para transportar mercancías u objetos, o para otros usos que no sean los descritos anteriormente.
- En caso de que sea necesario, utilizar sólo accesorios y piezas de repuesto aprobadas por Vermeiren.
- Consultar todos los detalles técnicos y las limitaciones de la silla para ducha en §6.
- La garantía de este producto cubre el uso y mantenimiento normales descritos en este manual. La garantía se invalida si el producto sufre cualquier daño causado por un uso indebido o falta de mantenimiento.

2.2 Instrucciones generales de seguridad

 **PRECAUCIÓN** Riesgo de lesiones y daños

Lea y siga las instrucciones contenidas en este manual. De no seguirlas, puede acabar lesionándose a sí mismo, o acabar rompiendo la silla para ducha.





Tenga en cuenta las siguientes advertencias durante su utilización:

- No utilizar la silla para ducha si se ha consumido alcohol, medicamentos u otras sustancias que afecten la capacidad de conducir. Esto también es aplicable al auxiliar que maneje la silla para ducha.
- Téngase en cuenta que la silla de ducha puede llegar a calentarse o enfriarse demasiado a causa de la temperatura ambiente, la luz del sol, equipos de calefacción, etc. Tener siempre cuidado al tocar la silla para ducha.
- No inclinarse demasiado hacia delante o a un lado para evitar caídas.
- No ponerse de pie encima del reposapiés.
- Sólo levantar la silla para ducha cuando esté vacía. Sujetar la silla para ducha por los tubos del chasis.
- Comprobar que ninguna pieza esté dañada o agrietada antes de cada uso. No utilizar la silla si está en malas condiciones. Ponerse en contacto con el distribuidor especializado para posibles reparaciones o cambio de piezas.
- No modificar de ningún modo esta silla de ducha.
- Seguir las instrucciones de mantenimiento y control. El fabricante no se hace responsable de daños ocasionados por un mal mantenimiento o una mala inspección.

En caso de que se produzca un incidente grave con su producto, notifique a Vermeiren o a su distribuidor especializado, así como a la autoridad competente de su país.

2.3 Símbolos presentes en la silla de ducha

Los símbolos de la siguiente lista son aplicables a la silla de ducha. Los símbolos se encuentran en la norma ISO pertinente (ISO 7000, ISO 7001 y IEC 417)

	Peso máximo del usuario en kg
	Uso exclusivo en interiores
	Tipo de modelo
	Riesgo de aprisionamiento

2.4 Primer uso y almacenamiento

 PRECAUCIÓN Riesgo de dañar la batería

- Comprobar los datos técnicos de almacenamiento, véase capítulo 6.

3 Cómo utilizar la silla de ducha



AVISO

Riesgo de lesiones

- Leer antes los capítulos anteriores e informarse sobre el uso previsto. NO utilizar la silla de ducha si no se han leído detenidamente y entendido completamente todas las instrucciones.
- En caso de dudas o preguntas, contactar con su distribuidor especializado local, proveedor de cuidados o asesor técnico para recibir asesoramiento.
- Asegurarse de que manos, ropa, cinturones, hebillas o joyas no queden atrapados por las ruedas o durante el ajuste.

3.1 Frenos



PRECAUCIÓN

Riesgo de lesiones y daños

- No utilizar los frenos para reducir la velocidad de la silla de ruedas.

La silla de ruedas viene con dos frenos de estacionamiento manuales. Estos frenos están destinados a evitar cualquier movimiento de la silla de ruedas mientras está estacionada.

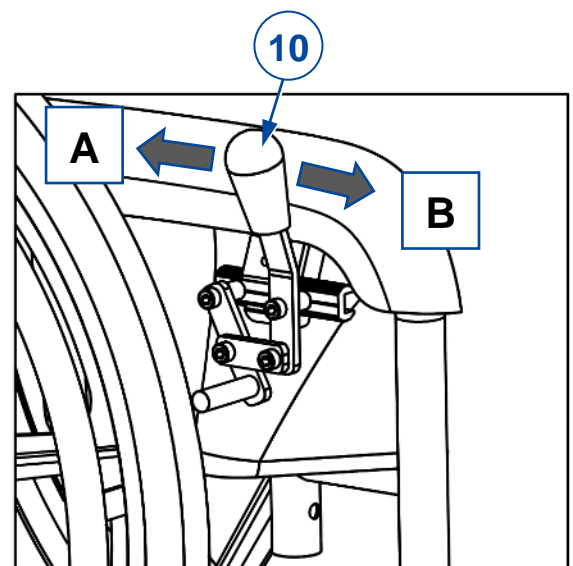
3.1.1 Frenos de estacionamiento para el modelo de 24"

Soltar los frenos [A]:

1. Sujetar firmemente una de las barras de empuje con una mano (o que sujete el auxiliar una de las barra de empuje con una mano).
2. Tirar de la palanca de freno (10) de la OTRA rueda hacia ATRÁS.
3. Repetir estos pasos para la segunda rueda y freno de estacionamiento.

Aplicar los frenos [B]:

1. Sujetar firmemente una de las barras de empuje con una mano (o que sujete el auxiliar una de las barra de empuje con una mano).
2. Empujar la palanca de freno (10) de la OTRA rueda hacia DELANTE hasta que se sienta un bloqueo.
3. Repetir estos pasos para la segunda rueda y freno de estacionamiento.



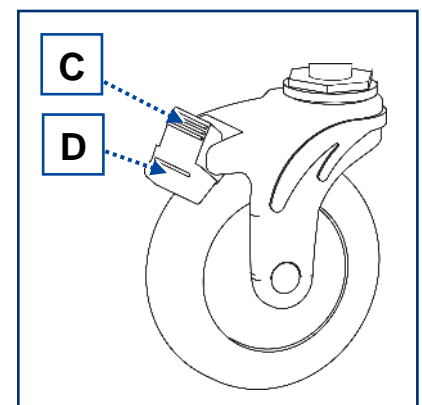
3.1.2 Frenos de estacionamiento para el modelo de 5"

Soltar los frenos [C]:

Utilizar el pie para presionar la palanca de freno hacia delante.

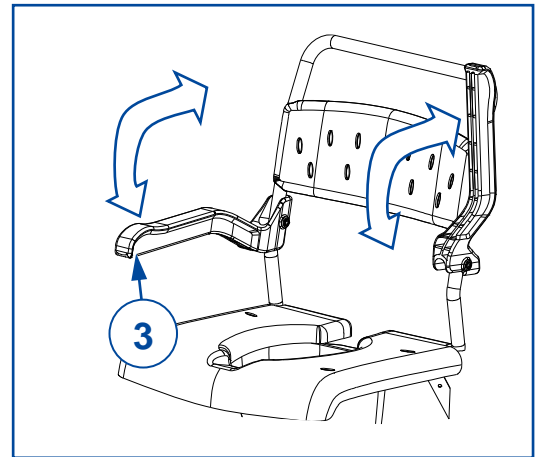
Aplicar los frenos [D]:

Utilizar el pie para presionar la palanca de freno hacia abajo, contra la rueda pivotante.



3.2 Reposabrazos

- Plegarlos hacia arriba para crear espacio para moverse.
- Desplegarlos hacia abajo para sentarse cómodamente.



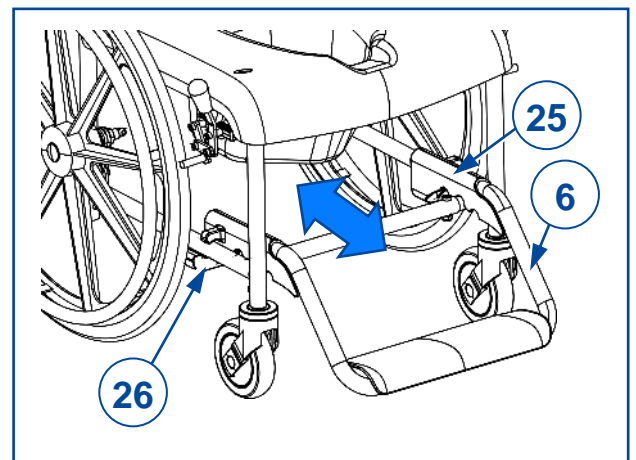
3.3 Reposapiés

Para insertar y desplegar:

- Empujar el reposapiés (6) hacia dentro con el pie, para dejar espacio para moverse.
- Para volver a sacarlo, tirar de él. Asegurarse de que el tubo delantero encaje dentro de la hendidura del soporte del reposapiés (25) (3 posiciones posibles)

Para retirar e instalar:

- Retirar tirando de la pinza (26) de los tubos del chasis en los lados izquierdo y derecho. Mover el reposapiés entre los tubos del chasis de las ruedas delanteras.
- Para volver a colocar, empujar la pinza (26) del reposapiés hacia el tubo del chasis, en los lados izquierdo y derecho. Asegurarse de que el tubo delantero encaje dentro de la hendidura del soporte del reposapiés (25).



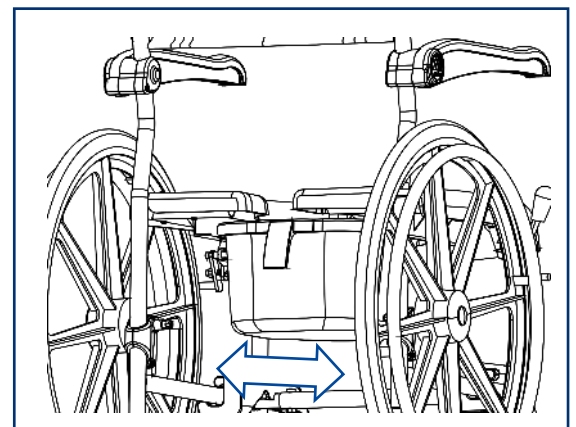
3.4 Cubeta

Para colocarlo:

- Colocar la cubeta en la parte trasera, con el borde en las dos guías.
- Deslizarlo hacia delante contra el encaje de la cubeta.

Para retirarlo:

- Deslizar la cubeta hacia atrás mientras lo sujetas con la otra mano.



3.5 Trasladarse hacia/de la silla a la ducha



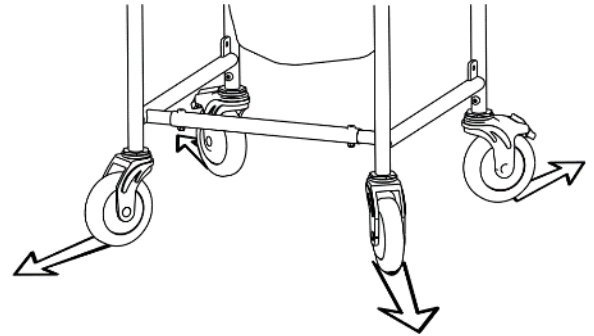
PRECAUCIÓN

Riesgo de lesiones y daños

- En caso de que no pueda hacer el traslado de manera segura, pídale ayuda a alguien.
- No colocar los pies encima de las paletas de los reposapiés durante la transferencia.
- No apoyarse en los reposabrazos durante la transferencia.

Transferencia

- Posicionar la silla para ducha lo más cerca posible del usuario mientras este esté sentado en su silla, sofá, asiento o cama.
- Girar cada una de las ruedas pivotantes mirando hacia fuera para una mejor estabilidad, véase la figura.
- Frenar la silla, véase §3.1.
- Empujar el reposapiés debajo del asiento y abatir uno de los reposabrazos hacia arriba (véase §3.3 y §3.2).
- Trasladarse hacia/de la silla utilizando la fuerza de los brazos o con la ayuda de un auxiliar o de un equipo de elevación.



Sentarse en la silla de ruedas

- Sentarse en el asiento apoyando la zona lumbar contra el respaldo.
- Volver a colocar el reposabrazos y el reposapiés.
- Colocar los pies en la paleta del reposapiés.
- Asegurarse de que los muslos estén en posición horizontal; ajustar el reposapiés, véase §3.3.

3.6 Mover/conducir la silla para ducha

i Toda la información sobre cómo superar umbrales y obstáculos se encuentra en nuestras Instrucciones para Sillas de Ruedas; consulte nuestra web.

**PRECAUCIÓN**

Riesgo de lesiones y daños

- Antes de cada uso, asegúrese de que:
 - todas las piezas estén aseguradas firmemente, véase § 4.
 - los frenos funcionen correctamente, véase §3.1.
- Mantener los pies en la paleta del reposapiés.
- Los umbrales y obstáculos deben superarse hacia atrás.

4 Montaje y ajustes

 **PRECAUCIÓN** Riesgo de lesiones y daños

- Utilice únicamente los ajustes indicados en este manual.

4.1 Herramientas

Para montar, ajustar y desmontar la silla para ducha, se necesitan las siguientes herramientas:

- Juego de llaves n.º 13
- Juego de llaves Allen n.º 3 - 4 - 5

4.2 Forma de suministro

Dependiendo del tipo de embalaje, el chasis y las ruedas estarán montadas o desmontadas. Si son cajas pequeñas con el chasis desmontado, los siguientes objetos formarán parte de la entrega:

- Chasis izquierdo con reposabrazos
- Chasis derecho con reposabrazos
- Tubo del chasis delantero
- Chasis de respaldo
- Respaldo
- Dos soportes con ruedas pivotantes, sin frenos
- Dos soportes con ruedas traseras pivotantes y frenos (sólo para el modelo de 5")
- Dos rueda trasera de 24" (sólo para el modelo de 24")
- Reposapiés
- Accesorios
- Manual de instrucciones

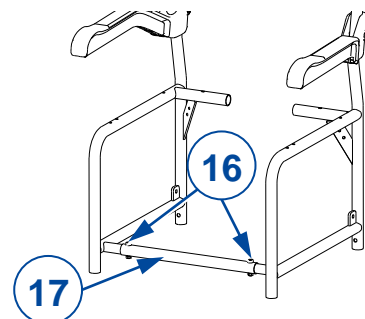
Antes de usar la silla, comprobar que todo viene incluido y que ninguna de las piezas esté dañada.

4.3 Montaje y desmontaje

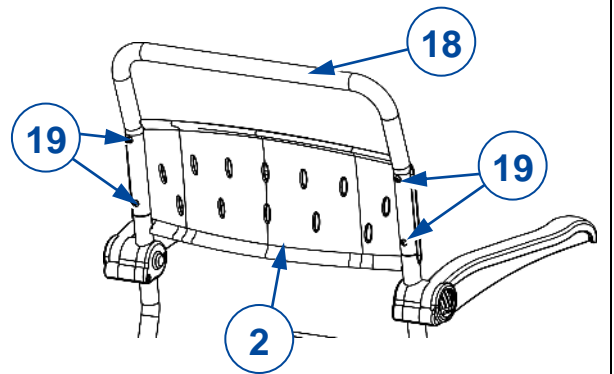
i

La siguiente descripción explica el montaje de la silla. Para desmontarla, seguir los pasos en orden inverso.

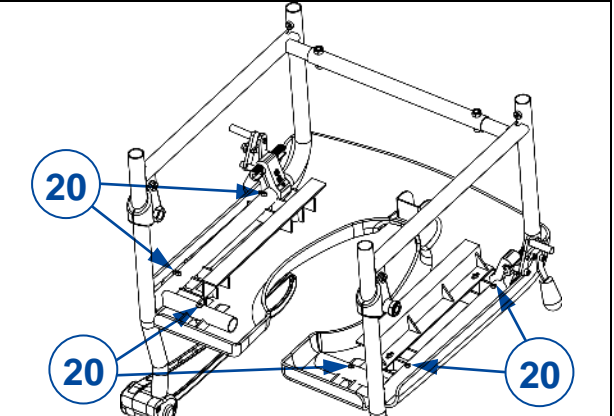
1. Conectar el chasis izquierdo y derecho en la parte delantera con el tubo del chasis (17).
 - Insertar los tornillos Allen (16) en los agujeros del chasis y apretar firmemente los tornillos y las tuercas.
 - Comprobar que las piezas del chasis estén bien aseguradas.



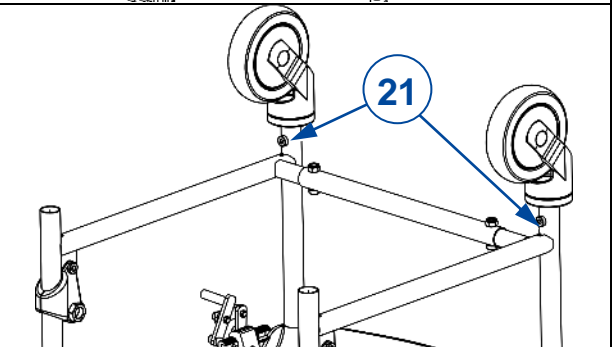
2. Conectar el chasis izquierdo y derecho en la parte trasera con el chasis de respaldo (18).
 - Deslizar el tubo del chasis (18) sobre los extremos protuberantes de ambos chasis laterales.
 - Montar el respaldo (2) con el lado curvado mirando hacia arriba.
 - Utilizar los cuatro tornillos Allen (19) y apretar firmemente.



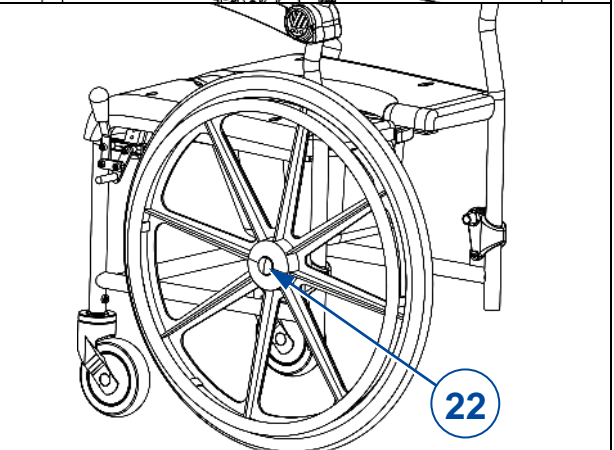
3. Montar el asiento:
 - Poner el chasis bocabajo y colocar el chasis del asiento encima del reverso del asiento.
 - Asegurarse de que el encaje de la cubeta está en la parte delantera.
 - Apretar firmemente los 2x3 tornillos Allen (20).



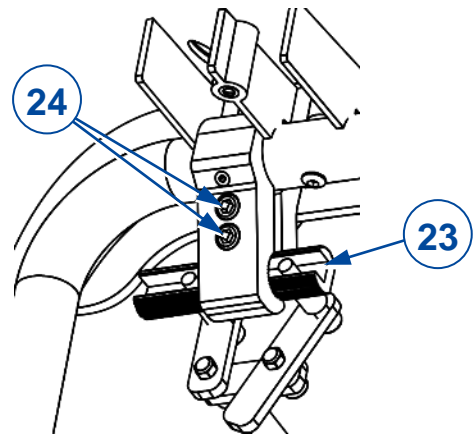
4. Montar las ruedas delanteras (2x):
 - Insertar los extremos de los soportes para las ruedas en los extremos del chasis.
 - Apretar ambos soportes para las ruedas firmemente con el tornillo Allen (21).
 - Comprobar que las ruedas delanteras estén bien aseguradas.



5. Montar las ruedas traseras:
 - Sólo para el modelo de 5": Montar ambas ruedas traseras con frenos, véanse los pasos anteriores.
 - Sólo para el modelo de 24": Insertar la clavija de conexión (22) de una de las ruedas de 24" en la carcasa del eje del chasis hasta oír un clic. Repetir estos pasos para la segunda rueda.
 - Comprobar que las ruedas traseras estén bien aseguradas.



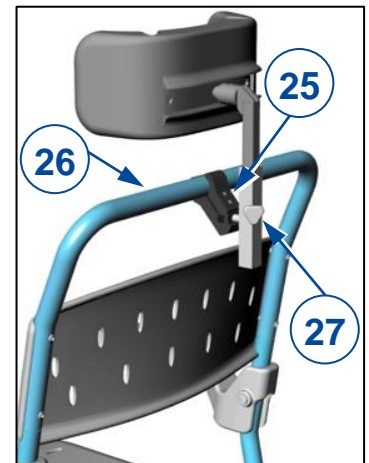
6. Ajustar el freno de estacionamiento (sólo para el modelo de 24"):
 - Aflojar dos tornillos Allen (24).
 - Colocar el freno de estacionamiento en la posición de freno (palanca de freno en posición delantera).
 - Deslizar el soporte del freno de estacionamiento (23) hasta que el freno esté presionado contra el neumático.
 - Apretar los dos tornillos Allen (24).
 - Comprobar que la silla para ducha permanece en su sitio cuando se aplica el freno. De no ser así, repetir el ajuste.
 - Repetir estos pasos para el segundo freno de estacionamiento.
 - Asegurarse de que ambos soportes para frenos (23) estén bien asegurados.



7. Para añadir el reposapiés (6), véase §3.3.

4.4 Montaje y ajuste del reposacabezas

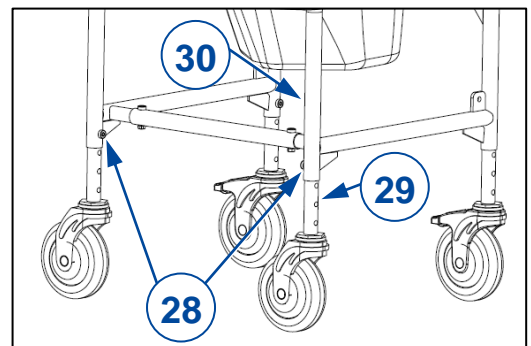
1. Afloje los dos tornillos (25) del soporte del reposacabezas.
2. Fije el reposacabezas en el chasis de respaldo (26).
3. Apriete firmemente los dos tornillos(25). Asegúrese de que el reposacabezas esté bien sujeto.
4. Afloje la palomilla (27) con la mano para ajustar la altura del reposacabezas hacia arriba/abajo hasta la posición deseada. Vuelva a apretar la palomilla firmemente.



4.5 Ajuste de la altura de asiento (sólo para el modelo con ruedas de 5")

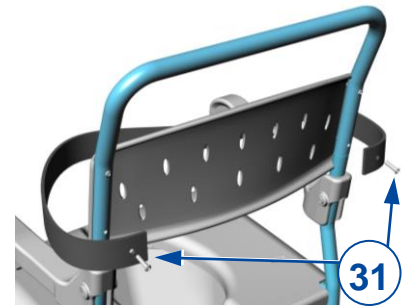
La altura de asiento se puede ajustar hasta 90 mm (en intervalos de 30 mm).

1. Retire el tronillo (28) de la pata.
2. Ajústela a la altura deseada deslizando el tubo interior (29) arriba/abajo en el tubo de chasis exterior (30).
3. Vuelva a colocar el tornillo (28) y apriételo firmemente.
4. Repita la misma operación en las otras patas. Asegúrese de que todas estén firmemente aseguradas y que han sido ajustadas a la misma altura.



4.6 Montaje del cinturón de seguridad

El cinturón de seguridad se fija al chasis con dos tornillos (31) en la parte inferior del respaldo.



4.7 Montaje del soporte de seguridad

Para montar el soporte de seguridad, deslicelo de lado a lado sobre los reposabrazos de un lado al otro.

ES

5 Mantenimiento

5.1 Puntos de mantenimiento

 **PRECAUCIÓN** Riesgo de lesiones y daños

Cualquier reparación o cambios sólo pueden llevarse a cabo por personal debidamente cualificado y sólo pueden utilizarse piezas de recambio Vermeiren originales.

i La última página de este manual contiene un formulario de registro para que el distribuidor especializado pueda registrar cada mantenimiento.

La frecuencia de los mantenimientos depende de la frecuencia e intensidad de uso. Póngase en contacto con su distribuidor para acordar un horario común para realizar inspecciones, mantenimientos y reparaciones.

Antes de cada uso

Inspeccionar los siguientes aspectos:

- Todas las piezas: Presentes y sin daños o desgastes.
- Todas las piezas: Limpieza, véase sección 5.3.
- Ruedas, asiento, reposapiernas, reposabrazos, reposapiés, paletas de reposapiés y reposacabezas (si corresponde): Bien asegurados.
- Estado de las ruedas/los neumáticos, véase sección 5.2.1.
- Estado de los frenos, véase sección 5.2.1.
- Estado del bastidor: Sin deformaciones, inestabilidad, debilidad o conexiones sueltas
- Asiento, respaldo, almohadillas para los brazos y para las piernas, reposacabezas (si corresponde): Sin desgastes excesivos (como abolladuras, daños o grietas).

Póngase en contacto con su distribuidor especializado para posibles reparaciones o cambio de piezas.

Anualmente o más regularmente

La silla de ducha debe pasar por inspección y mantenimiento realizados por el distribuidor especializado por lo menos una vez al año, o más a menudo. La frecuencia mínima de mantenimiento depende del uso y debe, por tanto, acordarse mutuamente con el distribuidor especializado.

5.2 Instrucciones de mantenimiento

5.2.1 Ruedas y neumáticos

i El funcionamiento debido de los frenos depende del estado de los neumáticos, el cual puede cambiar debido al desgaste o la suciedad (agua, aceite, barro...).

- Mantener las ruedas libres de cables, pelos, arena, fibras de alfombras y depósitos de jabón.
- Comprobar el perfil de los neumáticos. Si la profundidad del dibujo es de menos de 1 mm, deben sustituirse los neumáticos. Póngase en contacto con su distribuidor especializado para este asunto.

5.3 Limpieza

**PRECAUCIÓN**

Riesgo de daños por humedad

- No utilizar nunca una manguera o un limpiador a alta presión para limpiar la silla de ducha.

ES

Limpiar todas las piezas rígidas de la silla de ducha con un paño húmedo (no empapado). Si fuera necesario, utilizar un jabón suave que sea apto para limpiar superficies barnizadas y sintéticas.

La silla para ducha puede limpiarse a una temperatura de 85°C durante un máximo de 3 minutos.

5.3.1 Desinfección

**PRECAUCIÓN**

Riesgo de daños

La desinfección sólo puede llevarla a cabo personal debidamente cualificado. Consulte con su distribuidor especializado al respecto.

5.4 Resolución de problemas

Aunque se utilice la silla de ducha de la manera indicada, pueden surgir a veces problemas técnicos. En ese caso, póngase en contacto con su distribuidor especializado.

**AVISO**

Riesgo de lesiones y daños a la silla de ducha

- No intentar NUNCA reparar la silla de ducha por su cuenta.

Los siguientes síntomas pueden significar un problema grave. Se recomienda, por tanto, ponerse en contacto con su distribuidor especializado si nota los siguientes problemas:

- Ruidos extraños;
- Desgaste desigual de la banda de uno de los neumáticos;
- Movimientos bruscos;
- La silla de ruedas se desvía a un lado;
- Ensamblajes de las ruedas dañados o rotos.

5.5 Vida útil prevista

La vida útil media de la silla de ducha es de 5 años. La vida útil aumentará o disminuirá dependiendo de la frecuencia de uso, las circunstancias de conducción y el mantenimiento.

5.6 Fin de vida útil

Al final de la vida útil, deberá desecharse la silla de ducha siguiendo las leyes medioambientales de su localidad. Para transportar materiales reciclables de la silla de ducha de manera más cómoda, se recomienda que se desmonte primero.

6 Especificaciones técnicas

Los datos técnicos expuestos a continuación son sólo válidos para esta silla de ducha, con configuración estándar y en condiciones ambientales óptimas. Tener en cuenta estos datos durante la utilización de la silla de ducha. Los valores aquí expuestos dejarán de ser aplicables si la silla de ducha ha sido modificada, dañada, o sufre de un desgaste intenso.

ES

Tabla 1: Especificaciones técnicas

Descripción	Dimensiones 5" estándar	Dimensiones 24" ruedas traseras
Marca	VERMEIREN	
Tipo	Silla de ducha	
Modelo	Pluo	
Peso máx. del usuario	150 kg	150 kg
Altura total	1.035 mm	1.035 mm
Anchura total	600 mm	680 mm
Longitud total (reposapiés ajustable)	720 - 760 - 785 mm	910 - 950 - 975 mm
Dimensiones plegada Al x An x La	1.035 x 570 x 570 mm	1.035 x 623 x 570 mm
Altura y ángulo del reposapiés (ajustable)	90 - 105 - 120 mm 4° - 7° - 9°	90 - 105 - 120 mm 4° - 7° - 9°
Altura del asiento	515 mm	515 mm
Profundidad del asiento	450 mm	450 mm
Anchura del asiento	480 mm	480 mm
Altura del respaldo	920 mm	920 mm
Distancia entre la paleta del reposapiés y el asiento	225 mm	225 mm
Ubicación frontal de la estructura del reposabrazos (reposapiés en la posición más frontal)	605-665 mm	605-665 mm
Peso total	9,7 kg	14,0kg
Peso de la parte más pesada	8,0 kg	7,2 kg
Peso de las piezas desmontables		
Rueda de 24":	NA	2,5 kg (cada)
Reposapiés:	1,0 kg	1,0 kg
Bacín:	0,7 kg	0,7 kg
Volumen del bacín	9,3 litros	9,3 litros
Diámetro de la rueda delantera	125 mm (2, pivotantes, sin frenos)	125 mm (2, pivotantes, sin frenos)
Diámetro de la rueda trasera	125 mm (2, pivotantes, con frenos)	600 mm (2, pivotantes, con frenos)
Diámetro del aro de empuje	NA	530 mm
Temperatura de uso	5°C ~ +50°C	
Temperatura de limpieza	85°C durante un máx. de 3 minutos	
Temperatura de almacenamiento	+5°C ~ +65°C	
<p>Nos reservamos el derecho a introducir cambios técnicos. Tolerancia dimensional ± 15 mm / 1,5 kg / 1,5°. NA = no aplicable</p>		

Spis treści

Spis treści	1
Wstęp	2
1 Twój produkt	3
1.1 Akcesoria	3
2 Przed użyciem	4
2.1 Przeznaczenie.....	4
2.2 Ogólne instrukcje bezpieczeństwa	4
2.3 Symbole na wózku prysznicowym.....	5
2.4 Pierwsze użycie i przechowywanie	5
3 Korzystanie z wózka prysznicowego	6
3.1 Hamulce	6
3.2 Podłokietnik.....	7
3.3 Podnóżek	7
3.4 Wiaderko toaletowe.....	7
3.5 Przesiadanie się na wózek/z wózka prysznicowego	7
3.6 Przetaczanie/jazda na wózku prysznicowym	8
4 Montaż i regulacje	9
4.1 Narzędzia	9
4.2 Sposób dostawy	9
4.3 Montaż (demontaż)	9
4.4 Montaż i regulacja zagłówka	11
4.5 Regulacja wysokości siedziska (tylko dla 5" kół)	11
4.6 Montaż pasa bezpieczeństwa	11
4.7 Montaż wspornika bezpieczeństwa	11
5 Konserwacja	12
5.1 Punkty poddawane konserwacji	12
5.2 Instrukcje konserwacji	12
5.3 Diagnozowanie i rozwiązywanie problemów	13
5.4 Oczekiwany okres użytkowania	13
5.5 Koniec użytkowania.....	13
6 Dane techniczne	14

Wstęp

Prosimy o uważne przeczytanie instrukcji obsługi. Pozwoli ona na zapoznanie się z działaniem, możliwościami i ograniczeniami wózka prysznicowego.

W razie pytań, na które odpowiedzi nie ma w instrukcji, prosimy o kontakt z Państwa wyspecjalizowanym sprzedawcą. Sprzedawca chętnie służy pomocą w tym zakresie.

Aby zapewnić bezpieczeństwo i wydłużyć okres użytkowania produktu, prosimy o dbanie o niego oraz regularne dokonywanie przeglądów i serwisowanie.

Gwarancja na produkt jest udzielona przy założeniu normalnego użytkowania i konserwacji, opisanych w niniejszej instrukcji. Uszkodzenie produktu spowodowane nieprawidłową eksploatacją lub brakiem konserwacji spowoduje unieważnienie gwarancji.

Instrukcja obejmuje najnowsze rozwiązania zastosowane w produkcie. Firma Vermeiren ma prawo do wprowadzania zmian w produktach tego typu bez obowiązku adaptowania lub wymiany podobnych, poprzednio dostarczonych produktów.

Ilustracje stanowią dodatkowe objaśnienia do instrukcji w niniejszym podręczniku. Szczegóły przedstawionego produktu mogą się różnić od rzeczywistego produktu posiadanego przez użytkownika.

W naszej witrynie internetowej <http://www.vermeiren.com/> zawsze znajduje się najnowsza wersja odpowiednich informacji. Prosimy regularnie odwiedzać witrynę, ponieważ możemy w niej zamieszczać zaktualizowane informacje.

Osoby z zaburzeniami wzroku mogą pobrać elektroniczną wersję niniejszej instrukcji i odsłuchać ją przy użyciu oprogramowania zamieniającego tekst na mowę.



Instrukcja obsługi wózka

Dla użytkownika/asystenta/opiekuna



Podręcznik serwisowy na temat higieny

Dla wyspecjalizowanego sprzedawcy



Deklaracja zgodności WE

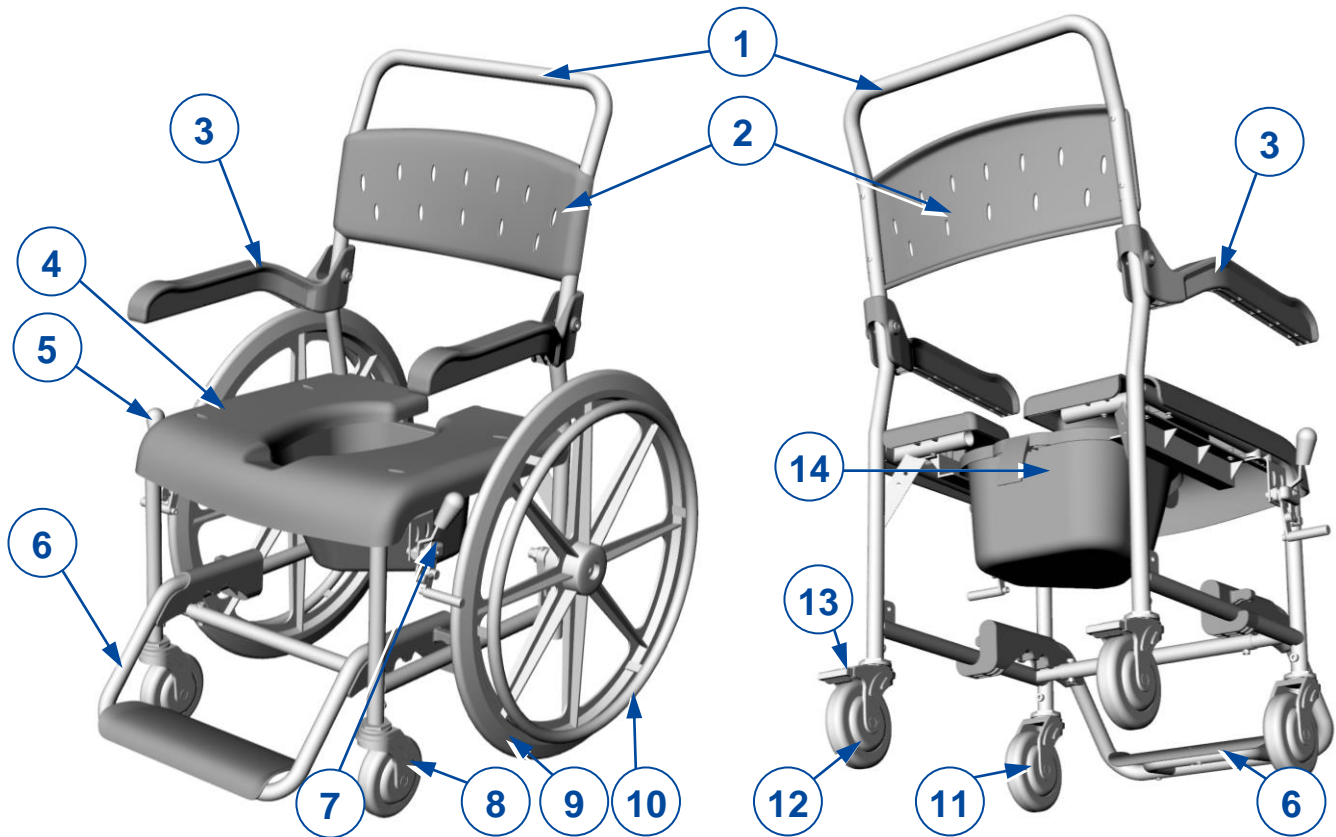
1 Twój produkt

Niniejszy wózek prysznicowy z opcjonalnym wiaderkiem toaletowym jest przeznaczony do użytku w łazienkach. Dostępne są dwie wersje: z 4 kółkami samonastawnymi lub z tylnymi kołami 24”.

model 24” z przodu

model 5” z tyłu

PL



1. Rama oparcia / rączka do pchania
2. Oparcie
3. Obracany podłokietnik
4. Siedzisko
5. Dźwignia hamulca
6. Podnóżek
7. Hamulec postojowy (tylko w wersji z kołami 24”)

8. Przednie koło (kierujące)
9. Tylne koło 24”
10. Ciąg (tylko w wersji z kołami 24”)
11. Przednie koło (kierujące)
12. Tylne koło 5”
13. Hamulec postojowy (tylko w wersji z kołami 5”)
14. Wiaderko toaletowe

1.1 Akcesoria

Do wózków prysznicowych Pluo są dostępne następujące akcesoria:

1. Regulowany na wysokość nóżki (tylko 5”)
2. Zagłówek
3. Pasy bezpieczeństwa
4. Kamizelka bezpieczeństwa
5. Siedzisko i oparcie z PU
6. Żelowe siedzisko
7. Podpórki boczne
8. Wspornik bezpieczeństwa

2 Przed użyciem

2.1 Przeznaczenie

W niniejszej sekcji przedstawiono krótki opis przewidzianego zastosowania wózka prysznicowego. W pozostałych sekcjach instrukcje zostały opatrzone istotnymi ostrzeżeniami. W ten sposób chcemy zwrócić uwagę użytkowników na możliwość nieprawidłowej eksploatacji produktu.

- Wskazania i przeciwwskazania: Wózek prysznicowy jest przeznaczony dla osób o ograniczonej zdolności lub braku zdolności chodzenia. Wiele rodzajów akcesoriów umożliwiają pełne użytkowanie wózka przez osoby starsze oraz osoby dotknięte niepełnosprawnością z powodu: paraliżu; utraty kończyn; uszkodzenia lub deformacji kończyn; sztywnych lub uszkodzonych stawów; niewydolności serca i słabego krążenia krwi; zaburzeń równowagi; kacheksji (ubytków masy mięśniowej). Wózek prysznicowy 5" może obsługiwać asystent. Model 24" może również obsługiwać użytkownik.
- Wózek prysznicowy jest przeznaczony wyłącznie do użytku w pomieszczeniach w charakterze wózka łazienkowego oraz środka transportu do/z łazienki.
- Wózek prysznicowy jest zaprojektowany i produkowany w celu transportu wyłącznie jednej (1) osoby ważącej maksymalnie 150 kg. Nie jest przeznaczony do transportu towarów, przedmiotów ani innego wykorzystania niż wcześniej opisane.
- Jeśli ma to zastosowanie, używać wyłącznie akcesoriów i części zapasowych zatwierdzonych przez Vermeiren.
- Należy się zapoznać z wszystkimi danymi technicznymi i ograniczeniami wózka prysznicowego, które są podane w §6.
- Gwarancja na ten produkt bazuje na normalnej eksploatacji i konserwacji, opisanej w niniejszej instrukcji. Uszkodzenia produktu spowodowane nieprawidłowym użytkowaniem lub brakiem konserwacji spowoduje wygaśnięcie gwarancji.

2.2 Ogólne instrukcje bezpieczeństwa

 **UWAGA** Ryzyko obrażeń i/lub uszkodzeń

Należy przeczytać zalecenia podane w niniejszej instrukcji i postępować zgodnie z nimi. Niestosowanie się do tych zaleceń może spowodować uraz lub uszkodzenie wózka prysznicowego.

Podczas eksploatacji należy pamiętać o ogólnych ostrzeżeniach:

- Nie używać wózka prysznicowego, jeśli użytkownik jest pod wpływem alkoholu, leków i innych substancji, które mogą mieć wpływ na zdolność jazdy. Dotyczy to również asystenta obsługującego wózek prysznicowy.
- Niektóre części wózka prysznicowego mogą stać się bardzo gorące lub zimne ze względu na temperaturę otoczenia, promieniowanie słoneczne, urządzenia grzewcze lub wodę do mycia. Dotykając ich, należy zachować ostrożność.
- Nie pochylać się za bardzo do przodu ani na boki, aby się nie przewrócić.
- Nie stawać na podnóżku
- Wózek prysznicowy można podnosić tylko, gdy nikt na nim nie siedzi. Wózek prysznicowy chwycić za rury ramy.
- Przed każdym użyciem sprawdzić, czy któraś część nie jest uszkodzona lub pęknięta. Nie używać wózka prysznicowego, jeśli jest w nieodpowiednim stanie technicznym. Skontaktować się z wyspecjalizowanym sprzedawcą w kwestii ewentualnych napraw lub wymiany części.
- Konstrukcji wózka prysznicowego nie wolno w żaden sposób modyfikować.
- Przestrzegaj instrukcji konserwacji i serwisu. Producent nie odpowiada za szkody spowodowane przez nieprawidłowe serwisowanie/konserwację.

W przypadku wystąpienia poważnego incydentu z udziałem produktu, należy powiadomić firmę Vermeiren lub specjalistycznego sprzedawcę, jak również właściwe władze w swoim kraju.

2.3 Symbole na wózku prysznicowym

Do wózka prysznicowego mają zastosowanie symbole z następującej listy. Symbole można znaleźć w odnośnych normach ISO (ISO 7000, ISO 7001 i IEC 417).



Maksymalna masa użytkownika w kg



Wyłącznie do użytku w pomieszczeniach



Oznaczenie typu



Ryzyko przycięcia

2.4 Pierwsze użycie i przechowywanie

 UWAGA Ryzyko uszkodzenia akumulatora

- Szczegóły techniczne na temat przechowywania: patrz rozdział 6.

3 Korzystanie z wózka prysznicowego

 **OSTRZEŻENIE** Ryzyko obrażeń

- Najpierw przeczytaj poprzednie rozdziały i zaznajom się z przewidzianym zastosowaniem. **NIE** używaj wózka prysznicowego, dopóki nie przeczytasz i nie zrozumiesz wszystkich instrukcji.
- W razie wątpliwości i pytań skontaktuj się z lokalnym wyspecjalizowanym sprzedawcą, opiekunem lub doradcą technicznym, który udzieli pomocy.
- Zwracać uwagę, aby ręce, ubrania, pasy, klamry ani biżuteria nie zostały pochwycone przez koła lub podczas regulacji.

PL

3.1 Hamulce

 **UWAGA** Ryzyko obrażeń i/lub uszkodzeń

- Nie używać hamulców, aby zwolnić ruch wózka.

Wózek jest wyposażony w dwa hamulce postojowe obsługiwane ręcznie. Te hamulce służą do unieruchomienia zatrzymanego wózka.

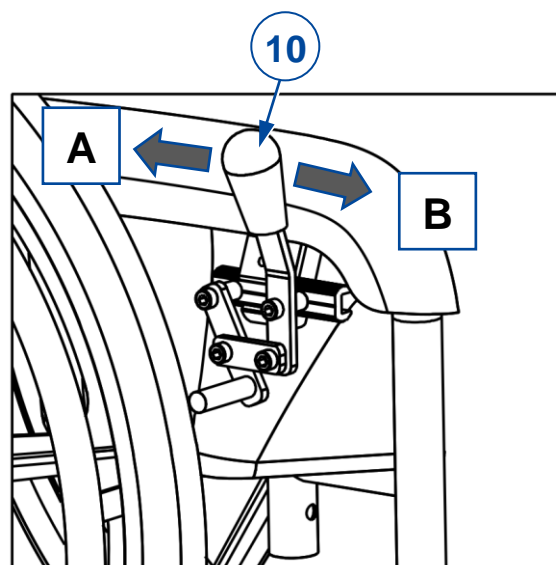
3.1.1 Hamulce postojowe do modelu 24"

Zwalnianie hamulców [A]:

1. Mocno chwycić ciąg jedną ręką (lub asystent trzyma rączkę do pchania jedną ręką)
2. Pociągnąć dźwignię hamulca (10) DRUGIEGO koła DO TYŁU.
3. Powtórzyć z drugim kołem i hamulcem postojowym.

Zaciąganie hamulców [B]:

1. Mocno chwycić ciąg jedną ręką (lub asystent trzyma rączkę do pchania jedną ręką)
2. Popchnąć dźwignię hamulca (10) DRUGIEGO koła DO PRZODU, aż do wyraźnego oporu i zablokowania.
3. Powtórzyć z drugim kołem i hamulcem postojowym.



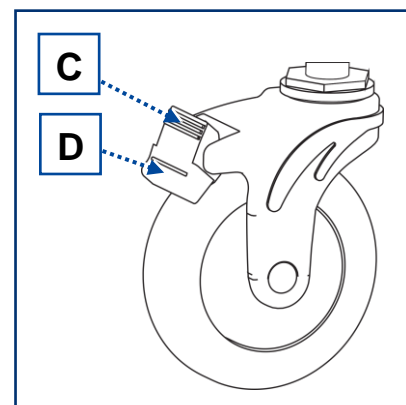
3.1.2 Hamulce postojowe do modelu 5"

Zwalnianie hamulców [C]:

Nacisnąć stopą górną część dźwigni hamulca do tyłu.

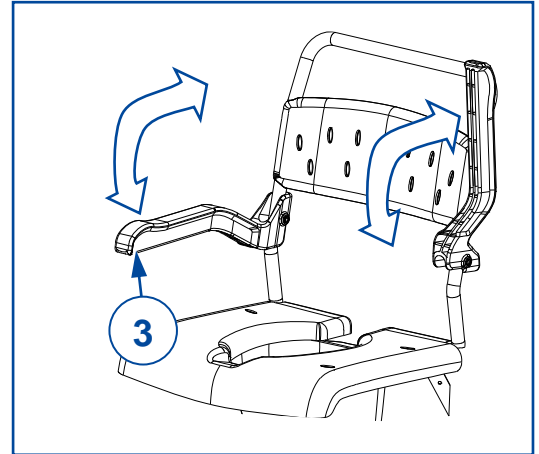
Zaciskanie hamulców [D]:

Nacisnąć stopą dźwignię hamulca w dół, w kierunku kółka samonastawnego.



3.2 Podłokietnik

- Obrócić go w górę, aby zrobić miejsce na przesadzenie użytkownika.
- Obrócić w dół, aby użytkownik mógł usiąść wygodnie.



PL

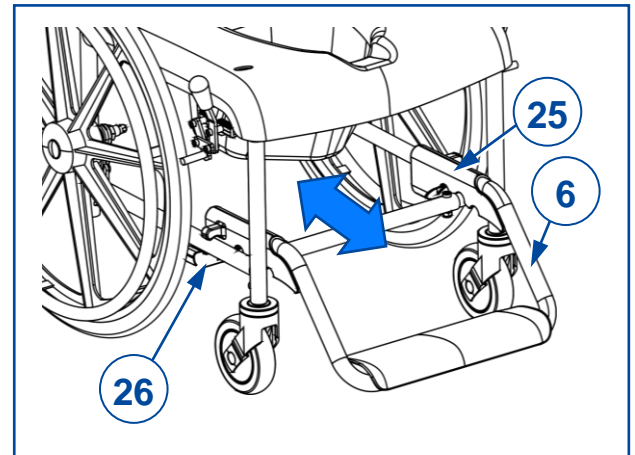
3.3 Podnóżek

Aby wsunąć i wyciągnąć:

- Popchnąć podnóżek (6) stopą do środka, aby zrobić miejsce na przesadzenie użytkownika.
- Wyciągnąć podnóżek, aby przywrócić jego poprzednią pozycję. Upewnić się, że przednia rura znajduje się w zagłębieniu wspornika podnóżka (25) (dostępne 3 położenia)

Demontaż i montaż:

- Zdemontować, wyciągając uchwyt (26) z rur ramy po lewej i prawej stronie. Przesunąć podnóżek między rurami ramy przednich kół.
- Aby zmontować ponownie, wepchnąć uchwyt (26) podnóżka na rurę ramy po lewej i prawej stronie. Upewnić się, że przednia rura znajduje się w zagłębieniu wspornika podnóżka (25).



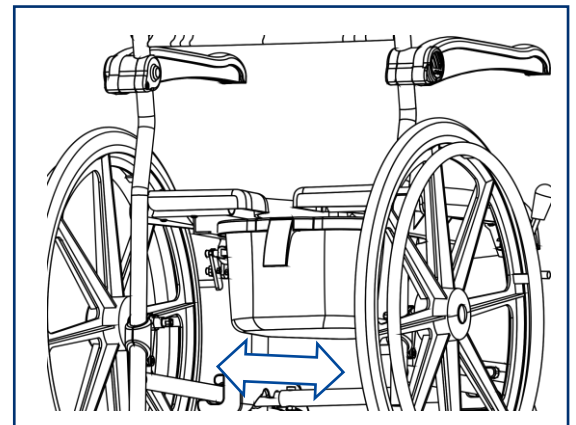
3.4 Wiaderko toaletowe

Wkładanie:

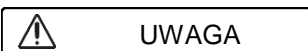
- Umieścić wiaderko toaletowe z tyłu, krawędzią na dwóch prowadnicach.
- Wsunąć do przodu, aż do blokady wiaderka.

Wymywanie:

- Wysunąć wiaderko do tyłu, podtrzymując je drugą ręką.



3.5 Przesiadanie się na wózek/z wózka prysznicowego



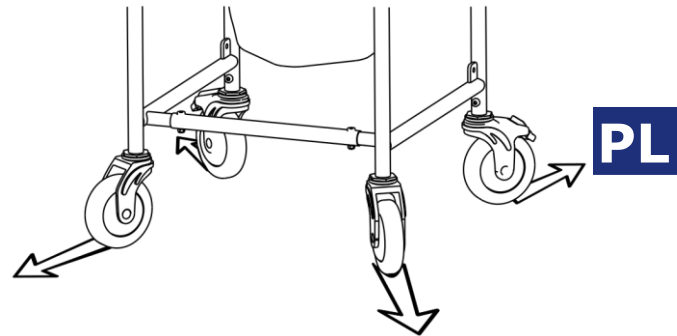
UWAGA

Ryzyko obrażeń i uszkodzeń

- Jeśli użytkownik nie może się bezpiecznie przesiąść, powinien poprosić o pomoc.
- Podczas przesiadania nie stać na podpórkach pod stopy.
- Podczas przesiadania nie opierać się na podłokietnikach.

Przesiadanie się

- Ustawić wózek prysznicowy możliwie najbliżej użytkownika, siedzącego na krześle, kanapie, fotelu, łóżku itp.
- Obrócić kółka samonastawne na zewnątrz, aby zwiększyć stabilność, patrz ilustracja.
- Zaciśnąć hamulce, patrz §3.1.
- Wepchnąć podnózek pod siedzisko i obrócić jeden z podłokietników w górę (patrz §3.3 i §3.2).
- Użytkownik może się przesiąść na wózek/z wózka samodzielnie, używając siły rąk. Można też użyć sprzętu do podnoszenia lub poprosić o pomoc asystenta.

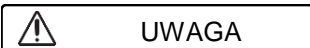


Siedzenie na wózku

- Siedzieć na siedzisku tak, aby dolna część pleców opierała się o oparcie.
- Ponownie rozłożyć podłokietnik i/lub podnózek.
- Postawić stopy na podpórcę.
- Upewnić się, że uda leżą poziomo; odpowiednio ustawić podnózek, patrz §3.3.

3.6 Przetaczanie/jazda na wózku prysznicowym

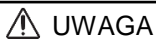
i Informacje o pokonywaniu progów i innych przeszkód znajdują się w instrukcji obsługi wózka w naszej witrynie internetowej.

**UWAGA**

Ryzyko obrażeń i uszkodzeń

- Przed każdym użyciem upewnić się, że:
 - Wszystkie części są prawidłowo i mocno zamocowane, patrz § 4.
 - Hamulce działają prawidłowo, patrz §3.1.
- Stopy trzymać na podpórcę.
- Progi i inne przeszkody należy pokonywać, jadąc tyłem.

4 Montaż i regulacje



UWAGA

Ryzyko obrażeń i uszkodzeń

- Należy używać wyłącznie zakresów opisanych w niniejszej instrukcji.

4.1 Narzędzia

Aby zmontować/zdemontować i wyregulować wózek prysznicowy, potrzebne są następujące narzędzia:

- Zestaw kluczy 13
- Zestaw kluczy imbusowych 3 - 4 – 5

4.2 Sposób dostawy

Zależnie od sposobu pakowania, rama i koła są zmontowane lub rozmontowane. W przypadku małych pudeł ze zdemontowaną ramą w skład dostawy wchodzi następujące części;

- Lewa rama z podłokietnikiem
- Prawa rama z podłokietnikiem
- Przednia rura ramy
- Rama oparcia
- Oparcie
- Dwie podpory z kółkami samonastawnymi, bez hamulców
- Dwie podpory z tylnymi kółkami samonastawnymi i hamulcami (tylko w modelu 5")
- Dwa tylne koła 24" (tylko w modelu 24")
- Podnóżek
- Akcesoria
- Instrukcja obsługi

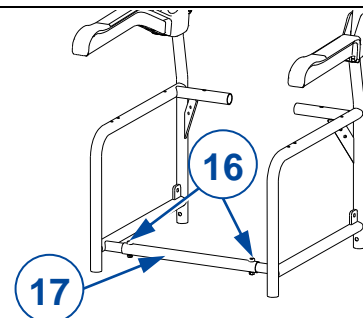
Przed użyciem sprawdzić, czy żadnej części nie brakuje i czy żadna z nich nie jest uszkodzona.

4.3 Montaż (demontaż)

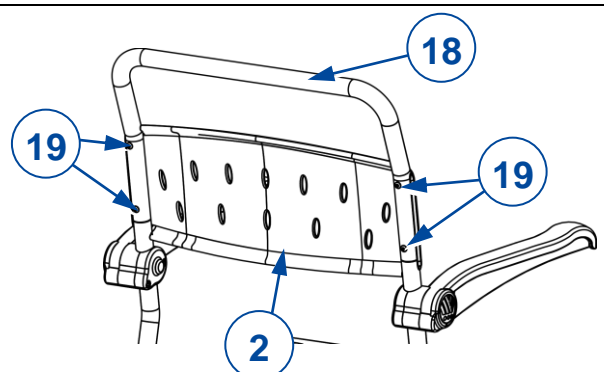


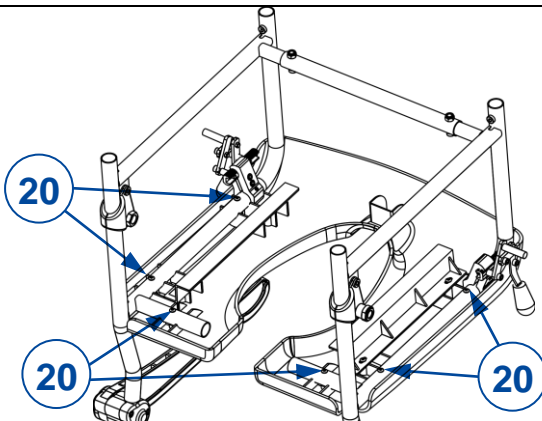
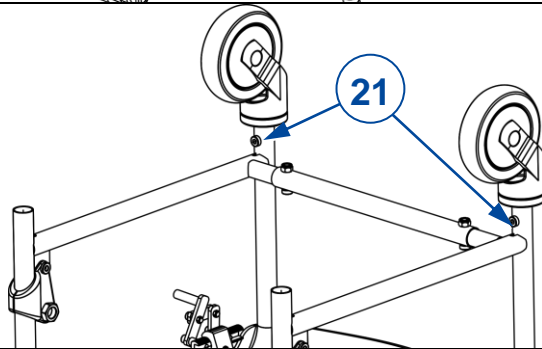
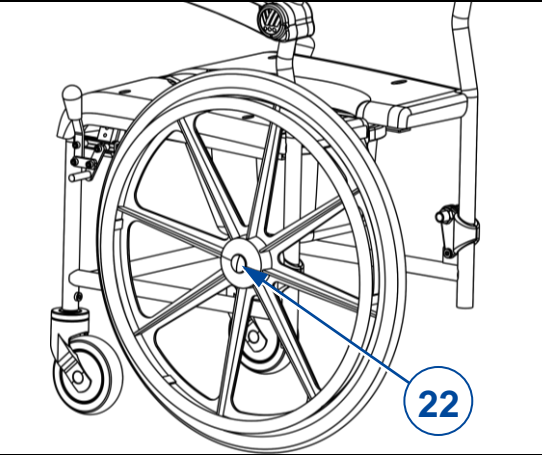
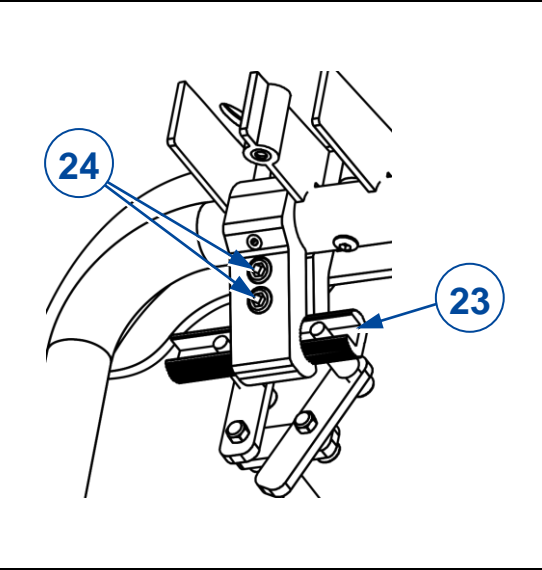
Poniżej opisano montaż wózka. Aby zdemontować, wykonać te same kroki w odwrotnej kolejności.

- Połączyć lewą i prawą ramę z przodu za pomocą rury ramy (17):
 - Włożyć śruby z łbem gniazdowym (16) do otworów w ramie, mocno dokręcić śruby i nakrętki.
 - Sprawdzić, czy części ramy są prawidłowo i mocno zmontowane.



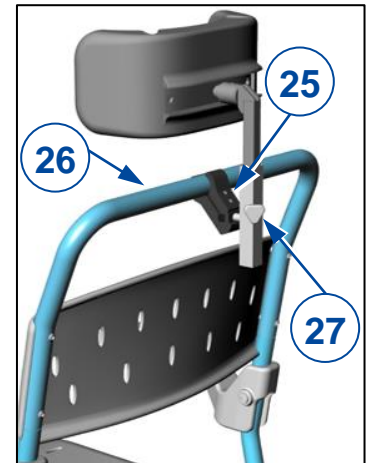
- Połączyć lewą i prawą ramę z tyłu za pomocą ramy oparcia (18):
 - Nasunąć rurę ramy oparcia (18) na wystające końce rur ram bocznych.
 - Zamontować oparcie (2) tak, aby zakrzywiona strona była na górze.
 - Mocno dokręcić cztery śruby z łbem gniazdowym (19).



<p>3. Montaż siedziska:</p> <ul style="list-style-type: none"> • Obrócić ramę do góry nogami, umieścić ramę siedziska na spodzie siedziska. • Upewnić się, że blokada wiaderka znajduje się z przodu. • Mocno dokręcić 2x3 śruby z łbem gniazdowym (20). 	
<p>4. Montaż przednich kół (2 x):</p> <ul style="list-style-type: none"> • Włożyć końce rur podpór kół w końce rur ramy. • Mocno skręcić obie podpory kół za pomocą śruby z łbem gniazdowym (21). • Sprawdzić, czy przednie koła są prawidłowo i mocno zamontowane. 	
<p>5. Dodawanie tylnych kół:</p> <ul style="list-style-type: none"> • Tylko w modelu 5": Zamontować oba tylne koła z hamulcami, patrz poprzedni krok. • Tylko w modelu 24": Włożyć trzpień połączeniowy (22) jednego z kół 24" do piasty w ramie, aż rozlegnie się kliknięcie. Powtórzyć z drugim kołem. • Sprawdzić, czy tylne koła są prawidłowo i mocno zamontowane. 	
<p>6. Regulacja hamulca postojowego (tylko w modelu 24"):</p> <ul style="list-style-type: none"> • Poluzować dwie śruby z łbem gniazdowym (24). • Przesunąć hamulec postojowy w położenie hamowania (dźwignia hamulca do przodu). • Przesunąć wspornik hamulca postojowego (23), aż element dociskowy nacisnie na oponę. • Dokręcić dwie śruby z łbem gniazdowym (24). • Sprawdzić, czy po zaciśnięciu hamulca wózek prysznicowy się nie porusza. Jeśli się porusza, powtórzyć regulację. • Powtórzyć z drugim hamulcem postojowym. • Sprawdzić, czy oba wsporniki hamulca (23) są prawidłowo i mocno zamocowane. 	
<p>7. Aby dodać podnóżek (6), patrz §3.3.</p>	

4.4 Montaż i regulacja zagłówka

1. Poluzuj dwie śruby (25) na kalmrze zagłówka.
2. Zapnij zagłówek do ramy oparcia (26).
3. Mocno dokręć dwie śruby (25). Upewnij się, że zagłówek jest dobrze zabezpieczony.
4. Poluzuj pokrętło (27) ręką, aby wyregulować wysokość zagłówka do żądanej pozycji. Mocno dokręć pokrętło.

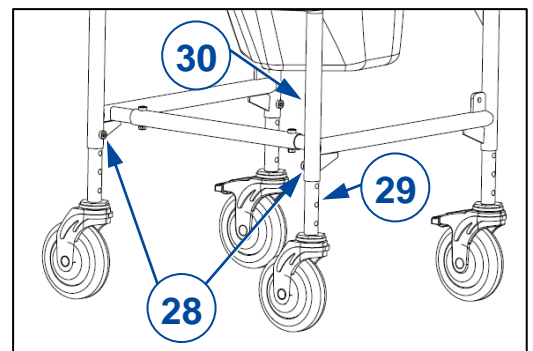


PL

4.5 Regulacja wysokości siedziska (tylko dla 5" kół)

Wysokość siedziska Można regulować na odległości 90mm (skok 30mm).

1. Odkręć śrubę (28) od nogi.
2. Ustaw nóżkę na żądaną wysokość, przesuwaną rurkę wewnętrzną (29) w górę/ w dół w rurze ramy zewnętrznej (30).
3. Włóż śrubę w otwór (28) i mocno dokręć.
4. Powtórz tę czynność dla pozostałych nóg. Upewnij się, że wszystkie nogi są mocno zabezpieczone i że zostały ustawione na tej samej wysokości.



4.6 Montaż pasa bezpieczeństwa

Pas bezpieczeństwa jest przymocowany do ramy za pomocą dwóch dolnych śrub (31) oparcia.



4.7 Montaż wspornika bezpieczeństwa

Aby zamontować wspornik bezpieczeństwa, przesuń go na boki na podłokietnikach z jednej strony na drugą.

5 Konservacja

5.1 Punkty poddawane konserwacji

 **UWAGA** Ryzyko obrażeń i uszkodzeń

Naprawa i wymiana części mogą być wykonywane tylko przez osoby przeszkolone. Należy używać wyłącznie oryginalnych części zamiennych Vermeiren.

i Na ostatniej stronie instrukcji znajduje się formularz dla wyspecjalizowanego sprzedawcy, służący do odnotowywania wszystkich czynności serwisowych. Częstotliwość serwisu zależy od częstotliwości i intensywności użytkowania. Skontaktuj się ze sprzedawcą, aby uzgodnić harmonogram kontroli/konserwacji/napraw.

Przed każdym użyciem

Sprawdź następujące punkty:

- Czy wszystkie części: Czy są zamontowane, nie są uszkodzone ani zużyte.
- Czy wszystkie części: Zabrudzenie, patrz §5.2.2.
- Koła, siedzisko, wszystkie podnóżki, podłokietniki, podpórki pod stopy, zagłówek (jeśli dotyczy): Poprawność zamocowania.
- Stan kół/opon, patrz §5.2.1;
- Stan hamulców, patrz § 5.2.1.
- Stan ramy: Brak odkształceń, niestabilności, osłabień, poluzowanych połączeń
- Siedzisko, oparcie, poduszki podłokietników, poduszki pod nogi, zagłówek (jeśli dotyczy): Brak nadmiernego zużycia (wgniecenia, uszkodzenia, rozdarcia).

Skontaktuj się z wyspecjalizowanym sprzedawcą w kwestii ewentualnych napraw lub wymiany części.

Co roku lub częściej

Zlecaj kontrolę i serwis wózka wyspecjalizowanemu sprzedawcy raz w roku lub częściej. Minimalna częstotliwość czynności konserwacyjnych zależy od natężenia eksploatacji. Dlatego należy ją uzgodnić z wyspecjalizowanym sprzedawcą.


5.2 Instrukcje konserwacji

5.2.1 Koła i opony

i Prawidłowe funkcjonowanie hamulców zależy od stanu opon, który zmienia się w zależności od zużycia i zanieczyszczenia (woda, olej, błoto itp.).

- Koła powinny być czyste i wolne od drutów, włosów, piasku, włókien z dywanów i osadów z mydła.
- Sprawdź profil opon. Jeśli bieżnik jest płytszy niż 1 mm, opony należy wymienić. Skontaktuj się z wyspecjalizowanym sprzedawcą w tej kwestii.

5.2.2 Czyszczenie

 **UWAGA** Ryzyko uszkodzenia spowodowanego wilgocią

- Do czyszczenia wózka nigdy nie używaj strumienia wody z węża ani myjki wysokociśnieniowej.

Wszystkie twarde części wózka wycieraj wilgotną (ale nie ociekającą wodą) ściereczką. W razie konieczności używać łagodnego detergentu odpowiedniego do mycia powierzchni lakierowanych i z tworzyw sztucznych.

Wózek prysznicowy można myć wodą o temperaturze 85°C przez maksymalnie 3 minuty.

5.2.3 Dezynfekcja

 UWAGA Ryzyko uszkodzenia

Dezynfekcję mogą wykonywać wyłącznie osoby odpowiednio przeszkolone. Zasięgnąć porady u wyspecjalizowanego sprzedawcy.

5.3 Diagnozowanie i rozwiązywanie problemów

Nawet jeśli wózek jest użytkowany prawidłowo, może wystąpić problem techniczny. W takim przypadku skontaktuj się z lokalnym wyspecjalizowanym sprzedawcą.

 OSTRZEŻENIE Ryzyko obrażeń i uszkodzeń wózka

- NIGDY nie podejmować prób samodzielnej naprawy wózka.

Następujące objawy mogą oznaczać poważny problem. Jeśli wystąpią któreś z poniższych sytuacji, zawsze skontaktuj się z wyspecjalizowanym sprzedawcą.

- Nietypowe dźwięki;
- Nierównomierne zużycie bieżnika opon;
- Szarpane ruchy;
- Wózek inwalidzki ściąga na jedną stronę;
- Uszkodzone lub pęknięte zespoły koła.

5.4 Oczekiwany okres użytkowania

Przeciętny okres użytkowania wózka prysznicowego to 5 lat. Ten czas może być dłuższy lub krótszy, zależnie od częstotliwości korzystania, warunków jazdy i konserwacji wózka.

5.5 Koniec użytkowania

Po zakończeniu użytkowania należy poddać wózek prysznicowy utylizacji zgodnie z lokalnie obowiązującymi przepisami w zakresie ochrony środowiska. Najlepszym sposobem, aby to zrobić, jest demontaż wózka prysznicowego w celu ułatwienia transportu części nadających się do przetworzenia.

6 Dane techniczne

Dane techniczne zamieszczone poniżej dotyczą tylko tego wózka prysznicowego, przy standardowych ustawieniach i optymalnych warunkach otoczenia. Podczas użytkowania należy uwzględnić te dane. Wartości będą nieważne, jeśli wózek prysznicowy zostanie zmodyfikowany, uszkodzony lub w dużym stopniu zużyty.

Tabela 1: Dane techniczne

Marka	VERMEIREN	
Typ	Wózek prysznicowy	
Model	Pluo	
Opis	Wymiary 5" standardowo	Wymiary 24" tylne koła
Maksymalna masa użytkownika	150 kg	150 kg
Łączna wysokość	1035 mm	1035 mm
Łączna szerokość	600 mm	680 mm
Łączna długość (regulowany podnózek)	720 - 760 - 785 mm	910 - 950 - 975 mm
Wymiary po złożeniu W x S x D	1035 x 570 x 570 mm	1035 x 623 x 570 mm
Wysokość i kąt podnóżka (regulowane)	90 - 105 - 120 mm 4° - 7° - 9°	90 - 105 - 120 mm 4° - 7° - 9°
Wysokość siedziska	515 mm	515 mm
Głębokość siedziska	450 mm	450 mm
Szerokość siedziska	480 mm	480 mm
Wysokość oparcia	920 mm	920 mm
Odległość między podłokietnikiem i siedziskiem	225 mm	225 mm
Przednie położenie konstrukcji podłokietnika (podnózek wysunięty najdalej do przodu)	605-665 mm	605-665 mm
Masa łączna	9,7 kg	14,0 kg
Masa najcięższej części	8,0 kg	7,2 kg
Masy demontowalnych części		
	Koło 24": N.D.	2,5 kg (każde)
	Podnózek: 1,0 kg	1,0 kg
	Wiaderko toaletowe: 0,7 kg	0,7 kg
Pojemność wiaderka toaletowego	9,3 l	9,3 l
Średnica przedniego koła	125 mm (2x, samonastawne, bez hamulców)	125 mm (2x, samonastawne, bez hamulców)
Średnica tylnego koła	125 mm (2x, samonastawne, z hamulcami)	600 mm (2x stałe, z hamulcami)
Średnica ciągu	N.D.	530 mm
Temperatura użytkowania	5°C ~ +50°C	
Temperatura mycia	85°C przez maks. 3 minuty	
Temperatura przechowywania	+5°C ~ +65°C	
Zastrzegamy sobie prawo do wprowadzania zmian technicznych.		
Tolerancja pomiarów +/- 15 mm / 1,5 kg / 1,5°.		
N.D. = nie dotyczy		

Obsah

Obsah	1
Úvod	2
1 Tento výrobek	3
1.1 Příslušenství.....	3
2 Před použitím	4
2.1 Určené použití	4
2.2 Obecné bezpečnostní pokyny	4
2.3 Symboly na sprchovém křesle	5
2.4 První použití a uskladnění	5
3 Použití sprchového křesla	6
3.1 Brzdy	6
3.2 Loketní opěrka	7
3.3 Nožní opěrka.....	7
3.4 Toaletní mísa.....	7
3.5 Přesun na sprchové křeslo nebo z něj	7
3.6 Pohyb/jízda na sprchovém křesle	8
4 Montáž a seřízení	9
4.1 Nástroje	9
4.2 Způsob dodání	9
4.3 (De)montáž	9
4.4 Montáž a nastavení opěrky hlavy	11
4.5 Nastavení výšky sedadla (pouze pro 5 "kola).....	11
4.6 Montáž bezpečnostního pásu	11
4.7 Montáž bezpečnostní podpěry	11
5 Údržba	12
5.1 Body údržby	12
5.2 Pokyny údržby.....	12
5.3 Čištění	12
5.4 Řešení problémů	13
5.5 Očekávaná životnost.....	13
5.6 Konec používání	13
6 Technické údaje	14

Úvod

Řádně si tento návod přečtěte; pomůže vám seznámit se s provozem, schopnostmi a omezeními tohoto sprchového křesla.

Máte-li po přečtení tohoto návodu nějaké dotazy, obraťte se bez obav na svého odborného prodejce. Rád vám v této věci pomůže.

Aby byla zajištěna vaše bezpečnost a prodloužena životnost tohoto výrobku, věnujte mu řádnou péči a nechávejte jej pravidelně kontrolovat a opravovat.

Záruka tohoto výrobku je založena na běžném použití a údržbě, jak je to popsáno v tomto návodu. V případě poškození výrobku způsobeného nesprávným použitím či absencí údržby tato záruka zanikne.

V tomto návodu se odráží nejnovější vývoj výrobku. Společnost Vermeiren má právo provádět změny tohoto typu výrobku, aniž by byla povinna upravit nebo nahradit podobné výrobky, které již byly dodány.

Obrázky slouží k objasnění pokynů v tomto návodu. Detaily výrobku na obrázcích se mohou od daného výrobku lišit.

Nejnovější verzi následujících informací vždy naleznete na našich webových stránkách <http://www.vermeiren.com/>. Tyto webové stránky pravidelně navštěvujte pro případné aktualizace.

Osoby se zrakovým postižením si mohou stáhnout elektronickou verzi tohoto návodu, kterou jim může přečíst softwarová aplikace text-to-speech.



Pokyny pro invalidní vozík

Pro uživatele/ asistenta / pečovatele



Servisní příručka hygienické podpory

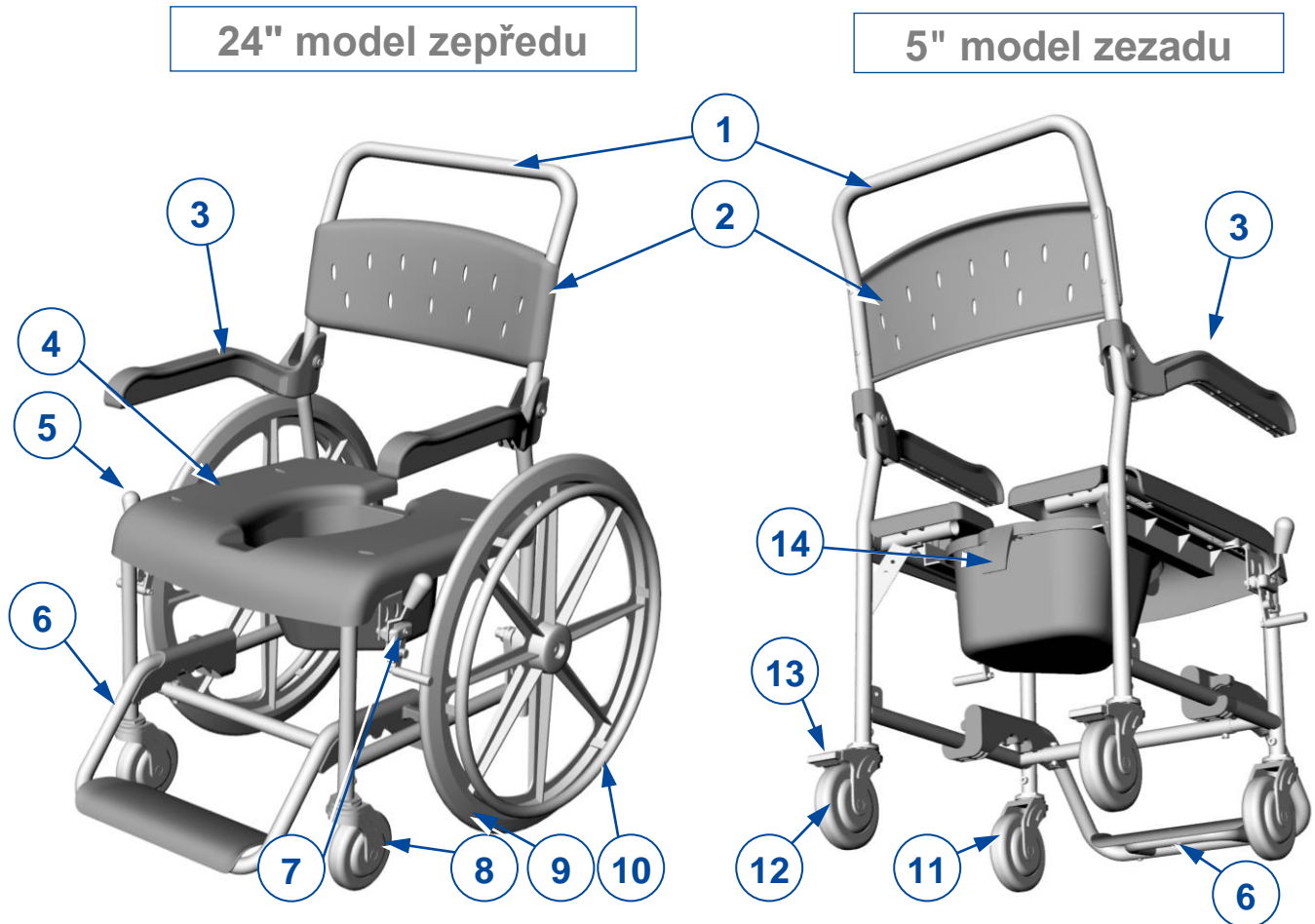
Pro odborného prodejce



Prohlášení o shodě (ES)

1 Tento výrobek

Toto mobilní sprchové křeslo s volitelnou toaletní mísou se snadno používá v koupelnách a je k dispozici se 4 otočnými koly nebo s 24" zadními koly.



1. Rám opěradla / tlačná tyč
2. Opěradlo
3. Otočná loketní opěrka
4. Sedadlo
5. Brzdová páka
6. Nožní opěrka
7. Parkovací brzda (pouze pro 24")

8. Přední kolo (řízení)
9. Zadní kolo 24"
10. Ruční ráfek (pouze pro 24")
11. Přední kolo (řízení)
12. Zadní kolo 5"
13. Parkovací brzda (pouze pro 5")
14. Toaletní mísa

1.1 Příslušenství

Pro sprchové křeslo Pluo je k dispozici následující příslušenství:

1. Nastavitelná výška nohou (pouze 5")
2. Opěrka hlavy
3. Bezpečnostní pás
4. Bezpečnostní vesta
5. PU sedadlo a zádovká opěrka
6. Gelové sedadlo
7. Boční podpora
8. Bezpečnostní podpěra

2 Před použitím

2.1 Určené použití

Tento odstavec obsahuje stručný popis zamýšleného použití tohoto sprchového křesla. Dále jsou k pokynům v dalších odstavcích přidána příslušná upozornění. Tímto způsobem chceme upozornit na případné chybné použití, k němuž může dojít.

- Indikace a kontraindikace: Sprchové křeslo je navržen a vyroben jako transportní pomůcka pro osoby s obtížemi chůze nebo bez schopnosti chůze. Různé typy příslušenství umožňují plné využití také pro zestárlé osoby a osobami s následujícími postiženími: ochrnutí, ztráta končetin, vady nebo deformace končetin, ztuhlé či poškozené klouby, srdeční nedostatečnosti a špatný krevní oběh, narušování rovnováhy, kachexie (snížení svalové hmoty). 5" sprchové křeslo je určeno pro obsluhu asistentem; 24" model může být obsluhován také osobou sedící v křesle.
- Toto sprchové křeslo je vhodné pouze pro použití v interiéru jako židle v koupelně a pro dopravu do koupelny nebo z ní.
- Toto sprchové křeslo je konstruováno a vyrobeno výhradně k přepravě jedné (1) osoby s maximální vahou 150 kg. Není určeno pro přepravu zboží či předmětů ani pro jakýkoli jiný účel, než je popsán výše.
- V případě potřeby používejte pouze příslušenství a náhradní díly schválené společností Vermeiren.
- Přečtěte si všechny technické detaily a omezení tohoto sprchového křesla v odst. 6.
- Záruka tohoto výrobku je založena na běžném použití a údržbě, jak je to popsáno v tomto návodu. V případě poškození výrobku způsobeného nesprávným použitím či absencí údržby tato záruka zanikne.

2.2 Obecné bezpečnostní pokyny

 **POZOR** Riziko zranění anebo poškození

Přečtěte si pokyny v tomto návodu a postupujte podle nich. Jinak může dojít k vašemu zranění nebo k poškození sprchového křesla.

Při použití mějte na paměti následující obecná upozornění:

- Toto sprchové křeslo nepoužívejte, jste-li pod vlivem alkoholu, léků či jiných látek, které by mohly ovlivnit vaše schopnosti jízdy v něm. To platí také pro váš doprovod, který sprchové křeslo obsluhuje.
- Mějte na paměti, že určité části tohoto sprchového křesla mohou být velmi teplé nebo studené vlivem okolní teploty, slunečního záření, topných těles nebo čisticí vody. Při dotýkání buďte opatrní.
- Nenaklánějte se příliš daleko dopředu či do stran, aby nedošlo k převrácení.
- Nestůjte na nožní opěrce.
- Sprchové křeslo zvedejte pouze tehdy, je-li prázdné. Sprchové křeslo uchopte za trubky rámu.
- Před každým použitím zkontrolujte všechny části na poškození a praskliny. Sprchové křeslo nepoužívejte, není-li v dobrém stavu. Pro případné opravy či výměny částí se obraťte na svého odborného prodejce.
- Toto sprchové křeslo žádným způsobem neupravujte.
- Dodržujte pokyny pro servis a péči o sprchové křeslo. Výrobce neodpovídá za škody způsobené nesprávným servisem / péčí o výrobek.

V případě, že došlo k závažnému incidentu s vaším výrobkem, informujte společnost Vermeiren nebo svého specializovaného prodejce a příslušný úřad ve vaší zemi.

2.3 Symboly na sprchovém křesle

Tohoto sprchového křesla se týkají symboly v následujícím seznamu. Symboly lze vyhledat v příslušné normě ISO (ISO 7000, ISO 7001 a IEC 417).



Maximální váha uživatele v kg



Pouze pro použití v interiéru



Typové označení



Nebezpečí skřípnutí

CS

2.4 První použití a uskladnění

 POZOR Riziko poškození baterie

- Zkontrolujte technické údaje pro skladování, viz kapitola 6.

3 Použití sprchového křesla



VAROVÁNÍ

Riziko zranění

- Nejprve si přečtěte předchozí kapitoly a seznamte se se zamýšleným použitím. Sprchové křeslo NIKDY nepoužívejte, dokud si nepřečtete všechny pokyny a neporozumíte jim.
- V případě pochybností či dotazů bez obav požádejte svého místního odborného prodejce, poskytovatele péče nebo technického poradce o pomoc.
- Zajistěte, aby nedošlo k zachycení rukou, oděvů, pásků, přezek či šperků v kolech nebo při seřizování.

3.1 Brzdy



UPOZORNĚNÍ

Riziko zranění anebo poškození

- Nepoužívejte brzdy ke zpomalení invalidního vozíku.

Tento invalidní vozík je vybaven dvěma ručně ovládanými parkovacími brzdami. Tyto brzdy slouží k tomu, aby bránily pohybu invalidního vozíku při zaparkování.

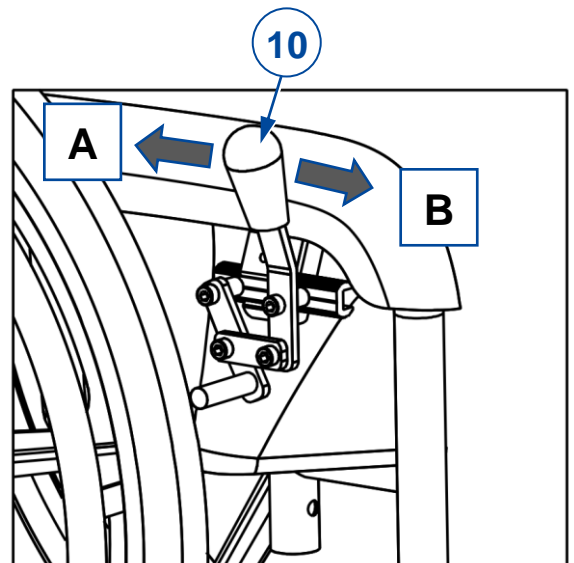
3.1.1 Parkovací brzdy pro 24" model

Deaktivace brzd [A]:

1. Pevně držte jeden ruční ráfek jednou rukou (nebo váš asistent drží tlačnou tyč jednou rukou).
2. Zatáhněte brzdovou páčku (10) DRUHÉHO kola do ZADNÍ polohy.
3. Zopakujte tento postup u druhého kola a parkovací brzdy.

Aktivace brzd [B]:

1. Pevně držte jeden ruční ráfek jednou rukou (nebo váš asistent drží tlačnou tyč jednou rukou).
2. Zatlačte brzdovou páčku (10) DRUHÉHO kola do PŘEDNÍ polohy, až ucítíte výraznou aretaci.
3. Zopakujte tento postup u druhého kola a parkovací brzdy.



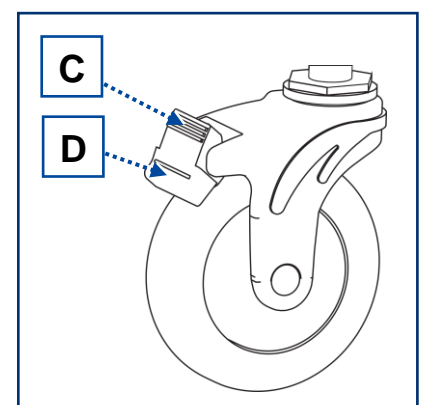
3.1.2 Parkovací brzdy pro 5" model

Deaktivace brzd [C]:

Zatlačte horní část brzdové páky dozadu pomocí chodidla.

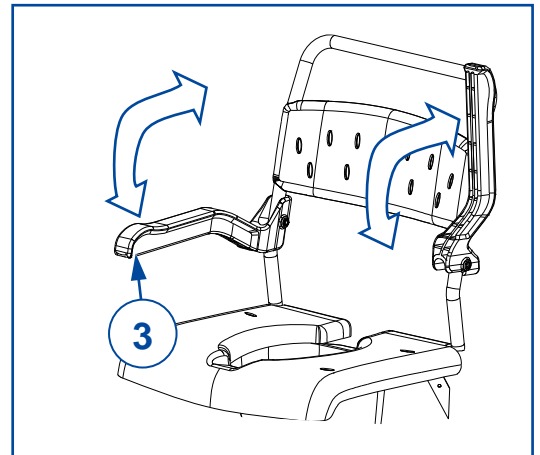
Aktivace brzd [D]:

Zatlačte dolní část brzdové páčky dolů k otočnému kolu pomocí chodidla.



3.2 Loketní opěrka

- Otočte ji nahoru k uvolnění místa pro přesun.
- Otočte ji dolů k pohodlnému sezení.



CS

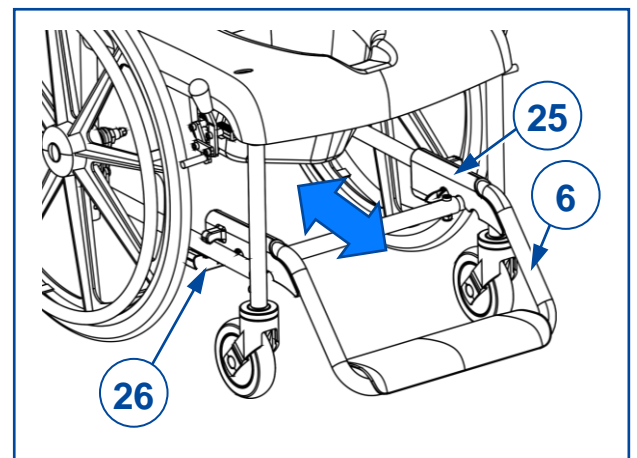
3.3 Nožní opěrka

Zasunutí a vysunutí:

- Zatlačte nožní opěrku (6) dovnitř nohou, abyste uvolnili místo pro přesun.
- Pro vysunutí ji vytáhněte. Zajistěte, aby přední trubka zapadla do výklenku podpěry nožní opěrky (25) (3 polohy k dispozici)

Demontáž a montáž:

- Demontujte vytažením svorky (26) z trubek rámu na levé a pravé straně. Posuňte opěrku nohou mezi trubky rámu předních kol.
- Namontujte zatlačením svorky (26) nožní opěrky na trubky rámu na levé a pravé straně. Zajistěte, aby přední trubka zapadla do výklenku podpěry nožní opěrky (25).



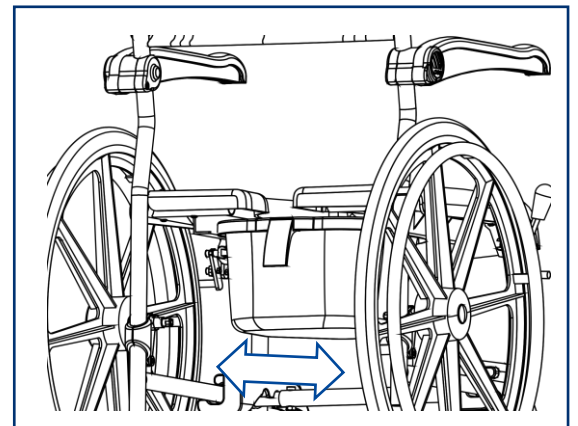
3.4 Toaletní mísa

Zasunutí:

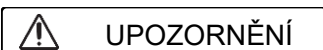
- Položte toaletní mísu na zadní stranu s jejím okrajem na dvou vodičkách.
- Zasuňte ji dopředu proti zarážce mísy.

Vysunutí:

- Vysuňte mísu dozadu a zároveň ji podpírejte druhou rukou.



3.5 Přesun na sprchové křeslo nebo z něj



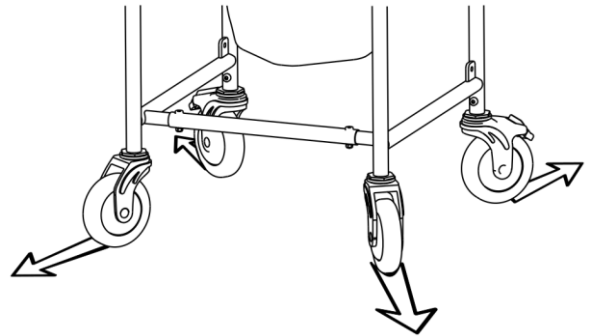
UPOZORNĚNÍ

Riziko zranění a poškození

- V případě, že nemůžete přesun provést bezpečně, požádejte někoho o asistenci.
- Při přenosu nestůjte na podnožkách.
- Při přenosu se neopírejte o loketní opěrky.

Přesun

- Když sedíte na židli, pohovce, sedačce či posteli, umístěte sprchové křeslo co nejbližší k sobě.
- Natočte otočná kola směrem ven, abyste získali větší stabilitu, viz obr.
- Aktivujte brzdy, viz odst. 3.1.
- Zasuňte nožní opěrku pod sedadlo a na jedné straně otočte loketní opěrku nahoru (viz odst. 3.3 a odst. 3.2).
- Přesuňte se na sprchové křeslo nebo z něj silou svých paží nebo pomocí asistenta či zdvihacího zařízení.



Sezení na invalidním vozíku

- Sedněte si na sedadlo a dolní část zad opřete o opěradlo.
- Znovu namontujte loketní opěrku anebo nožní opěrku.
- Položte chodidla na podnožku.
- Ověřte, že jsou stehna horizontálně; nastavte nožní opěrku, viz odst. 3.3.

3.6 Pohyb/jízda na sprchovém křesle

i Informace o tom, jak překonávat prahy a překážky, viz Pokyny pro invalidní vozík na našich webových stránkách.



UPOZORNĚNÍ

Riziko zranění a poškození

- Před každým použitím ověřte, že:
 - jsou všechny díly pevně zajištěny, viz odst. 4;
 - brzdy fungují správně, viz odst. 3.1.
- Mějte nohy stále na stupátku.
- Prahy a překážky musejí být překonávány pozadu.

4 Montáž a seřízení

VAROVÁNÍ Riziko zranění a poškození

- Používejte pouze nastavení uvedená v tomto návodu.

4.1 Nástroje

Pro (de)montáž a seřízení sprchového křesla jsou potřeba následující nástroje:

- Sada plochých klíčů č. 13
- Sada inbusových klíčů č. 3 - 4 – 5

CS

4.2 Způsob dodání

Rám a kola jsou smontována či demontována v závislosti na metodě balení. U malých krabic s demontovaným rámem jsou součástí dodávky následující položky:

- Levý rám s loketní opěrkou
- Pravý rám s loketní opěrkou
- Přední trubka rámu
- Rám opěradla
- Opěradlo
- Dvě podpěry s otočnými koly, bez brzd
- Dvě podpěry se zadními otočnými koly a brzdami (pouze pro 5" model)
- Dvě 24" zadní kola (pouze pro 24" model)
- Nožní opěrka
- Příslušenství
- Návod k obsluze

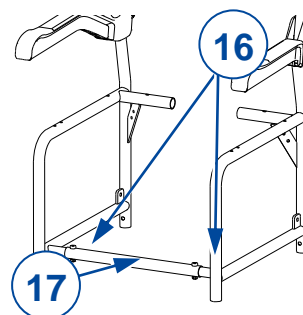
Před použitím zkontrolujte, zda nic nechybí a zda nejsou žádné produkty poškozeny.

4.3 (De)montáž

i

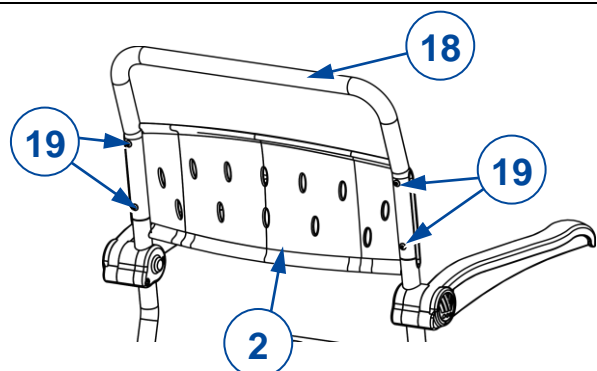
Další popis vysvětluje montáž křesla. Při demontáž postupujte v opačném pořadí.

1. Spojte levou a pravou část rámu vpředu pomocí trubky rámu (17):
 - Vložte šrouby s vnitřním šestihranem (16) do děr v rámu a řádně je včetně matic utáhněte.
 - Ověřte, že jsou části rámu dobře upevněny.



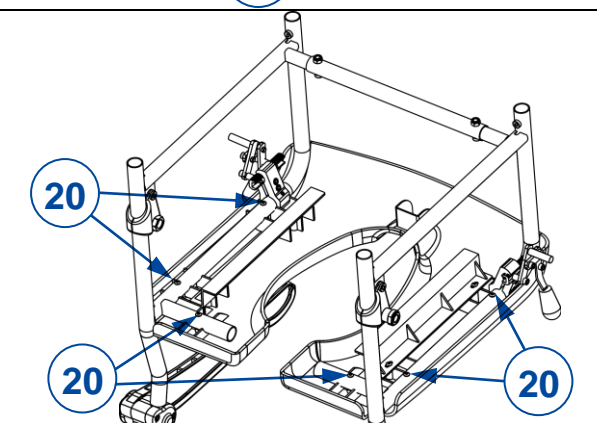
2. Spojte levou a pravou část rámu vzadu pomocí rámu opěradla (18):

- Nasuňte trubku zadního rámu (18) na vyčnívající konce trubek bočních stran rámu.
- Upevněte opěradlo (2) tak, aby mělo zakřivenou stranou nahoře.
- Vložte šrouby s vnitřním šestihranem (19) a řádně je utáhněte.



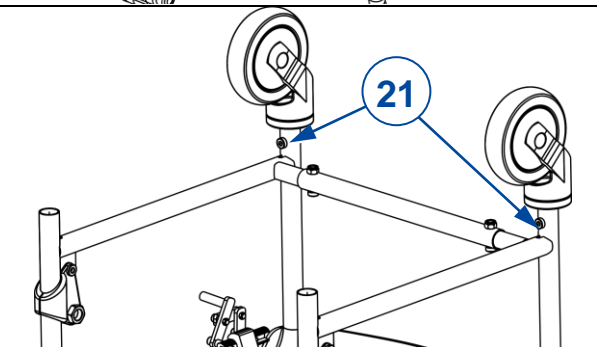
3. Namontujte sedadlo:

- Otočte rám vzhůru nohama a položte rám sedadla na spodní stranu sedadla.
- Zajistěte, aby byla zarážka mísy na přední straně.
- Řádně utáhněte 2x3 šrouby s vnitřním šestihranem (20).



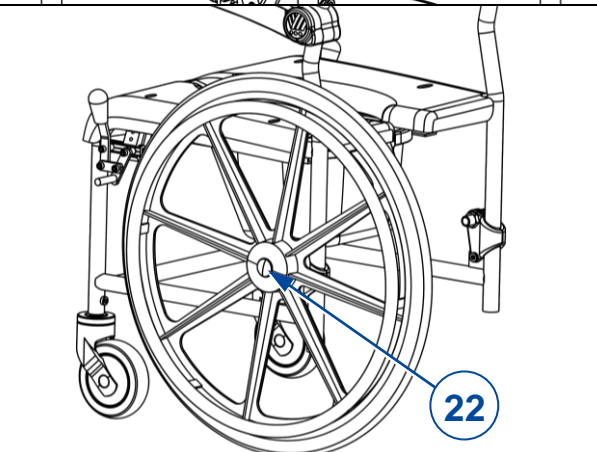
4. Namontujte přední kola (2x):

- Vložte konce trubek podpěr kol do konců trubek rámu.
- Řádně utáhněte obě podpěry kol pomocí šroubu s vnitřním šestihranem (21).
- Ověřte, že jsou přední kola dobře upevněna.

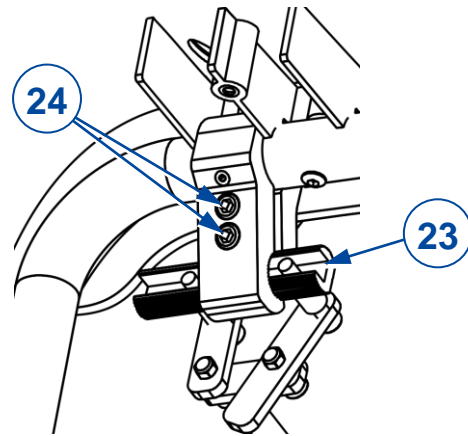


5. Přidejte zadní kola:

- Pouze pro 5" model: Namontujte obě zadní kola s brzdami, viz předchozí krok.
- Pouze pro 24" model: Zasuňte spojovací kolík (22) jednoho 24" kola do náboje hřídele na rámu do aretované polohy. Postup zopakujte pro druhé kolo.
- Ověřte, že jsou zadní kola dobře upevněna.

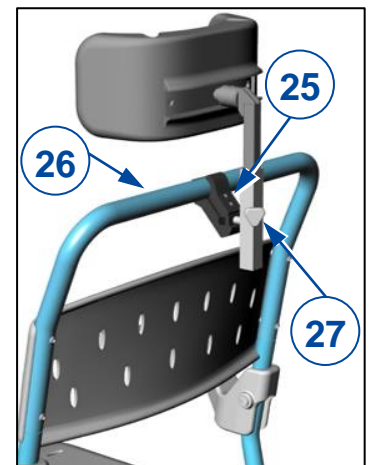


6. Seřídte parkovací brzdu (pouze pro 24" model):
- Povolte dva šrouby s vnitřním šestihranem (24).
 - Uveďte parkovací brzdu do brzdové polohy (brzdová páka dopředu).
 - Posuňte podpěru parkovací brzdy (23), dokud nebude brzdový doraz tlačít na pneumatiku.
 - Utáhněte dva šrouby s vnitřním šestihranem (24).
 - Ověřte, že sprchové křeslo zůstává na místě, když je použita brzda. Pokud tomu tak není, zopakujte seřízení.
 - Zopakujte tento postup u druhé parkovací brzdy.
 - Ověřte, že jsou obě brzdové podpěry (23) dobře upevněny.
7. Přidání nožní opěrky (6) viz odst. 3.3.



4.4 Montáž a nastavení opěrky hlavy

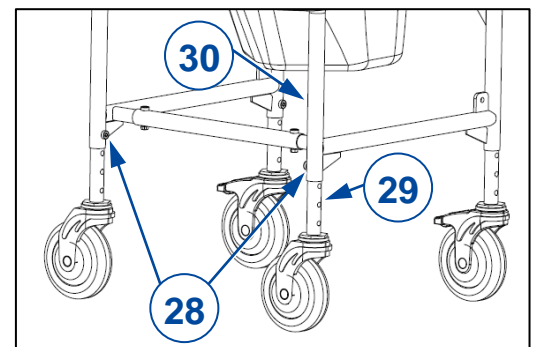
1. Povolte dva šrouby (25) na držáku opěrky hlavy.
2. Připevněte opěrku hlavy k rámu opěradla (26).
3. Pevně dotáhněte dva šrouby (25). Ujistěte se, že opěrka hlavy je dobře zajištěna.
4. Rukou povolte otočný knoflík (27) a nastavte výšku opěrky hlavy nahoru / dolů do požadované polohy. Znovu otočný knoflík pevně utáhněte.



4.5 Nastavení výšky sedadla (pouze pro 5" kola)

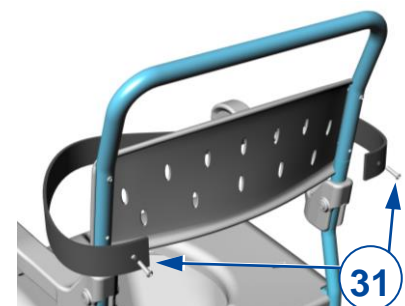
Výšku sedadla lze nastavit až na délku 90 mm (v krocích po 30 mm).

1. Vyjměte šroub (28) z nohy.
2. Nastavte nohu do požadované výšky posunutím vnitřní trubky (29) nahoru / dolů ve vnější trubce rámu (30).
3. Vraťte šroub (28) a pevně utáhněte.
4. Opakujte stejný postup u každé nohy. Ujistěte se, že jsou všechny nohy pevně zajištěné a že jsou nastavené do stejné výšky.



4.6 Montáž bezpečnostního pásu

Bezpečnostní pás je k rámu připevněn dvěma spodními šrouby (31) opěradla.



4.7 Montáž bezpečnostní podpěry

Chcete-li namontovat bezpečnostní podpěru, nasuňte ji z boku na opěrky rukou z jedné strany na druhou.

5 Údržba

5.1 Body údržby

 POZOR Riziko zranění a poškození

Opravy a výměny smějí provádět pouze vyškolené osoby. Přitom je třeba používat pouze originální náhradní díly společnosti Vermeiren.

i Poslední stránka tohoto návodu obsahuje registrační formulář pro odborného prodejce, který zapíše každý servis.

Service intervaly závisí na intenzitě a frekvenci používání. Požádejte svého prodejce o společnou dohodu na rozvrhu kontrol/údržby/oprav.

Před každým použitím

Zkontrolujte následující body:

- Všechny části: Přítomné a nepoškozené či neopotřebené.
- Všechny části: Čisté, viz odst.5.3.
- Kola, sedadlo, opěrky na nohy, loketní opěrky, podnožky, nožní desky a (případná) opěrka hlavy: Dobré zajištění.
- Stav kol/pneumatik, viz odst.5.2.1;
- Stav brzd, viz odst.5.2.1
- Stav rámu: Žádná deformace, nestabilita, zeslabení nebo uvolněné spoje
- Sedadlo, opěradlo, loketní podložky, podložky na nohy a (případná) opěrka hlavy: Bez nadměrného opotřebení (např. promáčknutá místa, poškození nebo roztržení).

Pro případné opravy či výměny částí se obraťte na svého odborného prodejce.

Ročně nebo častěji

Tuto sprchovací křeslo nechte u odborného prodejce ke kontrole a provedení servisu alespoň jednou ročně nebo častěji. Minimální četnost údržby závisí na používání, a proto by měla být společně dohodnuta s vaším odborným prodejcem.

5.2 Pokyny údržby

5.2.1 Kola a pneumatiky

i Správná funkce brzd závisí na stavu pneumatik, který se může měnit kvůli opotřebením a znečištění (voda, olej, bláto atd...).

- Udržujte kola bez drátů, vlasů, písku, kobercových vláken a mýdlových usazenin.
- Zkontrolujte vzorek na pneumatikách. Je-li hloubka dezénu menší než 1 mm, musí být pneumatiky vyměněny. Obraťte se v této věci na svého odborného prodejce.

5.3 Čištění

 POZOR Riziko poškození vlhkostí

- K čištění invalidního vozíku nikdy nepoužívejte hadici ani vysokotlaký čistič.

Otřete všechny pevné části sprchovací křeslo vlhkým (nikoli mokrým) hadříkem. V případě potřeby použijte jemné mýdlo vhodné na laky a syntetické barvy.

Sprchové křeslo lze čistit při 85 °C po dobu max. 3 minut.

5.3.1 Dezinfekce

 POZOR Riziko poškození

Dezinfekci mohou provádět pouze kvalifikované osoby. Poradte se se svým prodejcem.

5.4 Řešení problémů

I když tuto sprchovací křeslo používáte správně, může se vyskytnout technický problém. V takovém případě se obraťte na svého místního odborného prodejce.

 VAROVÁNÍ Riziko zranění a poškození sprchového křesla

- NIKDY se nepokoušejte opravit sprchovací křeslo sami.

Následující příznaky mohou znamenat vážný problém. Proto se obraťte na svého odborného prodejce vždy, když zaznamenáte některou z následujících odchylek:

- Divný zvuk;
- Nerovnoměrné opotřebení dezénu na jedné z pneumatik;
- Trhavé pohyby;
- Invalidní vozík se naklání na jednu stranu;
- Poškozené či rozbité sestavy kol.

5.5 Očekávaná životnost

Průměrná životnost tohoto sprchového křesla je 5 let. V závislosti na četnosti použití, jízdních podmínkách a údržbě se životnost této sprchovací křesla prodlouží nebo zkrátí.

5.6 Konec používání

Po skončení životnosti musí být sprchové křeslo zlikvidováno podle místní legislativy pro životní prostředí. Nejlepším způsobem likvidace je rozebrání sprchového křesla pro usnadnění přepravy recyklovatelných součástí.

6 Technické údaje

Technické údaje uvedené níže platí pouze pro toto sprchové křeslo při standardních nastaveních a optimálních podmínkách okolí. Během používání berte tyto údaje v úvahu. Pokud bylo toto sprchové křeslo upraveno, poškozeno nebo došlo k jeho velkému opotřebením, nebudou tyto hodnoty platné.

Tabulka 1: Technické údaje

Značka	VERMEIREN
Typ	Sprchové křeslo
Model	Pluo

Popis	Rozměry 5" standardní	Rozměry 24" zadní kola
Max. váha uživatele	150 kg	150 kg
Celková výška	1035 mm	1035 mm
Celková šířka	600 mm	680 mm
Celková délka (nastavitelná nožní opěrka)	720 - 760 - 785 mm	910 - 950 - 975 mm
Rozměry V x Š x D složené	1035 x 570 x 570 mm	1035 x 623 x 570 mm
Výška a úhel nožní opěrky (nastavitelné)	90 - 105 - 120 mm 4° - 7° - 9°	90 - 105 - 120 mm 4° - 7° - 9°
Výška sedadla	515 mm	515 mm
Hloubka sedadla	450 mm	450 mm
Šířka sedadla	480 mm	480 mm
Výška opěradla	920 mm	920 mm
Vzdálenost mezi loketní opěrkou a sedadlem	225 mm	225 mm
Přední umístění konstrukce loketní opěrky (nožní opěrka co nejvíce vpředu)	605 - 665 mm	605 - 665 mm
Celková hmotnost	9,7 kg	14,0 kg
Hmotnost nejtěžší části	8,0 kg	7,2 kg
Hmotnost snímatelných částí		
24" kolo:	--	2,5 kg (každé)
Nožní opěrka:	1,0 kg	1,0 kg
Toaletní mísa:	0,7 kg	0,7 kg
Objem toaletní mísy	9,3 l	9,3 l
Průměr předního kola	125 mm (2x, otočné, bez brzdy)	125 mm (2x, otočné bez brzdy)
Průměr zadního kola	125 mm (2x, otočné s brzdou)	600 mm (2x, pevné, bez brzdy)
Průměr ručního ráfku	--	530 mm
Provozní teplota	5 °C ~ +50 °C	
Čistící teplota	85 °C po dobu max. 3 min	
Skladovací teplota	+5 °C ~ +65 °C	

Vyhrazujeme si právo na zavádění technických změn.

Tolerance měření ±15 mm / 1,5 kg / 1,5°.

-- = **Netýká se**



Service registration form

This product (name):

was inspected (I), serviced (S), repaired (R) or disinfected (D):

By (stamp): Kind of work: I / S / R / D Date:	By (stamp): Kind of work: I / S / R / D Date:	By (stamp): Kind of work: I / S / R / D Date:
By (stamp): Kind of work: I / S / R / D Date:	By (stamp): Kind of work: I / S / R / D Date:	By (stamp): Kind of work: I / S / R / D Date:
By (stamp): Kind of work: I / S / R / D Date:	By (stamp): Kind of work: I / S / R / D Date:	By (stamp): Kind of work: I / S / R / D Date:
By (stamp): Kind of work: I / S / R / D Date:	By (stamp): Kind of work: I / S / R / D Date:	By (stamp): Kind of work: I / S / R / D Date:
By (stamp): Kind of work: I / S / R / D Date:	By (stamp): Kind of work: I / S / R / D Date:	By (stamp): Kind of work: I / S / R / D Date:



Vermeiren GROUP
Vermeirenplein 1 / 15
2920 Kalmthout
BE

website: www.vermeiren.com