



# Quava

# Quick Start Guide

CE	TYPE Quava	MD	Rev. 2025-06
≤ 136 kg			
→  →			

**1**

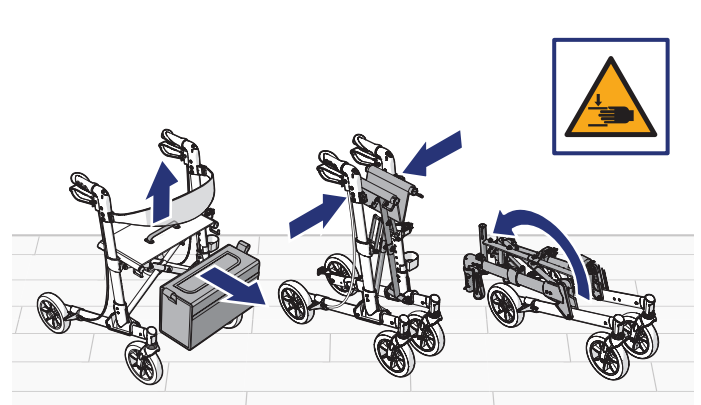
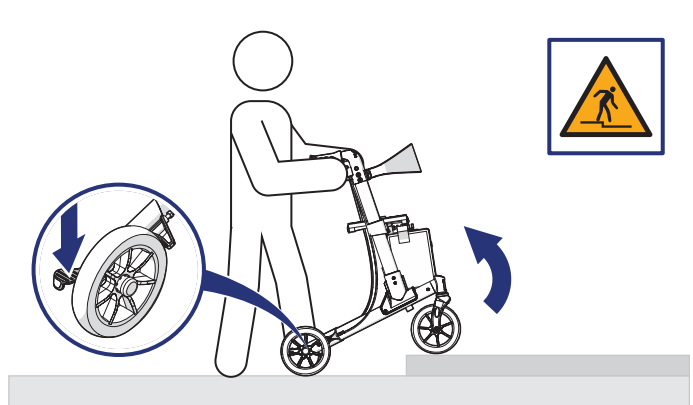
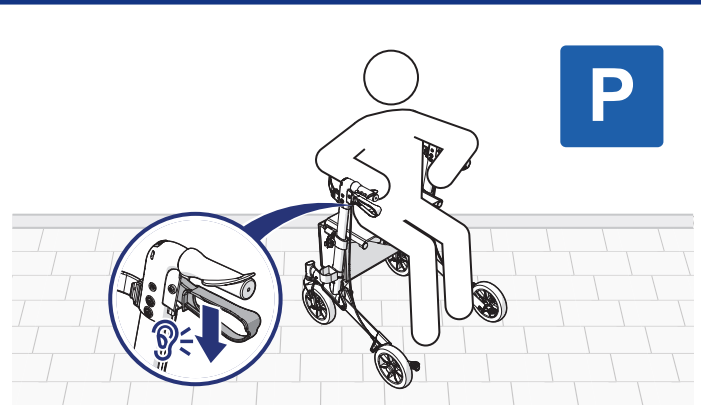
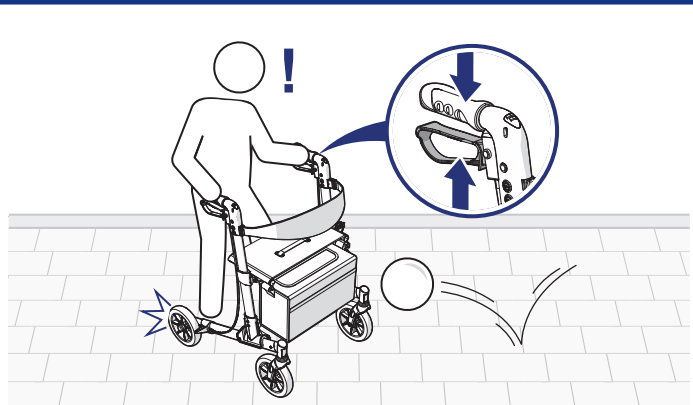
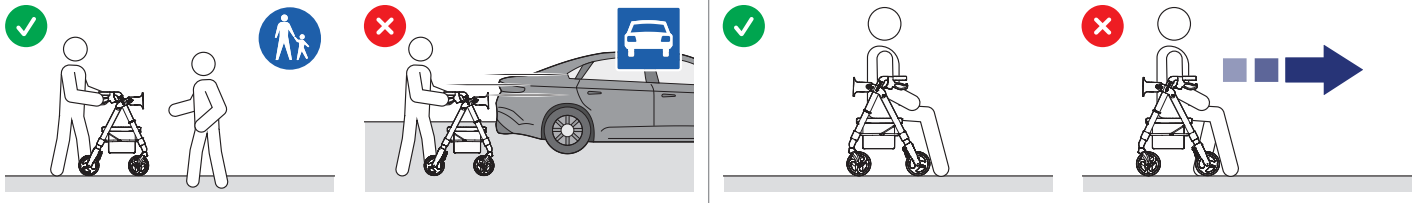
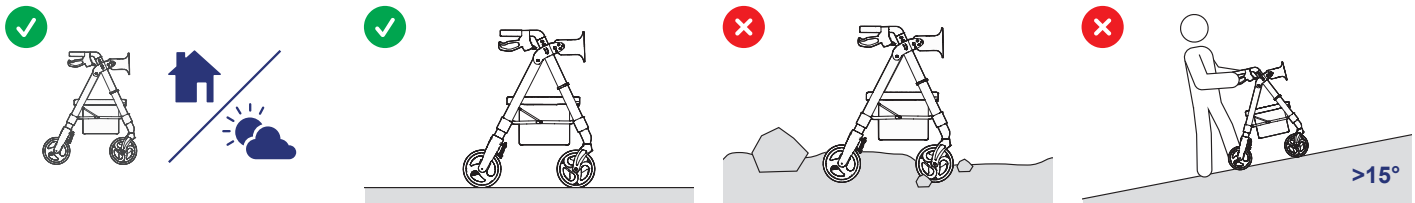
**2**

**3**

**4**

**5**

**6**



**VERMEIREN**  
we care for you

