

VERMEIREN

Lyna II - Lindsey

INSTRUCTION MANUAL
MODE D'EMPLOI
GEBRUIKSAANWIJZING
GEBRAUCHSANWEISUNG
ISTRUZIONI PER L'USO
MANUAL DE INSTRUCCIONES
INSTRUKCJA OBSŁUGI



EN

Instructions for specialist dealer

This instruction manual is part and parcel of the product and must accompany every product sold.

Version: E, 2016-08

FR

Instructions pour les distributeurs

Ce manuel d'instructions fait partie du produit et doit accompagner chaque produit vendu.

Version : E, 2016-08

NL

Instructies voor de vakhandelaar

Deze handleiding is deel van het product en dient bij iedere product te worden geleverd.

Versie: E, 2016-08

DE

Hinweise für den Fachhändler

Diese Gebrauchsanweisung ist Bestand-teil des Produkts und ist bei jeder Produkts auszuhändigen.

Version: E, 2016-08

IT

Istruzioni per il rivenditore

Il presente Manuale di istruzioni è parte integrante del prodotto e deve essere fornito assieme alla prodotto.

Versione: E, 2016-08

ES

Instrucciones destinadas a los distribuidores especializados

El presente manual de instrucciones es parte integrante del producto y se debe adjuntar a todas las producto que se vendan.

Versión: E, 2016-08

PL

Instrukcje dla wyspecjalizowanego sprzedawcy

Niniejsza instrukcja obsługi jest nieodłączną częścią produktu i musi być dołączona do każdego sprzedawanego produktu.

Wersja: E, 2016-08

All rights reserved, including translation.

No part of this manual may be reproduced in any form what so ever (print, photocopy, microfilm or any other process) without written permission of the publisher, or processed, duplicated or distributed by using electronic systems.

Tous droits réservés, y compris la traduction.

Aucune partie de ce manuel ne peut être reproduite, sous quelque forme que ce soit (imprimée, photocopie, microfilm ou tout autre procédé) sans l'autorisation écrite du publicateur, ni traitée, dupliquée ou distribuée à l'aide de systèmes électroniques.

Alle rechten, inclusief vertaling, voorbehouden.

Niets uit deze handleiding mag geheel of gedeeltelijk in enige vorm (druk, fotokopie, microfilm of ieder ander procedé) zonder de schriftelijke toelating van de uitgever worden gereproduceerd of met behulp van elektronische systemen worden verwerkt, gekopieerd of verspreid.

Alle Rechte, auch an der Übersetzung, vorbehalten.

Kein Teil der Gebrauchsanweisung darf in irgendeiner Form (Druck, Fotokopie, Mikrofilm oder einem anderen Verfahren) ohne schriftliche Genehmigung des Herausgebers reproduziert oder unter Verwendung elektronischer Systeme verarbeitet, vervielfältigt oder verbreitet werden.

Tutti i diritti riservati (anche sulla traduzione).

Il presente manuale non può essere riprodotto, neppure parzialmente, con alcun mezzo (stampa, fotocopia, microfilm o altro procedimento) senza l'autorizzazione scritta della casa produttrice, né elaborato, duplicato o distribuito con l'ausilio di sistemi elettronici.

Todos los derechos reservados, incluidos los de la traducción.

Se prohíbe la reproducción total o parcial del presente manual de cualquier forma (impresión, fotocopia, microfilm o cualquier otro procedimiento), así como la edición, copia o distribución empleando sistemas electrónicos, sin el permiso escrito del editor.

Wszelkie prawa zastrzeżone, łącznie z tłumaczeniem.

Żadna część niniejszej instrukcji nie może być powielana w jakiegokolwiek formie (drukowanej, fotokopii, mikrofilmu ani innej) bez pisemnej zgody wydawcy, nie może być również przetwarzana, kopiowana ani rozprowadzana za pomocą systemów elektronicznych.

EN**Contents**

1. Technical details	2
2. Components	2
3. Explanation of symbols	3
4. Check after delivery	3
5. Intended use	3
6. Before use	3
7. Fold and unfold the walking frame (Fig. 1)	3
8. Height adjustment handgrips (Fig. 2)	4
9. Carrying walking frame	4
10. Changing to articulating walking frame (Fig. 3 and 4)	4
11. Walking with non-articulating walking frame	4
12. Walking with articulating walking frame (only for Lyna II walking frame)	5
13. Transfer wheelchair to walking frame Lyna II	5
14. Transfer wheelchair to walking frame Lindsey	5
15. Safety instructions	5
16. Maintenance, inspection, cleaning	5

FR**Table des matières**

1. Caractéristiques techniques	6
2. Composants	6
3. Explication des symboles	7
4. Contrôle lors de la réception	7
5. Utilisation	7
6. Avant utilisation	7
7. Plier et déplier le cadre de marche (Fig. 1)	7
8. Ajustez les poignées en hauteur (Fig. 2)	7
9. Portez le cadre de marche	8
10. Changer l'articulation du cadre de marche (Fig. 3 et 4)	8
11. Marcher avec un cadre de marche non articulé	8
12. Marcher avec un cadre de marche articulé (seulement pour le Lyna II)	8
13. Transfert du fauteuil roulant vers le cadre de marche Lyna II	9
14. Transfert du fauteuil roulant vers le cadre de marche Lindsey	9
15. Consignes de sécurité	9
16. Maintenance, Inspection, Entretien	9

NL**Inhoudsopgave**

1. Technische gegevens	10
2. Onderdelen	10
3. Gebruikte symbolen	11
4. Controle bij ontvangst	11
5. Gebruik	11
6. Vóór gebruik	11
7. Op- en openvouwen van het loopkader (Fig. 1)	11
8. Hoogteverstelling handgrepen (Fig. 2)	11
9. Dragen van het loopkader	12
10. Veranderen naar articulerend loopkader (Fig. 3 en 4)	12
11. Wandelen met niet-articulerend loopkader	12
12. Wandelen met articulerend loopkader (enkel voor Lyna II loopkader)	12
13. Transfer van rolstoel naar loopkader Lyna II	13
14. Transfer van rolstoel naar loopkader Lindsey	13
15. Veiligheidsinstructies	13
16. Onderhoud, Inspectie, Schoonmaken	13

DE**Inhalt**

1. Technische Daten	14
2. Bauteile	14
3. Zeichenerklärung	15
4. Prüfungen nach der Lieferung	15
5. Zweckbestimmung	15
6. Vor Gebrauch	15
7. Zu- und Aufklappen des Gehgestell (Abb. 1)	15
8. Höheneinstellung Handgriffe (Abb. 2)	15
9. Transport Gehgestell	16
10. Ändern in reziprokes Gehgestell (Abb. 3 und 4)	16

11. Gehen mit starrem Gehgestell	16
12. Gehen mit reziprokem (nur Modell Lyna II)	16
13. Vom Rollstuhl zum Gehgestell Lyna II	17
14. Vom Rollstuhl zum Gehgestell Lindsey	17
15. Sicherheitsanweisungen	17
16. Wartung, Inspektion, Pflege	17

IT**Indice**

1. Dati tecnici	18
2. Componenti	18
3. Significato dei simboli	19
4. Controllo dopo la consegna	19
5. Utilizzo previsto	19
6. Prima di utilizzarlo si deve	19
7. Apertura e chiusura del deambulatore (Fig. 1)	19
8. Regolazione dell'altezza delle maniglie di spinta (Fig. 2)	19
9. Spostamento del deambulatore	20
10. Modifica del deambulatore articolato (Fig. 3 e 4)	20
11. Muoversi con il deambulatore non articolato	20
12. Muoversi con il deambulatore articolato (solo per il modello Lyna II)	20
13. Trasferimento dalla carrozzina al deambulatore Lyna II	21
14. Trasferimento dalla carrozzina al deambulatore Lindsey	21
15. Istruzioni per la sicurezza	21
16. Manutenzione, Controllo, Pulizia	21

ES**Índice**

1. Datos técnicos	22
2. Componentes	22
3. Explicación de los símbolos	23
4. Comprobación tras la entrega	23
5. Uso previsto	23
6. Antes de usar	23
7. Plegado y desplegado del caminador (Imagen 1)	23
8. Ajuste de la altura de las empuñaduras (Imagen 2)	23
9. Transportar el caminador	24
10. Cambiar a un caminador articulado (Imagen 3 y 4)	24
11. Caminar con un caminador no articulado	24
12. Caminar con el caminador articulado (solo para caminador Lyna II)	24
13. Transferencia de la silla al caminador Lyna II	25
14. Transferencia de la silla al caminador Lindsey	25
15. Instrucciones de seguridad	25
16. Mantenimiento, Inspección, Cuidados	25

PL**Spis treści**

1. Dane techniczne	26
2. Elementy składowe	26
3. Objaśnienia symboli	27
4. Kontrola po dostawie	27
5. Przeznaczenie	27
6. Przed użyciem należy	27
7. Składanie i rozkładanie balkonik (Rys. 1)	27
8. Regulacja wysokości uchwytu (Rys. 2)	27
9. Przenoszenia balkonika	28
10. Zmiana na zablokowany balkonik (Rys. 3 i 4)	28
11. Poruszanie się z niezablokowanym balkonikiem	28
12. Poruszanie się z balkonikiem (tylko balkonik Lyna II)	28
13. Przenoszenie się z wózka .. rehabilitacyjnego na balkonik	29
14. Zmiana pozycji z wózka na balkonik Lindsey	29
15. Instrukcje bezpieczeństwa	29
16. Konserwacja, Kontrola, Pielęgnacja	29





INSTRUCTION MANUAL

Walking frame Lyna II, Lindsey

1. Technical details

⚠ WARNING: Risk of unsafe settings - Use only the settings described in this manual.

Make	Vermeiren
Address	Vermeirenplein 1/15, B-2920 Kalmthout
Type	Walking frame 
Model	Lyna II
Total width	540 mm
Total length	470 mm
Maximum height	960 mm
Minimum height	780 mm
Width (folded)	120 mm
Length (folded)	510 mm
Height (folded)	780 mm - 955 mm
Distance between handgrips	495 mm
Weight	2,65 kg
Max. inclination forwards	10°
Max. inclination backwards	5°
Max. inclination sideways	8°
Maximum user weight	max. 130 kg
Turning diameter	1180 mm
Maximum angle handgrips	0° (not articulating) 3,5° (articulating)
Storage temperature	+5°C - +41°C
We reserve the right to introduce technical changes. Measurement tolerance +/- 15 mm / 1,5 kg / °	

Make	Vermeiren
Address	Vermeirenplein 1/15, B-2920 Kalmthout
Type	Walking frame 
Model	Lindsey
Total width	590 mm
Total length	540 mm
Maximum height	970 mm (handgrip 1) 710 mm (handgrip 2)
Minimum height	790 mm (handgrip 1) 535 mm (handgrip 2)
Width (folded)	120 mm
Length (folded)	605 mm
Height (folded)	790 mm - 970 mm
Distance between handgrips	475 mm
Weight	2,75 kg
Max. inclination forwards	10°
Max. inclination backwards	5°
Max. inclination sideways	8°
Maximum user weight	max. 130 kg
Turning diameter	1510 mm
Maximum angle handgrips	0° (not articulating)
Storage temperature	+5°C - +41°C
We reserve the right to introduce technical changes. Measurement tolerance +/- 15 mm / 1,5 kg / °	

First of all we wish to thank you for the trust you placed in us by selecting a **VERMEIREN** product.

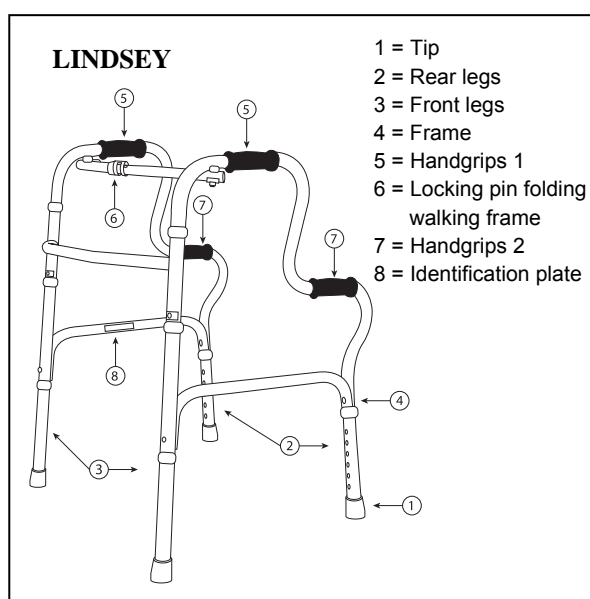
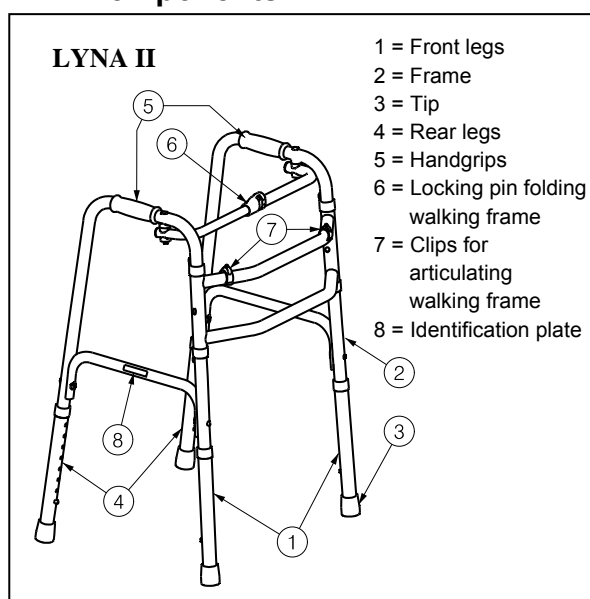
Before using the walking frame, read the instruction manual carefully: it will familiarise you with this product.

If you have any further questions, please consult your specialist dealer.

To find a service facility or specialist dealer near you, contact the nearest Vermeiren facility. A list of Vermeiren facilities can be found on the last page.

Visually impaired people can contact the dealer for the instructions for use.

2. Components



3. Explanation of symbols



Maximum mass



CE conformity



Type designation

4. Check after delivery

Unpack your product and verify if the delivery is complete. Following items should be included:

- walking frame with 4 tips (mounted)
- height adjustable handgrips
- manual

Verify your product for transport damage. If you find any damages after delivery proceed as follows:

- contact the transporter
- have a list made of any problems
- contact your supplier

5. Intended use

⚠ WARNING: Risk of falling - Do not use the walking frame if you have weak arm function or poor equilibrium.

The walking frame will compensate the lack of adequate support by the legs by leaning on, or moving with, the walking frame with usage of the upper limbs or chest. The walking frame will provide a better stability, support and safety during walking.

However, it cannot be used by persons with a visible weakened hand and/or arm function and also not by persons with a balance problem.

The walking frame can be used indoor and outdoor.

The walking frame should only be used on surfaces where all four tips are touching the ground. Not to be used on rocky terrain or steep hills (see technical details: max. inclination) so the walking frame can become unstable.

The product is not meant for transport of people and/or goods.

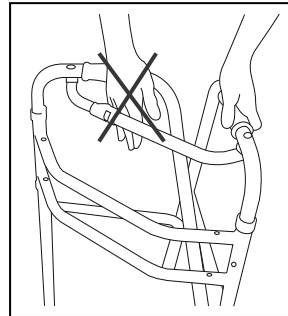
6. Before use

- Remove all packaging before using the walking frame for the first time.
- Unfold the walking frame.
- Adjust the handgrips in the desired height.

7. Fold and unfold the walking frame (Fig. 1)

⚠ WARNING: Risk of injury - Do not press on the locking pin (① in Fig. 1) unless you fold the walking frame.

⚠ WARNING: Risk of injury - Check that the walking frame is completely unfold before using it.



⚠ WARNING: Risk of clamping - Keep fingers, buckles and clothes away from the entrapment zone.

To transport the walking frame in the car or airplane you can fold the walking frame.

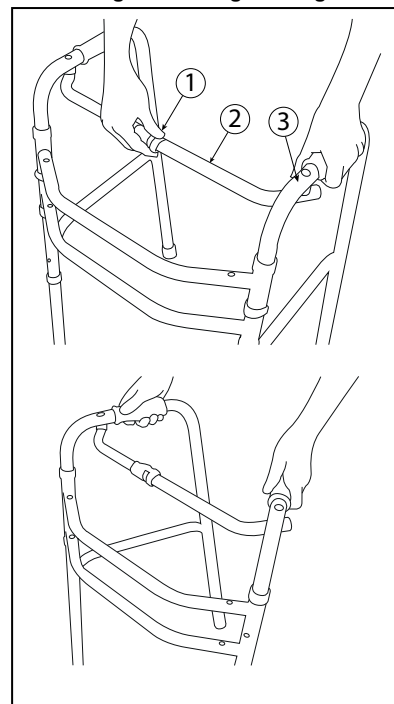
1. Folding walking frame

- Press the locking pin ① in the middle of the bar ②.
- Grasp the handgrips.
- Fold the side frames ③ one by one, inwards.

2. Unfolding walking frame

- Grasp the handgrips.
- Fold the side frames ③ one by one, outwards until it clicks in position.
- Check that the side frames ③ are well fixated and cannot move inwards, before using the walking frame.

Fig. 1 – Folding / Unfolding walking frame

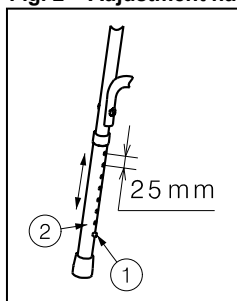


8. Height adjustment handgrips (Fig. 2)

- ⚠ **CAUTION: Risk of falling - Secure the handgrips firmly before using the walking frame. Check that the spring pin ① is firmly fixated in a hole.**
- ⚠ **CAUTION: Risk of falling - Do not exceed the maximum height adjustment of the handgrips, your walking frame will not be stable anymore.**
- ⚠ **CAUTION: Risk of tipping over - Place the four legs at the same height.**

Before using the walking frame you must adjust the handgrips in the correct height.

Fig. 2 – Adjustment handgrips



The handgrips can be adjusted in height by following steps:

- Press on the spring pin ①.
- Move the leg ② until the desired height (8 different positions: steps from 25 mm).
- Check that the spring pin ① is clicked back and firmly fixated in a hole.
- Adjust the other legs with the same instructions.
- Check that all legs are placed in the same position. When standing straight, the handgrips should be as high as your wrists. Leave your arms hanging loose. Elbows should be flexed at 20° to 30°.

9. Carrying walking frame

The best way to carry the walking frame is to grasp the walking frame on the handgrips when the walking frame is folded or unfolded.

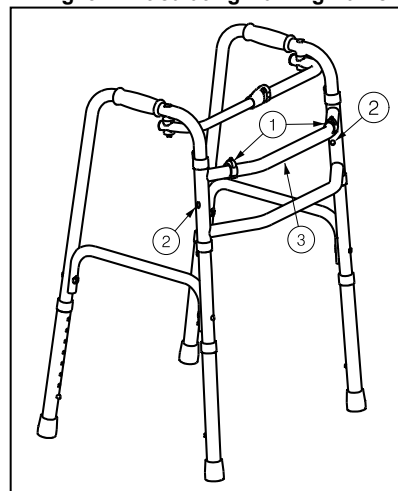
10. Changing to articulating walking frame (Fig. 3 and 4)

For the Lyna II walking frame there is the possibility to change these to an articulating or non-articulating walking frame.

Adjust the walking frame to articulating walking frame (Fig. 3):

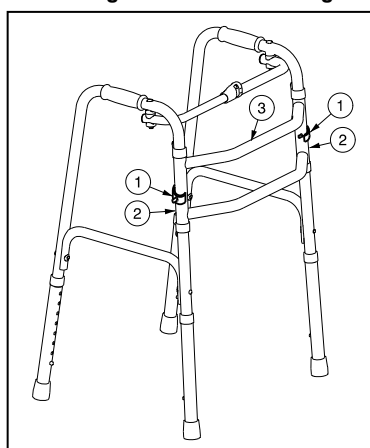
- Remove the locking clips ① out the holes of the side tubes ② on the front of the walking frame.
- Place the locking clips ① in the holes of the top tube ③.
- Now the side frames of the walking frame can be articulated (0° - 3,5°). The advantage is that these give you always a stable support.

Fig. 3 – Articulating walking frame



Adjust the walking frame to non-articulating walking frame (Fig.4):

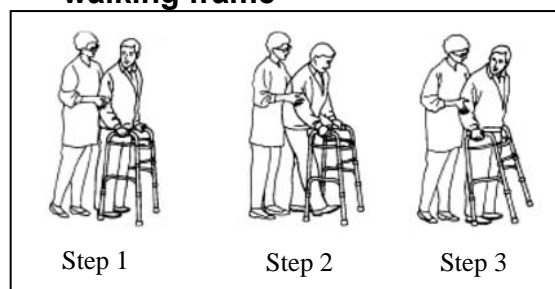
Fig. 4 – Non-Articulating walking frame



- Remove the locking clips ① out the holes of the top tube ③.
- Replace the locking clips ① in the holes of the side tubes ② on the front of the walking frame.

- Now the side frames of the walking frame cannot articulated (0°).

11. Walking with non-articulating walking frame



Step 1:
Align the middle of your feet with the rear legs of the walking frame.

Step 2:
Lift the walking frame up and place it in front of you making sure all four legs end up on the floor.

Step 3:
Carefully walk forward one step at a time.

12. Walking with articulating walking frame (only for Lyna II walking frame)

Step 1:

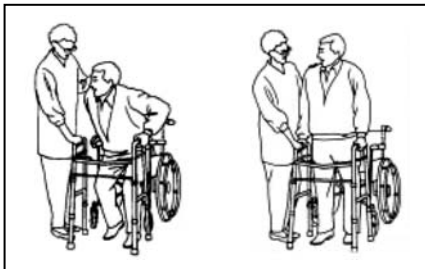
Align the middle of your feet with the rear legs of the walking frame.

Step 2:

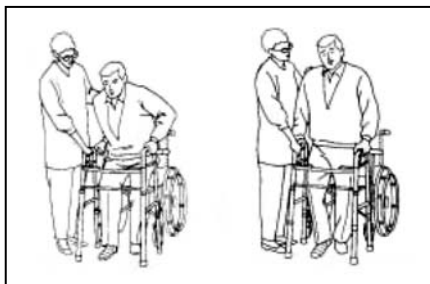
Slide one side frame with the handgrip forward. Afterwards slide the other side frame with the handgrip forward.

13. Transfer wheelchair to walking frame Lyna II

Make certain the wheels of the wheelchair are locked. Lift your body by pushing down on the armrests and carefully transfer, one hand at a time, to the walking frame (ask assistance if you feel uncertain).



(with lower extremity injury to right leg or foot) Make certain the wheels of the wheelchair are locked. Lift your body by pushing down on the armrests and carefully transfer the left hand first, followed by the right hand (If the injury is on the left leg or foot, transfer the right hand first, followed by the left).



14. Transfer wheelchair to walking frame Lindsey

The walking frame Lindsey have less high handgrips to get easier and safer out the wheelchair, bed,

Make certain the wheels of the wheelchair, bed, ... are locked. Lift your body by pushing down on the armrests and carefully transfer, one hand at a time, grasp first the less high handgrips of the walking frame, afterwards the higher handgrips.

15. Safety instructions

- Check that the walking frame is in a perfect condition before using it. If there

are damaged/missing parts change these immediately by a qualified technician.

- Do not sit on your walking frame - Risk of tipping over or injury.
- Use only the handgrips as support.
- Risk of burns – Be careful when using in hot or cold environments (sunshine, extreme cold, saunas, etc.) for a sufficient amount of time and when touching.
- Before every usage, check that the locking pins for height adjustment of your handgrips are firmly locked.
- Verify if the safety against unwanted folding/unfolding is functioning properly.
- Only proceed moving with your walking frame when you are standing comfortably and when both your hands are resting on the handgrips.
- Do not hold the handgrips with wet hands. If you do so, you can loose your grip and loose your balance.
- When you detect that your body is getting tired, check that you can find a place for resting.
- **The maximum user weight for your walking frame is 130 kg.**
- When using the walking frame outdoors, find yourself flat and stable areas to use your walking frame. Avoid curbs and/or deep holes. Find a place where the curbs are beveled.
- Avoid bumpy or sandy roads. Otherwise you might loose control over the stability of your walking frame.
- Be aware of: throw rugs, toys, drapes, animals, cracks in the floor, liquids or puddles.
- Do not proceed with your walking frame into traffic. Always stay on the pavement.
- Avoid roads, slopes with a very steep inclination (the maximum angles are mentioned in the technical details).
- Do not use your walking frame on staircases, escalators.
- Exercise when walking on slope surfaces, wet or slippery surfaces.
- Take note of the instructions for care and service. The manufacturer is not liable for damage caused by improper servicing/care.

16. Maintenance, inspection, cleaning

For the maintenance manual of the walking frames refer to the Vermeiren website: www.vermeiren.com.

MANUEL D'INSTRUCTION

Cadre de marche Lyna II, Lindsey

1. Caractéristiques techniques

⚠ AVERTISSEMENT : Risque de réglages dangereux - N'utilisez que les réglages décrits dans ce manuel.

Marque	Vermeiren
Adresse	Vermeirenplein 1 / 15 B-2920 Kalmthout
Type	Cadre de marche
Modèle	Lyna II
Largeur totale	540 mm
Longueur totale	470 mm
Hauteur maximale	960 mm
Hauteur minimale	780 mm
Largeur (plié)	120 mm
Longueur (plié)	510 mm
Hauteur (plié)	780 mm - 955 mm
Distance entre les poignées	495 mm
Poids	2,65 kg
Max. inclinaison avant	10°
Max. inclinaison en arrière	5°
Max. inclinaison en latérale	8°
Poids maxi utilisateur	Max. 130 kg
Diámetro de giro	1180 mm
Angle maximum de poignées	0° (non articulé) 3,5° (articulé)
Température de stockage	+5°C - +41°C
Nous nous réservons le droit d'apporter des modifications techniques. Tolérance de mesures ± 15 mm / 1,5 kg / °.	

Marque	Vermeiren
Adresse	Vermeirenplein 1 / 15 B-2920 Kalmthout
Type	Cadre de marche
Modèle	Lindsey
Largeur totale	590 mm
Longueur totale	540 mm
Hauteur maximale	970 mm (Poignée 1) 710 mm (Poignée 2)
Hauteur minimale	790 mm (Poignée 1) 535 mm (Poignée 2)
Largeur (plié)	120 mm
Longueur (plié)	605 mm
Hauteur (plié)	790 mm - 970 mm
Distance entre les poignées	475 mm
Poids	2,75 kg
Max. inclinaison avant	10°
Max. inclinaison en arrière	5°
Max. inclinaison en latérale	8°
Poids maxi utilisateur	Max. 130 kg
Diámetro de giro	1510 mm
Angle maximum de poignées	0° (non articulé)
Température de stockage	+5°C - +41°C
Nous nous réservons le droit d'apporter des modifications techniques. Tolérance de mesures ± 15 mm / 1,5 kg / °.	

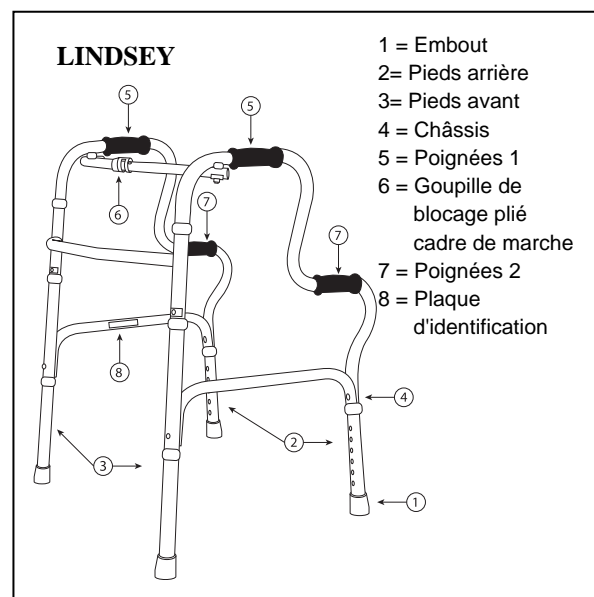
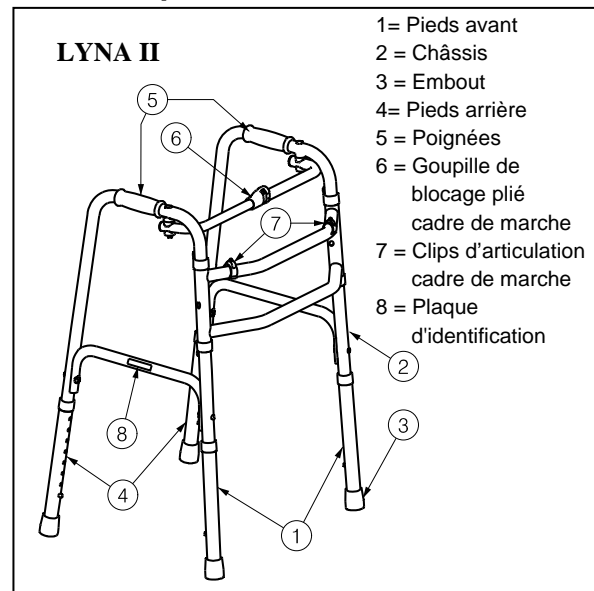
Nous tenons tout d'abord à vous remercier pour la confiance que vous nous accordez en optant pour un produit **VERMEIREN**.

Avant d'utiliser le cadre de marche, lisez attentivement le mode d'emploi; il vous permettra de vous familiariser avec la manipulation de ce produit.

Pour toute question, consultez votre distributeur. Pour trouver un service d'entretien ou un revendeur spécialisé près de chez vous, contactez l'établissement Vermeiren le plus proche. Vous trouverez une liste des établissements sur la dernière page.

Les personnes souffrant de problèmes visuels peuvent prendre contact avec le revendeur pour les instructions d'utilisation.

2. Composants



3. Explication des symboles



Poids maximum



Conformité CE



Désignation type

4. Contrôle lors de la réception

Déballer le produit et contrôler si la livraison est complète. Se trouvent dans le paquet:

- Cadre de marche avec 4 embouts pré-montés
- Poignées réglables en hauteur
- Mode d'emploi

Vérifiez bien que le colis n'ait pas subi de dégâts pendant le transport. Si vous constatez que ce produit ou le colis présentent, contre toute attente, des défauts, procédez comme suit:

- Déposez immédiatement une déclaration auprès du transporteur;
- Faites enregistrer les dégâts;
- Informez votre revendeur immédiatement.

5. Utilisation

⚠ AVERTISSEMENT : Risque de chute - N'utilisez pas le cadre de marche si vous avez les bras fébriles ou des problèmes d'équilibre.

Le cadre de marche sert à compenser la diminution de la résistance ou de la capacité des extrémités inférieures par l'utilisation de la force ou du soutien des extrémités supérieures ou du tronc, et à assister et assurer la marche.

Il ne faut pas utiliser le cadre de marche pour des personnes qui souffrent d'une réduction des fonctions des mains/bras ou d'importants troubles de l'équilibre.

Le cadre de marche peut s'utiliser à l'intérieur comme à l'extérieur.

Le cadre de marche doit être utilisé sur des surfaces où les 4 embouts sont en contact avec le sol. Ne pas utiliser sur des terrains rocheux ou pentes raides (voir les détails techniques: inclinaison maxi) le cadre de marche deviendra instable.

Le produit ne peut être utilisé pour transporter des personnes et/ou des objets.

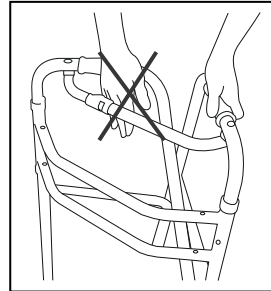
6. Avant utilisation

- Retirez tous les emballages avant d'utiliser le cadre de marche pour la première fois.
- Déplier le cadre de marche.
- Ajustez les poignées jusqu'à la hauteur souhaitée.

7. Plier et déplier le cadre de marche (Fig. 1)

⚠ AVERTISSEMENT : Risque de lésions - N'appuyez pas sur la goupille de verrouillage ① (dans la Fig. 1) sauf si vous voulez plier le cadre de la marche.

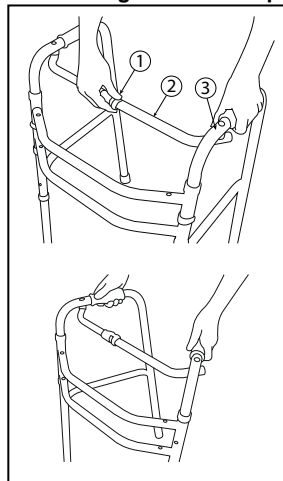
⚠ AVERTISSEMENT : Risque de lésions - Vérifiez que le cadre de marche soit complètement déplié avant de l'utiliser.



⚠ AVERTISSEMENT : Risque de coincement – Maintenez vos doigts, boucles (de ceinture) et vêtements à l'écart des zones représentant des goulots d'étranglement.

Pour transporter le cadre de marche dans la voiture ou en avion, vous pouvez le plier.

Fig. 1 – Plier / déplier le cadre de marche



1. Plier le cadre de marche

- Appuyez sur la goupille de verrouillage ① au le milieu de la barre ②.
- Prenez les poignées.
- Pliez les cadres latéraux ③ un par un, vers l'intérieur.

2. Déplier le cadre de marche

- Prenez les poignées.
- Pliez les cadres latéraux ③ un par un, vers l'extérieur jusqu'à ce qu'ils s'enclenchent.
- Vérifiez que les cadres latéraux ③ soient bien fixés et ne peuvent pas se déplacer vers l'intérieur, avant d'utiliser le cadre de marche.

8. Ajustez les poignées en hauteur (Fig. 2)

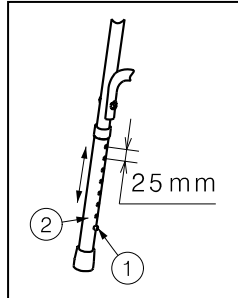
⚠ ATTENTION : Risque de chute - Fixez fermement les poignées avant d'utiliser le cadre de marche. Assurez-vous que la goupille ① soit bien fixée dans un trou.

⚠ ATTENTION : Risque de chute - Ne dépassez pas le réglage de la hauteur maximale des poignées, car votre cadre de marche ne sera plus stable.

⚠ ATTENTION : Risque de basculement - Placez les quatre pieds à la même hauteur.

Avant d'utiliser le cadre de marche, il est nécessaire d'en ajuster la hauteur.

Fig. 2 – Réglage des poignées



Suivez la procédure ci-dessous pour ajuster la hauteur des poignées :

- Poussez sur le goupille de blocage ①.
- Déplacez le pied ② à la hauteur souhaitée (8 positions différentes : écarts de 25 mm.).

- Vérifiez que la goupille ① soit fermement cliquée sur l'arrière dans son logement.
- Réglez l'autre pied de la même manière.
- Vérifiez que tous les pieds soient placés dans la même position. Quand vous êtes debout, les poignées doivent arriver à hauteur de vos poignets. Pour ce faire, laissez vos bras pendre. Vos coudes soient pliés à environ 20 à 30°.

9. Portez le cadre de marche

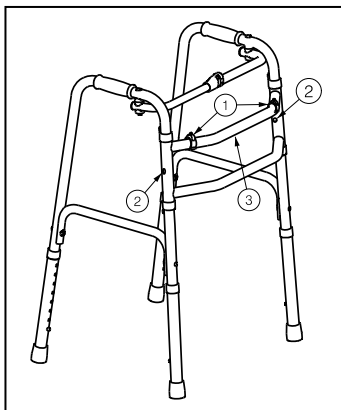
La meilleure façon de porter le cadre de marche par la poignée lorsqu'il est lié ou déplié.

10. Changer l'articulation du cadre de marche (Fig. 3 et 4)

Pour le cadre de marche Lyna II, vous avez la possibilité de le modifier en un cadre de marche articulé ou non.

Pour ajuster le cadre de marche afin qu'il soit articulé (Fig. 3):

- Retirer les clips de verrouillage ① des trous des tubes latéraux ② sur l'avant du cadre de marche.
- Placez les clips de verrouillage ① dans les trous du tube supérieur ③.

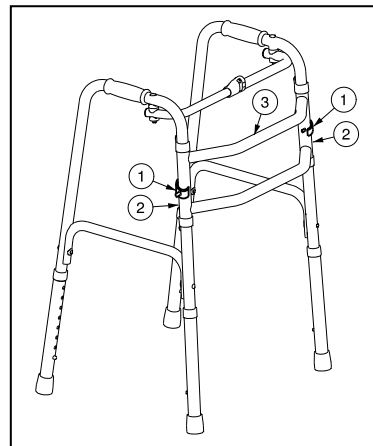


- Maintenant, les cadres latéraux du cadre de marche peuvent être articulés (0° - 3,5°). L'avantage est que ceux-ci donnent toujours un support stable.

Fig. 3 – Cadre de marche articulé

Ajustez le cadre de marche afin qu'il soit non articulé (Fig.4):

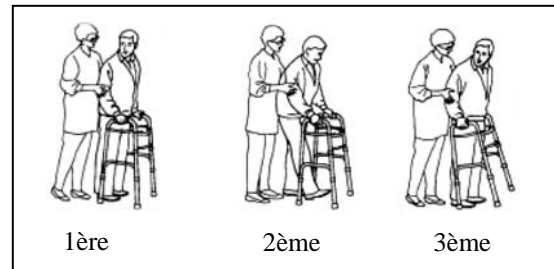
Fig. 4 – Cadre de marche non articulé



- Retirer les clips verrouillage ① des trous supérieurs ③.
- Remplacez les clips de verrouillage ① dans les trous des tubes latéraux ② sur le devant du cadre de marche.

- Maintenant, les cadres latéraux du cadre ne peuvent plus être articulés (0°).

11. Marcher avec un cadre de marche non articulé



1ère étape:

Alignez le milieu de vos pieds avec les pieds arrières du cadre de marche.

2ème étape:

Déplacez le cadre de marche vers l'avant (assurez-vous que les 4 pieds du cadre de marche sont posés au sol).

3ème étape:

Avancez prudemment pas à pas.

12. Marcher avec un cadre de marche articulé (seulement pour le Lyna II)

1ère étape:

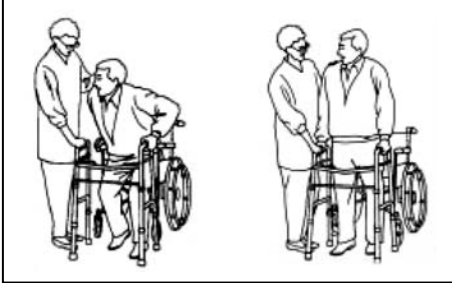
Alignez le milieu de vos pieds avec les pieds arrière du cadre de marche.

2ème étape:

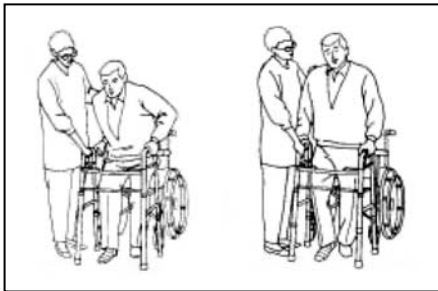
Faites glisser un cadre de côté avec la poignée avant. Ensuite, glissez l'autre côté latéral avec la poignée avant également.

13. Transfert du fauteuil roulant vers le cadre de marche Lyna II

Assurez-vous que les freins du fauteuil roulant soient bloqués. Levez vous en vous aidant des accoudoirs, une main à la fois (Demandez de l'aide à une tierce personne si nécessaire).



(avec un(e) des deux pieds/jambes blessé(e))
Assurez-vous que les freins du fauteuil roulant soient bloqués. Assurez-vous que les freins du fauteuil roulant soient bloqués. Levez vous en vous aidant des accoudoirs, en commençant par la main opposée à la jambe blessée, puis continuer avec l'autre main.



14. Transfert du fauteuil roulant vers le cadre de marche Lindsey

Le cadre de marche Lindsey a des poignées moins élevées afin de les attraper plus facilement en se levant du lit, fauteuils...
Assurez-vous que les freins du fauteuil roulant, lit, ... soient bloqués. Levez vous en vous aidant des accoudoirs, et transférez la personne soigneusement, d'une part, en saisissant la poignée la moins haute.

15. Consignes de sécurité

- Vérifiez que le cadre de marche soit dans un parfait état avant de l'utiliser. S'il y a des pièces endommagées / manquantes changez les immédiatement par un technicien qualifié.
- Ne pas s'asseoir sur le cadre de marche - Risque de basculement ou risque de lésions.
- Utilisez uniquement les poignées de support.

- Risque de brûlures – Soyez prudent lorsque vous conduisez dans des environnements chauds ou froids de disposer d'assez de temps et lors des contacts.
- Vérifiez que la goupille de blocage des poignées soit serrée avant d'utiliser le cadre de marche.
- Vérifiez que la sécurité pour le pliage/dépliage involontaire du cadre de marche soit bien enclenchée.
- Ne commencez à avancer que lorsque vous êtes bien droit et que vous avez saisi les poignées avec vos deux mains.
- Ne saisissez pas les poignées si vous avez les mains humides - elles pourraient glisser et vous faire perdre prise.
- Lorsque vous sentez votre corps fatigué, trouvez un endroit pour vous reposer.
- **Le produit supporte une charge maximale de 130 kg.**
- Lors de l'utilisation à l'extérieur, empruntez uniquement des chemins plats et évitez les bordures hautes. Évitez les bordures et / ou les trous profonds. Cherchez un endroit où la bordure est surbaissée.
- Évitez d'aller sur les pavés ou sur des surfaces de ce type - Vous pourriez perdre le contrôle de votre cadre de marche.
- Attention aux: tapis, jouets, rideaux, animaux, fissures dans le sol, sols humides ou glissants.
- Ne vous promenez pas avec votre cadre de marche au milieu du flot du trafic. Empruntez des trottoirs plats.
- Éviter les routes, les pentes avec une inclinaison très raide (les angles maximaux sont mentionnés dans les détails techniques).
- N'utilisez pas votre cadre de marche dans les escaliers/escalators.
- Suivez les instructions pour les soins et le contrôle. Le fabricant n'offre aucune garantie si le siège si celui-ci n'est pas utilisé conformément à sa destination et si les contrôles mentionnés dans le mode d'emploi n'ont pas été effectués.

16. Maintenance, Inspection, Entretien

Le mode d'emploi des cadres de marche se trouve sur le site Internet de Vermeiren, www.vermeiren.fr, www.vermeiren.be.

INSTRUCTIE HANDLEIDING

Loopkader Lyna II, Lindsey

1. Technische gegevens

⚠ WAARSCHUWING: Risico bij onveilige instellingen - Gebruik enkel de instellingen beschreven in deze handleiding.

Merk	Vermeiren
Adres	Vermeirenplein 1 / 15 B-2920 Kalmthout
Type	Loopkader
Model	Lyna II
Totale breedte	540 mm
Totale lengte	470 mm
Maximum hoogte	960 mm
Minimum hoogte	780 mm
Breedte (opgevouwen)	120 mm
Lengte (opgevouwen)	510 mm
Hoogte (opgevouwen)	780 mm - 955 mm
Afstand tussen de handgrepen	495 mm
Gewicht	2,65 kg
Max. helling voorwaarts	10°
Max. helling achterwaarts	5°
Max. helling zijwaarts	8°
Maximum gebruikersgewicht	max. 130 kg
Draaicirkel	1180 mm
Maximum hoek van de handgrepen	0° (niet articulerend) 3,5° (articulerend)
Opslag temperatuur	+5°C - +41°C
We behouden ons het recht voor om technische wijzigingen te introduceren. Meettolerantie ± 15 mm / 1,5 kg / °	

Merk	Vermeiren
Adres	Vermeirenplein 1 / 15 B-2920 Kalmthout
Type	Loopkader
Model	Lindsey
Totale breedte	590 mm
Totale lengte	540 mm
Maximum hoogte	970 mm (handgreep 1) 710 mm (handgreep 2)
Minimum hoogte	790 mm (handgreep 1) 535 mm (handgreep 2)
Breedte (opgevouwen)	120 mm
Lengte (opgevouwen)	605 mm
Hoogte (opgevouwen)	790 mm - 970 mm
Afstand tussen de handgrepen	475 mm
Gewicht	2,75 kg
Max. helling voorwaarts	10°
Max. helling achterwaarts	5°
Max. helling zijwaarts	8°
Maximum gebruikersgewicht	max. 130 kg
Draaicirkel	1510 mm
Maximum hoek van de handgrepen	0° (niet articulerend)
Opslag temperatuur	+5°C - +41°C
We behouden ons het recht voor om technische wijzigingen te introduceren. Meettolerantie ± 15 mm / 1,5 kg / °	

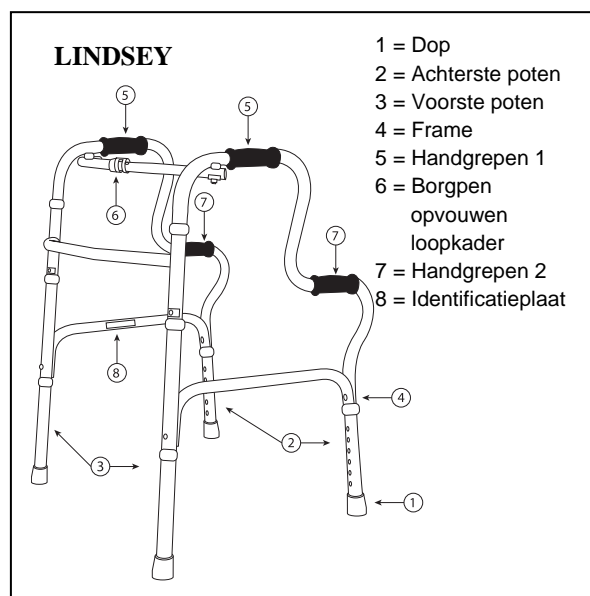
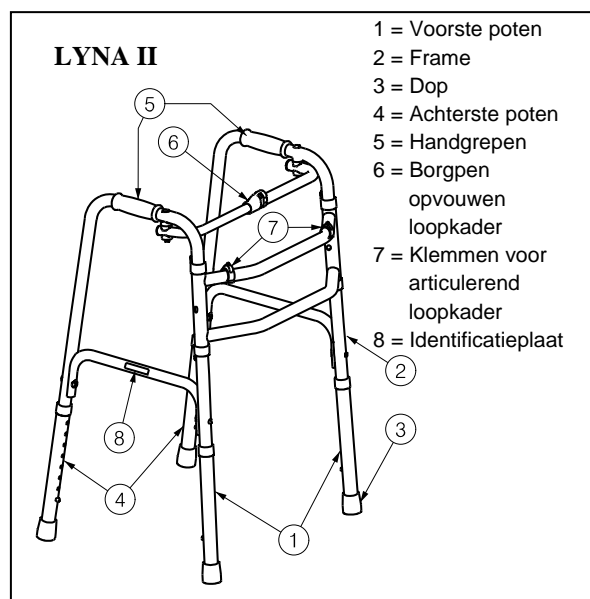
We willen U danken voor het vertrouwen dat U in de producten van **VERMEIREN** stelt. Voor U het loopkader gebruikt, dient U de handleiding aandachtig te lezen zodat U vertrouwd raakt met het product.

Als U nog vragen hebt, neemt U best contact op met Uw vakhandelaar.

Om een servicepunt of vakhandelaar in Uw buurt te vinden, neemt U contact op met de dichtstbijzijnde Vermeiren faciliteit. Een lijst van de Vermeiren faciliteiten zijn terug te vinden op de laatste bladzijde.

Mensen met een visuele beperking kunnen contact opnemen met de vakhandelaar voor de gebruikersinstructies.

2. Onderdelen



3. Gebruikte symbolen



Maximum gewicht



CE conformiteit



Type aanduiding

4. Controle bij ontvangst

Pak het product uit en controleer of de levering volledig is. In het pakket zitten:

- Loopkader met 4 doppen (gemonteerd)
- Hoogte verstelbare handgrepen
- Handleiding

Controleer de zending zorgvuldig op transportschade. Wanneer U vaststelt dat het product na de zending toch een defect vertoont, moet U het volgende doen:

- Neem contact op met de transporteur.
- Laat een verslag opmaken van de schade
- Neem direct contact op met de vakhandelaar

5. Gebruik

- ⚠ **WAARSCHUWING: Gevaar op vallen - Gebruik het loopkader niet als Uw armen zwak functioneren of bij een slecht evenwicht.**

Door met de bovenste ledematen of de romp op het loopkader te steunen of deze te verschuiven, compenseert het loopkader de verminderde belastbaarheid of de kracht van de onderste ledematen. Bovendien zorgt deze voor een betere stabiliteit, steun en veiligheid bij het gaan.

Het loopkader mag niet worden gebruikt door mensen met een duidelijk verzwakte hand-/arm functie of met duidelijke evenwichtsstoornissen.

Het loopkader kan zowel binnen als buiten gebruikt worden.

Het loopkader mag alleen worden gebruikt op een vlakke ondergrond waarbij alle vier de doppen de grond raken. Gebruik het loopkader niet op een rotsachtig terrein of steile hellingen (zie technische gegevens: max. helling) anders kan het loopkader onstabiel worden.

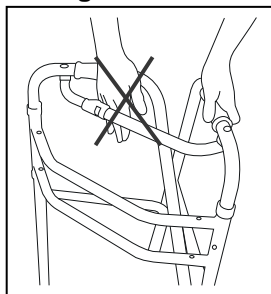
Het product mag evenmin worden gebruikt voor het transporteren van personen en/of goederen.

6. Vóór gebruik

- Verwijder alle verpakking alvorens U het loopkader voor de eerste keer gebruikt.
- Vouw het loopkader open.
- Verstel de handgrepen in de gewenste hoogte.

7. Op- en openvouwen van het loopkader (Fig. 1)

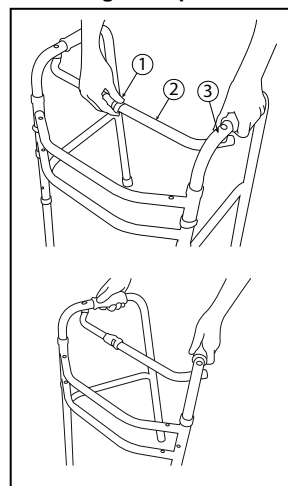
- ⚠ **WAARSCHUWING: Gevaar voor letsel - Druk niet op de borgpen (① in Fig. 1) tenzij U het loopkader wil opvouwen.**
- ⚠ **WAARSCHUWING: Gevaar voor letsel - Controleer dat het loopkader volledig is opgevouwen alvorens het te gebruiken.**



- ⚠ **WAARSCHUWING: Risico op klemmen - Houd Uw vingers, gespen en kledij uit de buurt van de knelpunten zones.**

Om het loopkader in de auto of het vliegtuig te vervoeren kan U het loopkader opvouwen.

Fig. 1 – Opvouwen/openvouwen loopkader



1. Opvouwen loopkader

- Druk op de borgpen ① in het midden van bar ②.
- Neem de handgrepen vast.
- Vouw de zijframes ③ één voor één naar binnen.

2. Openvouwen loopkader

- Neem de handgrepen vast.
- Vouw de zijframes ③ één voor één naar buiten tot deze goed gepositioneerd zijn.
- Controleer dat de zijframes ③ goed vastgemaakt zijn en niet meer naar binnen kunnen bewegen, alvorens het loopkader te gebruiken.

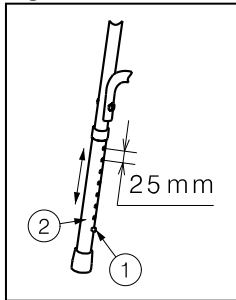
8. Hoogteverstelling handgrepen (Fig. 2)

- ⚠ **VOORZICHTIG: Gevaar op vallen - Maak de handgrepen voor gebruik steeds stevig vast. Controleer dat de borgpen ① goed gefixeerd is in een boring.**
- ⚠ **VOORZICHTIG: Gevaar op vallen - Zet de handgrepen nooit boven de maximum verstelhoogte, anders wordt het loopkader onstabiel.**

⚠ VOORZICHTIG: Kantelgevaar - Plaats de vier poten op dezelfde hoogte.

Voor U het loopkader gaat gebruiken moet U deze eerst op de juiste hoogte instellen.

Fig. 2 – Verstellen van de handgrepen



De handgrepen kunnen met volgende instructies worden vermeld:

- Duw op de borgpen ①.
- Beweeg de poot ② tot de gewenste hoogte (8 verschillende posities: stappen van 25 mm).

- Controleer dat de borgpen ① is terug geklikt en goed gefixeerd is in een boring.
- Verstel de andere poten met dezelfde instructies.
- Controleer dat alle poten in dezelfde positie geplaatst zijn. Als U recht staat, moeten de handgrepen ter hoogte van Uw pols komen. Laat hierbij de armen losjes hangen. Ellebogen moeten worden gebogen bij 20° tot 30°.

9. Dragen van het loopkader

De beste manier om het loopkader te dragen is om het loopkader met de handgrepen vast te nemen wanneer opgevouwen of opgevouwen.

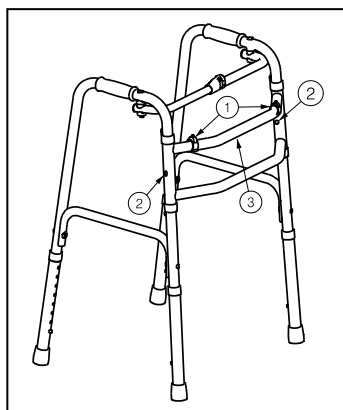
10. Veranderen naar articulerend loopkader (Fig. 3 en 4)

Voor het Lyna II loopkader is er de mogelijkheid om dit te veranderen van een articulerend naar een niet-articulerend loopkader.

Het loopkader naar een articulerend loopkader veranderen (Fig. 3):

Fig. 3 – Articulerend loopkader

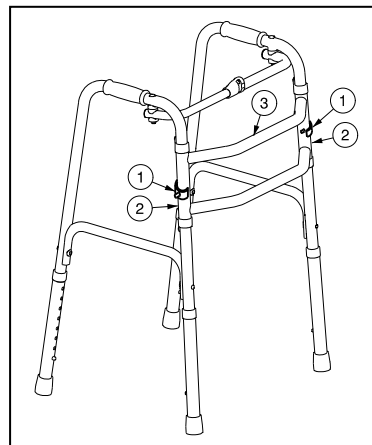
- Verwijder de borgklemmen ① uit de boringen van de zijbuizen ② aan de voorzijde van het loopkader.
- Plaats de borgklemmen ① in de boringen van de bovenbuis ③.



- Nu kunnen de zijframes van het loopkader articuleren (0° - 3,5°). Het voordeel is dat dit U altijd een stabiele ondersteuning geeft.

Het loopkader naar een niet-articulerend loopkader veranderen (Fig. 4):

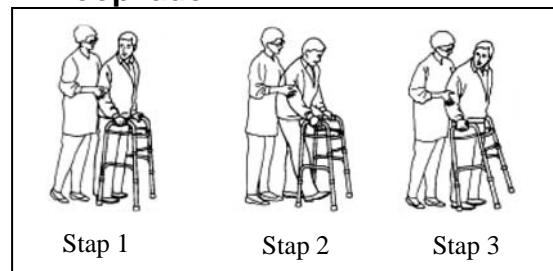
Fig. 4 – Niet-articulerend loopkader



- Verwijder de borgklemmen ① uit de boringen van de bovenbuis ③.
- Plaats de borgklemmen ① in de boringen van de zijbuizen ② aan de voorzijde van het loopkader.

- Nu kunnen de zijframes van het loopkader niet meer articuleren (0°).

11. Wandelen met niet-articulerend loopkader



Stap 1:

Positioneer het midden van Uw voeten met de achterste poten van het loopkader.

Stap 2:

Hef het loopkader op en beweeg deze voorwaarts totdat alle 4 de poten de grond weer raken.

Stap 3:

Wandel voorzichtig, stap voor stap, voorwaarts.

12. Wandelen met articulerend loopkader (enkel voor Lyna II loopkader)

Stap 1:

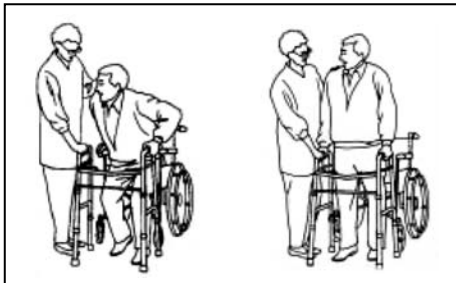
Positioneer het midden van Uw voeten met de achterste poten van het loopkader.

Stap 2:

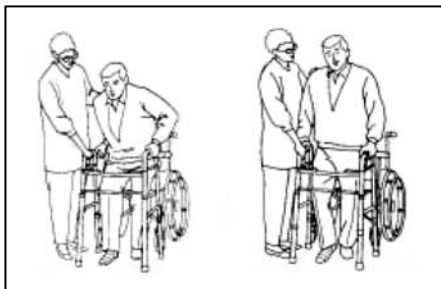
Schuif één zijframe met de handgreep naar voren. Daarna schuift U het andere zijframe met de handgreep naar voren.

13. Transfer van rolstoel naar loopkader Lyna II

Verzeker Uzelf dat de remmen van de rolstoel aanstaan. Hef Uw lichaam op door Uzelf af te duwen vanaf de armsteunen. Transfereer langzaam, hand per hand, Uw gehele lichaam naar Uw loopkader (vraag assistentie indien U onzeker bent).



(met letsel aan rechterbeen of -voet)
Verzeker Uzelf dat de remmen van de rolstoel aanstaan. Hef Uw lichaam op door Uzelf af te duwen vanaf de armsteunen en transfereer Uw linkerhand eerst, gevolgd door Uw rechterhand (Indien het letsel zich aan Uw linkerbeen of -voet bevindt, transfereer eerst Uw rechterhand, gevolgd door Uw linkerhand).



14. Transfer van rolstoel naar loopkader Lindsey

Het loopkader Lindsey heeft ook minder hoge handgrepen om gemakkelijker en veiliger uit een rolstoel, bed, ... te kunnen opstaan . Verzeker Uzelf dat de remmen van de rolstoel, bed,... aanstaan. Hef Uw lichaam op door Uzelf af te duwen vanaf de armsteunen. Transfereer langzaam, hand per hand, neem eerst de minder hoge handgrepen van het loopkader vast en vervolgens de hogere handgrepen.

15. Veiligheidsinstructies

- Controleer dat het loopkader in een perfecte staat is alvorens het te gebruiken. Indien er beschadigde/ontbrekende onderdelen zijn, moeten deze onmiddellijk door een bevoegd technicus veranderd worden.
- Ga niet op het loopkader zitten - Kantelgevaar of gevaar voor letsels.
- Gebruik enkel de handgrepen als ondersteuning.

- Gevaar voor brandwonden – Wees voorzichtig bij het gebruik in extreem warme of koude omgevingen (zon, extreme kou, sauna's, enz.) voor een bepaalde tijd en bij het aanraken.
- Controleer voor ieder gebruik of de borgpennen van de handgrepen goed zijn vastgemaakt.
- Controleer of de beveiliging tegen ongewild opvouwen/openvouwen is geblokkeerd.
- Zet pas de eerste stappen wanneer U goed rechtstaat en met beide handen de handgrepen stevig hebt vastgenomen.
- De handgrepen niet met natte handen vastnemen. Anders kan U wegglijden en het evenwicht verliezen.
- Wanneer U bij het stappen vaststelt dat U moe wordt, kijk dat U een plaats om te rusten kan vinden.
- **De toelaatbare belasting voor Uw loopkader bedraagt 130 kg.**
- Wanneer U het loopkader buitenshuis gebruikt, mag U alleen op vlakke wegen stappen en moet U hoge boordstenen vermijden. Vermijd stoepranden en / of diepe putten. Zoek een plaats waar de boordstenen zijn afgeschuind.
- Vermijd kasseiwegen of gelijkaardige wegen. Anders kunt U de controle over het loopkader verliezen.
- Opgelet voor: losse tapijten, speelgoed, gordijnen, huisdieren, gaten of openingen in de vloer, vloeistoffen of plassen water.
- Begeef U met Uw loopkader niet in het wegverkeer. Gebruik effen voetpaden.
- Vermijd wegen, hellingen met een steile helling (de maximale hoeken zijn vermeld in de technische details).
- Gebruik het loopkader niet op trappen, roltrappen.
- Oefen wanneer U wandelt op ondergronden met een helling, natte of gladde ondergronden.
- Volg de instructies voor verzorging en controles. De fabrikant is niet aansprakelijk voor schade die werd veroorzaakt door niet juiste controles / verzorging.

16. Onderhoud, Inspectie, Schoonmaken

Voor de onderhoudshandleiding van het loopkader kan U de website van Vermeiren raadplegen: www.vermeiren.be, www.vermeiren.nl.

GEBRAUCHSANWEISUNG

Gehgestell Lyna II, Lindsey

1. Technische Daten

⚠ WARNUNG: Nutzen Sie das Produkt nur gemäß den technischen Vor- und Angaben dieser Gebrauchsanweisung.

Hersteller	Vermeiren
Adresse	Vermeirenplein 1/15 B-2920 Kalmthout
Typ	Gehgestell
Modell	Lyna II
Gesamtbreite	540 mm
Gesamtlänge	470 mm
Maximale Höhe	960 mm
Mindesthöhe	780 mm
Breite (zusammengeklappt)	120 mm
Länge (zusammengeklappt)	510 mm
Höhe (zusammengeklappt)	780 mm - 955 mm
Abstand zwischen Handgriffe	495 mm
Gewicht	2,65 kg
Max. Neigung nach vorn	10°
Max. Neigung rückwärts	5°
Max. Neigung seitwärts	8°
Max. zulässiges Patientengewicht	max. 130 kg
Wendekreis	1180 mm
Max. Winkel Handgriffe	0° (fest) 3,5° (reziprok)
Temperaturbereich für Lagerung	+5°C - +41°C
Technische Änderungen vorbehalten. Maßtoleranz ± 15 mm / 1,5 kg / ° .	

Hersteller	Vermeiren
Adresse	Vermeirenplein 1/15 B-2920 Kalmthout
Typ	Gehgestell
Modell	Lindsey
Gesamtbreite	590 mm
Gesamtlänge	540 mm
Maximale Höhe	970 mm (Handgriffe 1) 710 mm (Handgriffe 2)
Mindesthöhe	790 mm (Handgriffe 1) 535 mm (Handgriffe 2)
Breite (zusammengeklappt)	120 mm
Länge (zusammengeklappt)	605 mm
Höhe (zusammengeklappt)	790 mm - 970 mm
Abstand zwischen Handgriffe	475 mm
Gewicht	2,75 kg
Max. Neigung nach vorn	10°
Max. Neigung rückwärts	5°
Max. Neigung seitwärts	8°
Max. zulässiges Patientengewicht	max. 130 kg
Wendekreis	1510 mm
Max. Winkel Handgriffe	0° (fest)
Temperaturbereich für Lagerung	+5°C - +41°C
Technische Änderungen vorbehalten. Maßtoleranz ± 15 mm / 1,5 kg / ° .	

Zunächst möchten wir uns für das Vertrauen bedanken, das Sie in uns gesetzt haben, indem Sie sich für ein **VERMEIREN**-Produkt entschieden haben.

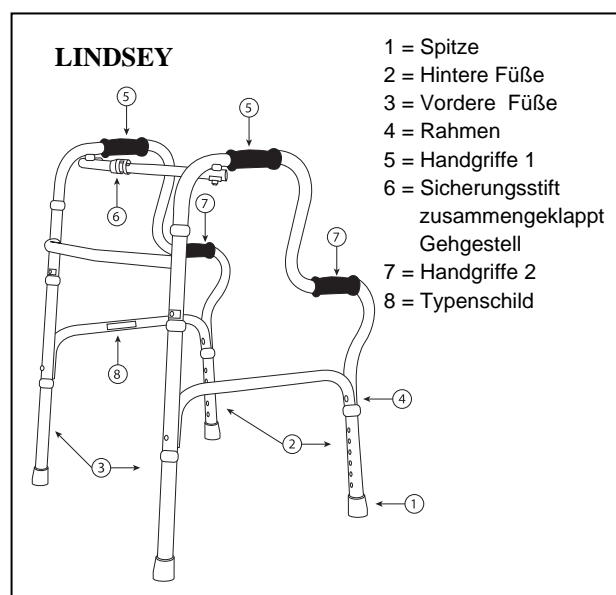
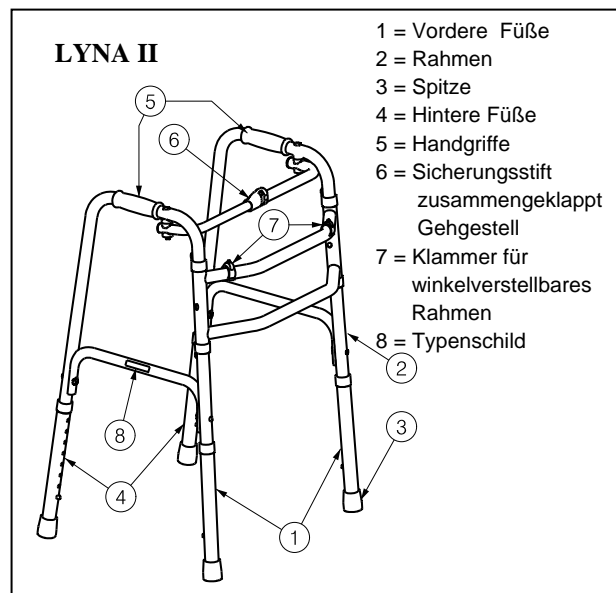
Lesen Sie vor dem Gebrauch des Gehgestelles gründlich die Gebrauchsanweisung; sie soll Sie im Umgang mit diesem Produkt vertraut machen.

Sollten Sie weitere Fragen haben, wenden Sie sich bitte an Ihren Fachhändler.

Um einen Fachhändler in Ihrer Nähe zu finden, stehen Ihnen unsere Niederlassungen gerne zur Verfügung. Eine Auflistung aller Vermeiren Niederlassungen finden Sie auf der letzten Seite dieser Gebrauchsanweisung.

Sehbehinderte können sich zur Erläuterung der Bedienungsanleitung an den Händler wenden.

2. Bauteile



3. Zeichenerklärung



Max. Gewicht



CE-Konformität



Typenbezeichnung

4. Prüfungen nach der Lieferung

Packen Sie Ihr Produkt aus und überprüfen Sie, ob die Lieferung vollständig ist. Zum Lieferumfang gehören:

- Gehgestell mit 4 Füßen (vormontiert)
- Höhenverstellbare Handgriffe
- Gebrauchsanweisung

Prüfen Sie die Sendung sorgfältig auf Transportschäden. Sollten Sie feststellen, dass dieses Produkt oder die Sendung wider Erwarten einen Fehler aufweist, so verfahren Sie wie folgt:

- Wenden Sie sich an den Frachtführer.
- Lassen Sie den Schaden protokollieren,
- Informieren Sie Ihren Fachhändler unverzüglich.

5. Zweckbestimmung

⚠️ WARNUNG: Sturzrisiko - Nutzen Sie Ihr Gehgestell nicht, bei geschwächten Armen oder starken Gleichgewichtsstörungen.

Das Gehgestell dient zum Ausgleich der verminderten Belastbarkeit oder Leistungsfähigkeit der unteren Extremitäten durch Krafteinsatz, bzw. Abstützung der oberen Extremitäten. Das Gehgestell verbessert Stabilität, Unterstützung und Sicherheit beim aufrechten Gehen.

Nicht einzusetzen ist das Gehgestell für Personen mit deutlichen Einschränkungen der Hand-/Armfunktionen oder mit ausgeprägten Balancestörungen.

Das Gehgestell kann im Innen- und Außenbereich verwendet werden. Das Gehgestell darf nur auf Flächen verwendet werden, bei denen alle vier Füße Bodenkontakt haben. Nutzen Sie das Gehgestell nicht auf unebenen Böden oder starken Gefällen/Steigungen. (siehe technische Details: max. Neigung), da sonst Kippgefahr besteht. Das Gehgestell dient nicht dem Personentransport oder dem Transport von Gegenständen.

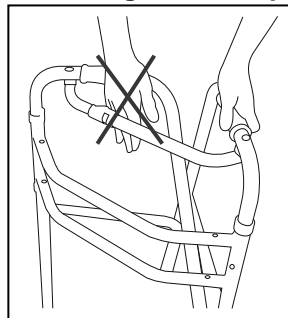
6. Vor Gebrauch

- Entfernen Sie alle Verpackungen und Folien, bevor Sie das Gehgestell nutzen.
- Klappen Sie das Gehgestell auf.
- Bringen Sie die Handgriffe in die gewünschte Höhe.

7. Zu- und Aufklappen des Gehgestells (Abb. 1)

⚠️ WARNUNG: Verletzungsgefahr - Drücken Sie während der Nutzung des Gehgestells niemals den Entriegelungsknopf (① Abb. 1) für das Falten.

⚠️ WARNUNG: Verletzungsgefahr - Prüfen Sie vor der Nutzung, dass das Gehgestell komplett aufgeklappt ist.



⚠️ WARNUNG: Einklemmgefahr - Halten Sie Finger, Schnallen und Kleidung von Stellen mit Einklemmgefahr fern.

Für den transport im Auto oder Flugzeug lässt sich das Gehgestell zusammenfallen.

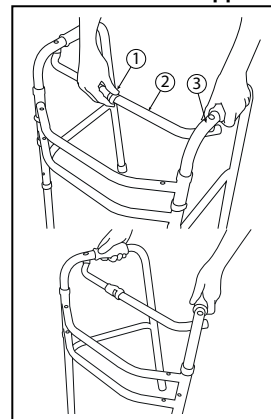
1. Zusammenfallen des Gehgestells

- Drücken Sie den Entriegelungsknopf ① in der Mitte der oberen Querstange ②.
- Ergreifen Sie die Handgriffe.
- Falten Sie die seitlichen Rahmen ③ nacheinander ein.

2. Aufklappen des Gehgestell

- Ergreifen Sie die Handgriffe.
- Falten Sie die seitlichen Rahmen ③ nacheinander auseinander bis die Arretierung hörbar einrastet.
- Prüfen Sie vor der Nutzung, dass die seitlichen Rahmen ③ arretiert sind und nicht selbständig nach innen klappen.

Abb. 1 – Zusammen- / Aufklappen des Gehgestells



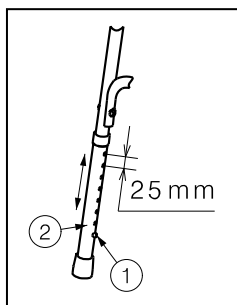
8. Höheneinstellung Handgriffe (Abb. 2)

⚠️ VORSICHT: Sturzgefahr - Sorgen Sie vor der Verwendung des Gehgestells für eine feste Fixierung der Handgriffe. Prüfen Sie, dass der Federpin ① sichtbar arretiert ist.

- ⚠ **VORSICHT: Sturzgefahr - Beachten Sie die maximale Höheneinstellung Ihrer Handgriffe, andernfalls ist Ihr Gehgestell nicht mehr stabil.**
- ⚠ **VORSICHT: Kippgefahr - Stellen Sie alle 4 Füße immer in der gleichen Höhe ein.**

Ehe Sie das Gehgestell verwenden, müssen Sie die Handgriffe in die richtige Höhe einstellen.

Abb. 2 – Einstellung der Handgriffe



Die Handgriffe lassen sich in folgenden Schritten auf die richtige Höhe einstellen:

- Drücken Sie auf den Federknopf ①.
- Ziehen Sie den Fuß ② in die gewünschte Höhe (8 verschiedene Positionen in 25mm-Schritten).
- Prüfen Sie, dass der Federknopf ① wieder sichtbar einrastet.
- Stellen Sie entsprechend alle anderen Füße ein.
- Prüfen Sie, dass alle 4 Füße in gleicher Höhe eingestellt sind (Bei aufrechtem Stehen sollten die Handgriffe in Höhe Ihrer Handgelenke stehen). Lassen Sie dazu Ihre Arme locker nach unten hängen. Die Ellenbogen sollten leicht gebeugt sein (ca. 20°-30°).

9. Transport Gehgestell

Die einfachste Methode das Gehgestell zu transportieren ist, es an den Handgriffen zu ergreifen und anzuheben (gefaltet oder entfaltet).

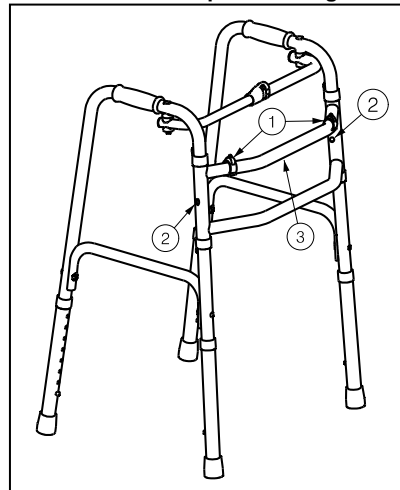
10. Ändern in reziprokes Gehgestell (Abb. 3 und 4)

Das Modell Lyna II ist als starres oder reziprokes Gehgestell nutzbar.

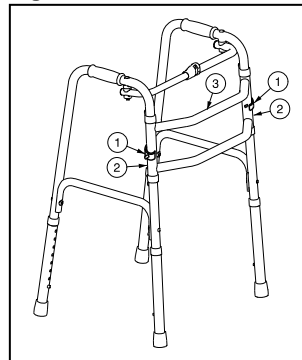
Einstellen zum reziproken Gehgestell (Abb. 3):

- Entfernen Sie die Arretierungsclips ① aus den vorderen seitlichen Rohren ②.
- Setzen Sie die Arretierungsclips ① danach in die Löcher der oberen Verbindungsstange ③.
- Nun lassen sich die Seitenrahmen unabhängig voneinander nach vorne bewegen (leichtes anheben bis zu 3,5°) und geben Ihnen damit auch während der Vorwärtsbewegung dauerhaft Stabilität.

Abb. 3 – Reziprokes Gehgestell



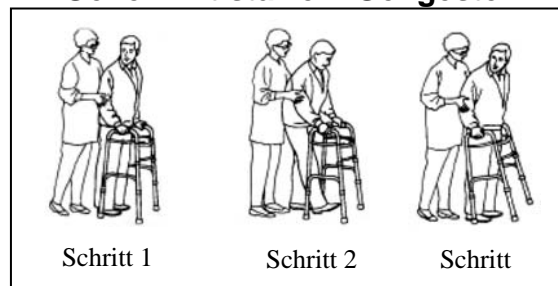
Einstellen zum starren Gehgestell (Abb. 4):
Fig. 4 – Festes Rahmen



- Entfernen Sie die Arretierungsclips ① von der oberen Verbindungsstange ③.
- Setzen Sie die Arretierungs-clips ① in die Lochungen der vorderen, seitlichen Rohre ② ein.

- Nun lassen sich die seitlichen Rahmenrohre nicht mehr unabhängig bewegen (0°).

11. Gehen mit starrem Gehgestell



Schritt 1:

Stellen Sie Ihre Füße in Höhe der hinteren Gehgestellfüße ab.

Schritt 2:

Heben Sie das Gehgestell an und stellen es ein Stück weiter nach vorne. Beachten Sie, dass alle vier Füße einen sicheren Stand haben.

Schritt 3:

Gehen sie vorsichtig nach vorne, bis Sie wieder mittig in der Höhe der hinteren Standfüße des Gehgestells stehen.

12. Gehen mit reziprokem (nur Modell Lyna II)

Schritt 1:

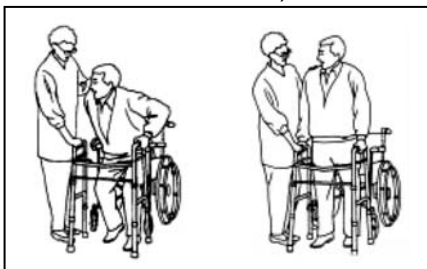
Stellen sie sich mittig zwischen die hinteren Füße des Gehgestells.

Schritt 2:

Heben Sie eine Seite des Gehgestells an den Handgriffen leicht an und bewegen Sie diese Seite nach vorne.

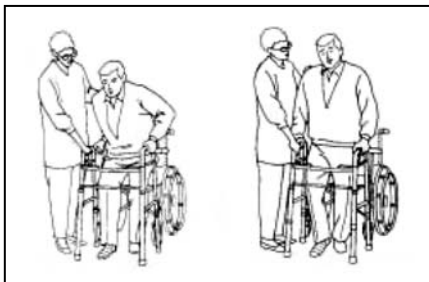
13. Vom Rollstuhl zum Gehgestell Lyna II

Stellen sie sicher, dass die Räder des Rollstuhls arretiert sind. Erheben Sie sich aus dem Rollstuhl indem Sie sich auf den Armlehnen abstützen. Ergreifen sie nacheinander die einzelnen Handgriffe des Gehgestells und ziehen sich endgültig in die Standposition. (Fragen Sie nach Hilfe, wenn Sie unsicher sind.)



(Bei eingeschränkter Belastbarkeit des rechten Beines):

Stellen sie sicher, dass die Räder des Rollstuhls arretiert sind. Erheben Sie sich aus dem Rollstuhl indem Sie sich auf den Armlehnen abstützen. Ergreifen sie zunächst mit der linken Hand die Grifffläche des Gehgestells, anschließend mit der rechten Hand. (Bei eingeschränkter Belastbarkeit des linken Beines, greifen sie zunächst mit der rechten Hand, anschließend mit der linken Hand.)



14. Vom Rollstuhl zum Gehgestell Lindsey

Das Gehgestell Lindsey besitzt zwei zusätzliche, tiefer angebrachte Handgriffe, um einfacher aus einem Rollstuhl, einem Bett, etc., umzusteigen. Stellen sie sicher, dass die Räder des Rollstuhls, des Betts, ... arretiert sind. Für ein einfacheres Aufstehen, stützen Sie Ihren Körper durch Aufsetzen Ihrer Hände auf den unteren Griffen (auch einzeln möglich) und greifen danach um auf die oberen Handgriffe.

15. Sicherheitsanweisungen

- Prüfen Sie, dass das Gehgestell in einwandfreiem Zustand ist, bevor Sie es nutzen.

- Bei Schäden oder fehlenden Teilen ist sofort ein autorisierter Fachhändler zu informieren.
- Setzen Sie sich nicht auf das Gehgestell - Kipp-, Verletzungsgefahr.
- Nutzen Sie nur die Handgriffe um das Gehgestell zu ergreifen.
- Verbrennungsgefahr: Seien Sie vorsichtig, wenn Sie das Gehgestell nach längerem Gebrauch in heißer oder kalter Umgebung (direkte Sonne, extreme Kälte, Sauna usw.) berühren.
- Stellen Sie für die Nutzung sicher, dass die Federknöpfe von der Höheneinstellung fest montiert wurden.
- Überzeugen Sie sich, dass der Arretierungspin gegen unbeabsichtigtes Zusammenfallen des Gehgestells immer eingerastet ist.
- Beginnen Sie erst mit dem Laufen, wenn Sie aufrecht stehen und beide Hände fest die Handgriffe fest ergreifen.
- Fassen Sie die Handgriffe nicht mit nassen Händen an. Sie könnten abrutschen und den Halt verlieren.
- Stellen Sie während des Gehens Ermüdungserscheinungen fest, unterbrechen Sie Ihren Gang und ruhen Sie sich aus.
- **Das Produkt darf mit max. 130 kg belastet werden.**
- Bei der Nutzung draußen begehen Sie nur ebene Wege und vermeiden Sie hohe Bordsteinkanten oder Vertiefungen. Bevorzugen Sie abgesenkte Bordsteinkanten.
- Vermeiden Sie das Gehen auf Kopfsteinpflaster oder ähnlichen Oberflächen Sie könnten die Gewalt über Ihr Gehgestell verlieren.
- Achtung! Bitte vermeiden Sie: weiche Teppiche, Spielzeug, Vorhänge, Tiere, schadhafte Untergründe, Flüssigkeiten oder Pfützen.
- Begeben Sie sich mit Ihrem Gehgestell nicht in den fließenden Verkehr. Benutzen Sie ebene Fußwege.
- Vermeiden Sie Wege mit starken Steigungen/Gefällen (max. Winkel sind in den technischen Angaben zu finden).
- Nutzen Sie das Gehgestell nicht auf Treppen und Rolltreppen.
- Seien Sie besonders vorsichtig bei Begehung von geneigten, feuchten oder rutschigen Wegen.
- Achten Sie auf die Pflege- und Wartungshinweise. Bei Schäden durch mangelnde Wartung/Pflege haftet der Hersteller nicht.

16. Wartung, Inspektion, Pflege

Hinweise zur Wartung von Gehgestellen entnehmen Sie bitte der Website von Vermeiren: www.vermeiren.de, www.vermeiren.at, www.vermeiren.ch.

MANUALE DI ISTRUZIONI

Deambulatori Lyna II, Lindsey

1. Dati tecnici

⚠ AVVERTENZA: Pericolo di limiti non sicuri. Utilizzare solo nei limiti descritti nel presente manuale.

Produttore	Vermeiren
Indirizzo	Vermeirenplein 1 / 15 B-2920 Kalmthout
Tipo	Deambulatori
Modello	Lyna II
Larghezza totale	540 mm
Lunghezza totale	470 mm
Altezza massima	960 mm
Altezza minima	780 mm
Larghezza (ripiegata)	120 mm
Lunghezza (ripiegata)	510 mm
Altezza (ripiegata)	780 mm - 955 mm
Distanza tra impugnature	495 mm
Peso	2,65 kg
Pendenza massima in avanti	10°
Pendenza massima indietro	5°
Pendenza massima laterale	8°
Peso massimo dell' occupante	max. 130 kg
Diametro sterzata	1380 mm
Massima angolazione dell'impugnatura	0° (fisso) 3,5° (articolato)
Temperatura conservazione	+5°C - +41°C
La casa produttrice si riserva il diritto di apportare modifiche tecniche. Tolleranza misurazioni ± 15 mm / 1,5 kg / °.	

Produttore	Vermeiren
Indirizzo	Vermeirenplein 1 / 15 B-2920 Kalmthout
Tipo	Deambulatori
Modello	Lindsey
Larghezza totale	590 mm
Lunghezza totale	540 mm
Altezza massima	970 mm (Impugnatura 1) 710 mm (Impugnatura 2)
Altezza minima	790 mm (Impugnatura 1) 535 mm (Impugnatura 2)
Larghezza (ripiegata)	120 mm
Lunghezza (ripiegata)	605 mm
Altezza (ripiegata)	790 mm - 970 mm
Distanza tra impugnature	475 mm
Peso	2,75 kg
Pendenza massima in avanti	10°
Pendenza massima indietro	5°
Pendenza massima laterale	8°
Peso massimo dell' occupante	max. 130 kg
Diametro sterzata	1620 mm
Massima angolazione dell'impugnatura	0° (fisso)
Temperatura conservazione	+5°C - +41°C
La casa produttrice si riserva il diritto di apportare modifiche tecniche. Tolleranza misurazioni ± 15 mm / 1,5 kg / °.	

Ringraziamo per la fiducia accordataci con l'acquisto di un articolo di nostra produzione.

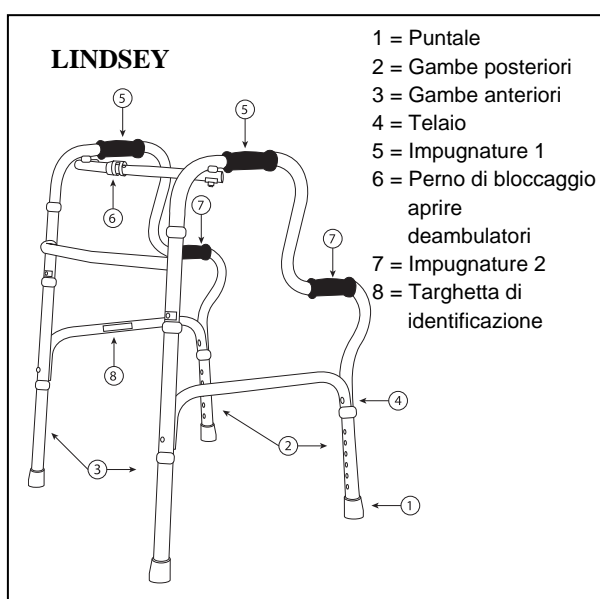
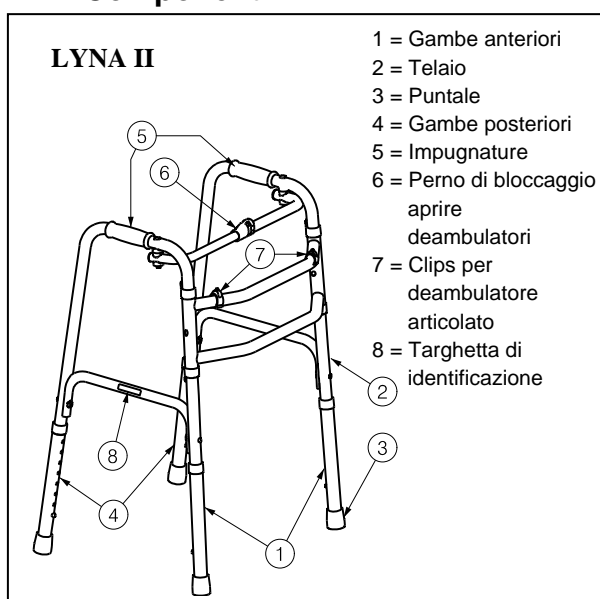
Prima di usare il deambulatore leggete attentamente il manuale delle istruzioni: vi consentirà di familiarizzare con il prodotto.

Per qualsiasi chiarimento, rivolgersi al rivenditore specializzato.

Per individuare il centro assistenza o il rivenditore specializzato più vicino, contattare il centro Vermeiren. Nell'ultima pagina del manuale, è disponibile un elenco di centri Vermeiren autorizzati.

I pazienti con problemi di vista possono contattare il rivenditore per le istruzioni d'uso.

2. Componenti



3. Significato dei simboli



Peso massimo



Conformità CE



Modello

4. Controllo dopo la consegna

Disimballare il prodotto e verificare che tutti i componenti siano stati consegnati. Devono essere incluse le parti seguenti:

- Deambulatori con 4 puntali (premontati)
- Maniglie regolabili in altezza
- Manuale di istruzioni

Verificare che non si siano prodotti danni durante il trasporto. In tal caso procedere come segue:

- Rivolgersi al corriere.
- Far certificare i danni
- Informare immediatamente il corriere.

5. Utilizzo previsto

- ⚠ AVVERTENZA:** Per evitare rischi di caduta – Non usare il deambulatore in caso di debolezza nelle braccia o di scarso equilibrio.

Il deambulatore compensa la mancanza di sostegno adeguato di appoggio alle gambe o in movimento, con l'utilizzo degli arti superiori o torace. Il deambulatore garantisce una maggiore stabilità, supporto e sicurezza durante il cammino.

Tuttavia non potrà essere utilizzato da persone con un problema visibile di debole funzionamento del braccio/mano o con instabilità.

Il deambulatore può essere utilizzata al chiuso e all'aperto. Deve essere utilizzato su una superficie piana, in modo che tutte quattro la puntale siano ben salde al suolo. Non deve essere utilizzato su terreni rocciosi o scoscesi (vedi dettagli tecnici: massima inclinazione) altrimenti potrebbe diventare instabile. Il suo utilizzo non è previsto per il trasporto di persone o merce.

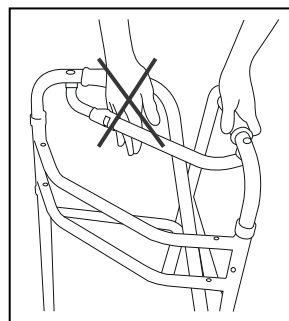
6. Prima di utilizzarlo si deve

- Rimuovere tutto l'imballo prima di usarlo per la prima volta.
- Aprire il deambulatore.
- Regolare il deambulatore nella altezza desiderata.

7. Apertura e chiusura del deambulatore (fig. 1)

- ⚠ AVVERTENZA:** Rischio di lesioni – Non spingere sulla chiusura (① in Fig. 1) a meno che non dobbiate chiudere il deambulatore.

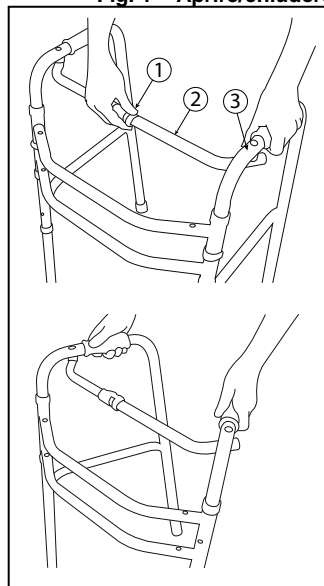
- ⚠ AVVERTENZA:** Rischio di lesioni - Verificare che il deambulatore sia completamente aperto prima di utilizzarlo.



- ⚠ AVVERTENZA:** Rischio di schiacciamento - Tenere le dita, le fibbie e gli abiti lontani dai punti a rischio di intrappolamento.

Il deambulatore deve essere chiuso in caso si trasporta in macchina o in aereo.

Fig. 1 – Aprire/chiedere il deambulatore



1. Chiusura del deambulatore

- Premere il perno di chiusura ① in mezzo alla barra ②.
- Afferrare la impugnature.
- Chiudere i lati ③ uno alla volta, verso l'interno.

2. Apertura del deambulatore

- Afferrare la impugnature.
- Aprire i lati ③ uno alla volta, verso l'esterno fino a che sente un click di aggancio.
- Verificare che le gambe ③ siano agganciate bene e non si muovano verso l'interno, prima di utilizzare il deambulatore.

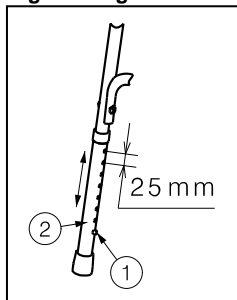
8. Regolazione dell'altezza delle maniglie di spinta (Fig. 2)

- ⚠ ATTENZIONE:** Rischio di caduta – Bloccare saldamente le maniglie di spinta prima di utilizzare il deambulatore. Verificare che l'aggancio ① sia ben incastrato nel foro.

- ⚠ **ATTENZIONE: Rischio di caduta – Non superare la regolazione massima in altezza delle maniglie di spinta; il deambulatore perderebbe stabilità.**
- ⚠ **ATTENZIONE: Rischio di ribaltamento - Posizionare le quattro gambe alla stessa altezza.**

Prima di usare il deambulatore è necessario regolarle all'altezza giusta.

Fig. 2 – Regolazione delle maniglie di spinta



Per regolare in altezza le maniglie di spinta, seguire la procedura seguente:

- Premere sull'aggancio ①.
- Muovere le gambe ② fino all'altezza desiderata (8 posizioni diverse ad intervalli di 25 mm).

- Verificare che l'aggancio ① sia ben posizionato nel foro.
- Regolare le altre gambe seguendo gli stessi passaggi.
- Verificare che tutte e quattro le gambe siano nella stessa posizione. In posizione eretta le maniglie di spinta devono essere all'altezza dei polsi. Lasciare le braccia a penzolari. L'angolo dei gomiti deve essere flesso tra i 20° ed i 30°.

9. Spostamento del deambulatore

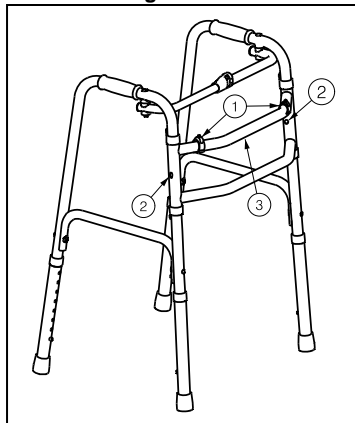
Il modo migliore per spostare il deambulatore è spingerlo dalle maniglie sia che sia quando è chiuso che quando è aperto.

10. Modifica del deambulatore articolato (Fig. 3 e 4)

E' possibile modificare il deambulatore mod Lyna II da articolato a non articolato.

Modificare il deambulatore in articolato (Fig. 3):

Fig. 3 – Deambulatore articolato

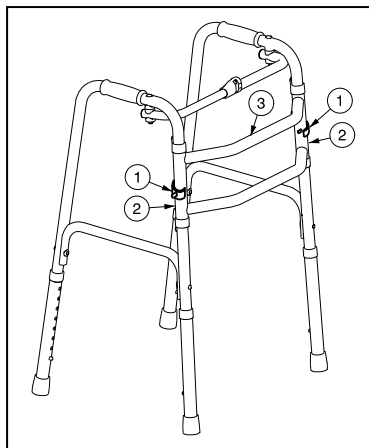


- Rimuovere i perni di chiusura ① dai fori posizionati sui tubi laterali ② nella parte anteriore del deambulatore.
- Posizionare i perni di chiusura ① nei buchi nella parte alta del tubo ③.

- In questo modo le parti laterali del deambulatore possono essere articolate (0° - 3,5°). Il vantaggio è di avere un supporto sempre stabile.

Modificare il deambulatore in non articolato (Fig.4):

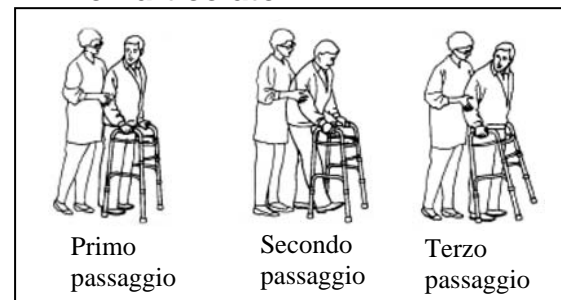
Fig. 4 – Deambulatore non articolato



- Rimuovere i perni di chiusura ① dai fori della parte alta del tubo ③.
- Posizionare i perni di chiusura ① nei fori nella parte laterale dei tubi ② posizionati nella parte anteriore del deambulatore.

- In questo modo il deambulatore è bloccato ed il telaio non può essere articolato (0°).

11. Muoversi con il deambulatore non articolato



Primo passaggio:

Allineate il baricentro del vostro corpo con le gambe posteriori del deambulatore.

Secondo passaggio:

Sollevate il deambulatore e posizionate di fronte a voi assicurandovi che le gambe siano ben salde al terreno.

Terzo passaggio:

Camminate con prudenza, un passo alla volta.

12. Muoversi con il deambulatore articolato (solo per il modello Lyna II)

Primo passaggio:

Allineate il baricentro del vostro corpo con le gambe posteriori del deambulatore.

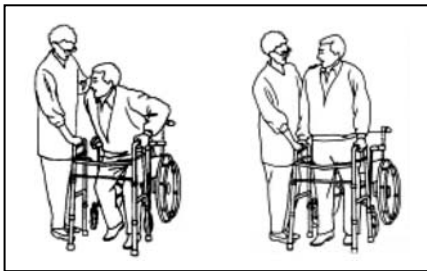
Secondo passaggio:

Fate scivolare in avanti un lato del deambulatore spingendo sulle maniglie di spinta. Successivamente fate scivolare in

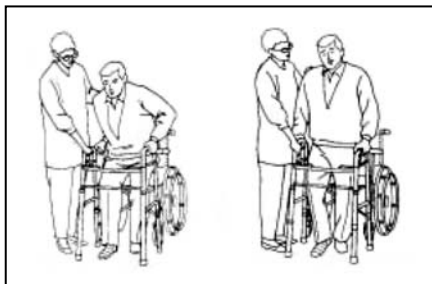
avanti anche l'altro sempre spingendo sulle maniglie.

13. Trasferimento dalla carrozzina al deambulatore Lyna II

Assicuratevi che le ruote della carrozzina siano frenate. Sollevate il vostro corpo appoggiandovi ai braccioli e trasferitevi, una mano alla volta, al deambulatore (chiedete assistenza se siete in difficoltà).



Con lesione agli arti inferiori : assicuratevi che le ruote della carrozzina siano frenate. Sollevate il vostro corpo appoggiandovi ai braccioli e trasferite prima la mano sinistra, seguita dalla destra (se la lesione è dalla parte sinistra, trasferite prima la mano destra, seguita dalla sinistra).



14. Trasferimento dalla carrozzina al deambulatore Lindsey

Le maniglie di spinta del deambulatore mod. Lindsey sono più basse per agevolare e rendere più sicuri il trasferimento dalla carrozzina, dal letto,

Assicuratevi che le ruote della carrozzina, letto, siano frenate. Sollevarsi appoggiandosi ai braccioli e spostare il corpo mettendo sulle maniglie di spinta, una mano alla volta, partendo da quella più bassa a quella più alta.

15. Istruzioni per la sicurezza

- Verificare che il deambulatore sia in perfette condizioni prima dell'utilizzo.
- Se sono presenti delle parti danneggiate o mancanti prego contattare immediatamente un tecnico qualificato.
- Non sedetevi sul deambulatore - Rischio di ribaltamento o Rischio di lesioni.
- Usare solo le maniglie di spinta come supporto.

- Pericolo di ustioni. Prestare attenzione durante l'uso in ambienti caldi o freddi (esposizione al sole, freddo estremo, sauna, ecc.) per un determinato periodo di tempo e quando si tocca il dispositivo.
- Prima di ogni utilizzo verificare che i perni di chiusura per la regolazione dell'altezza delle maniglie siano saldamente bloccati.
- Accertarsi che il perno di sicurezza pieghevole / fisso del deambulatore sia sempre inserito.
- Durante l'uso non sollevare il deambulatore perché potrebbe ripiegarsi, con rischio di caduta. Iniziare a spingere quando si è in posizione eretta con entrambe le mani sulle impugnature.
- Non tenere le impugnature con le mani umide, perché potrebbero scivolare facendo perdere l'equilibrio.
- Durante la marcia imparare a riconoscere i primi segni di affaticamento ed accertarsi che ci sia un posto per fermarsi a riposare.
- **La portata massima è di Kg.130.**
- Utilizzare il deambulatore all'esterno, trovando aree pianeggianti e stabili su cui utilizzarlo. Evitare cordoli e/o buche profonde. Passare dove i maciapiedi sono stati adeguati alle normative per l'abbattimento delle barriere architettoniche.
- Evitare di procedere su ciottoli e simili, perché si potrebbe perdere il controllo del deambulatore.
- Fate attenzione a: tappeti o moquette, giocattoli, tendaggi, animali, imperfezioni del pavimento, liquidi o pozzanghere.
- Non avventurarsi nel traffico col deambulatore. Utilizzare piste pedonali piane.
- Evitare strade, percorsi con forti pendenze (la pendenza massima affrontabile è indicata nelle scheda tecnica).
- Non utilizzare il deambulatore su scalinate o scale mobili.
- Fare attenzione su superfici scivolose.
- La casa costruttrice declina ogni garanzia e responsabilità in caso di uso improprio e di mancata esecuzione dei controlli prescritti nelle istruzioni per l'uso.

16. Manutenzione, Controllo, Pulizia

Per il manuale di manutenzione del deambulatore consultate il sito web Vermeiren: www.vermeiren.it.

MANUAL DE INSTRUCCIONES

Caminador Lyna II, Lindsey

1. Datos técnicos

⚠ ADVERTENCIA: Riesgo por ajustes peligrosos; utilice únicamente los ajustes indicados en este manual.

Fabricante	Vermeiren
Dirección	Vermeirenplein 1/15, B-2920 Kalmthout
Tipo	Caminador
Modelo	Lyna II
Ancho total	540 mm
Longitud total	470 mm
Altura máxima	960 mm
Altura mínima	780 mm
Ancho (plegada)	120 mm
Longitud (plegada)	510 mm
Altura (plegada)	780 mm - 955 mm
Distancia entre las empuñaduras	495 mm
Peso	2,65 kg
Inclinación máx. hacia delante	10°
Inclinación máx. hacia atrás	5°
Inclinación máx. lateral	8°
Peso máximo del usuario	máx. 130 kg
Diámetro de giro	1180 mm
Ángulo máximo empuñaduras	0° (no articulado) 3,5° (articulado)
Temperatura de almacenamiento	+5°C - +41°C
Derechos de modificación reservados. Tolerancia de la medida ± 15 mm/1,5 kg/ °.	

Fabricante	Vermeiren
Dirección	Vermeirenplein 1/15, B-2920 Kalmthout
Tipo	Caminador
Modelo	Lindsey
Ancho total	590 mm
Longitud total	540 mm
Altura máxima	970 mm (empuñaduras 1) 710 mm (empuñaduras 2)
Altura mínima	790 mm (empuñaduras 1) 535 mm (empuñaduras 2)
Ancho (plegada)	120 mm
Longitud (plegada)	605 mm
Altura (plegada)	790 mm - 970 mm
Distancia entre las empuñaduras	475 mm
Peso	2,75 kg
Inclinación máx. hacia delante	10°
Inclinación máx. hacia atrás	5°
Inclinación máx. lateral	8°
Peso máximo del usuario	máx. 130 kg
Diámetro de giro	1510 mm
Ángulo máximo empuñaduras	0° (no articulado)
Temperatura de almacenamiento	+5°C - +41°C
Derechos de modificación reservados. Tolerancia de la medida ± 15 mm/1,5 kg/ °.	

En primer lugar, queremos agradecerle la confianza que ha puesto en nosotros eligiendo un producto **VERMEIREN**.

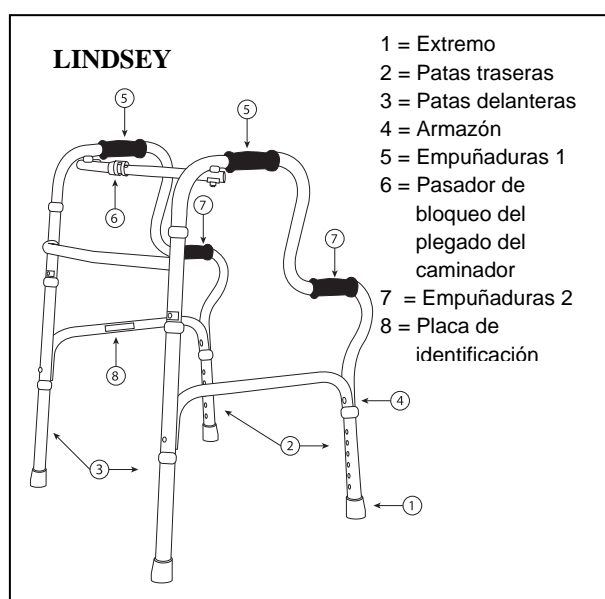
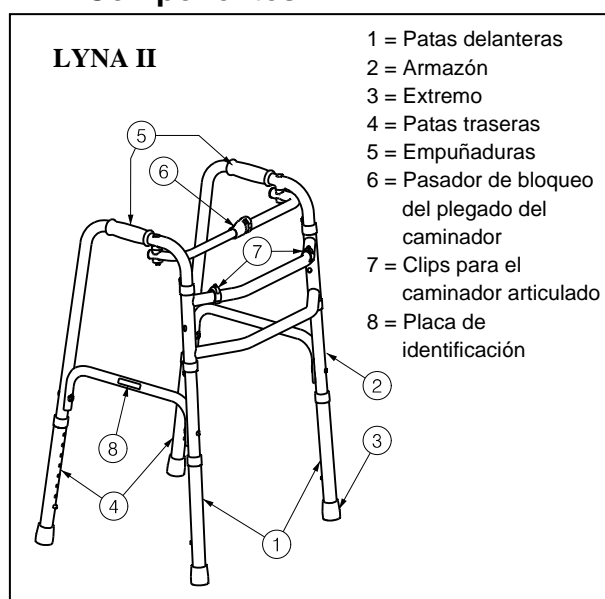
Antes de usar el caminador, lea el manual de instrucciones con atención para familiarizarse con el producto.

Si tiene más preguntas, le rogamos que consulte a su distribuidor especializado.

Para encontrar un centro de servicio o un distribuidor especializado cerca de usted, póngase en contacto con el centro Vermeiren más próximo. Puede encontrar una lista con los centros Vermeiren en la última página.

Las personas con deficiencias visuales pueden ponerse en contacto con el distribuidor para obtener las instrucciones de uso.

2. Componentes



3. Explicación de los símbolos



Peso máximo



Conformidad con la normativa CE



Designación de tipo

4. Comprobación tras la entrega

Desembale el producto y compruebe que incluye todos los componentes. El paquete debe contener los siguientes elementos:

- Caminador con 4 extremos (montados)
- empuñaduras de altura ajustable
- manual

Inspeccione el producto para comprobar si ha sufrido daños durante el transporte. Si encuentra daños tras la entrega, proceda de la siguiente manera:

- Póngase en contacto con el transportista
- Haga una lista con los problemas detectados
- Póngase en contacto con su proveedor

5. Uso previsto

⚠ ADVERTENCIA: Riesgo de caída: no use el caminador si no tiene equilibrio o fuerza en los brazos.

El caminador compensa la falta de apoyo de las piernas con la inclinación sobre el andador o el desplazamiento con él mediante el uso de las extremidades superiores o el pecho. El caminador mejora la estabilidad y ofrece mayor apoyo y seguridad al caminar.

No obstante, su uso no está permitido para personas con la función de una mano y/o de un brazo visiblemente debilitada ni para personas con problemas de equilibrio.

Los caminadores se pueden utilizar tanto en lugares cerrados como en espacios abiertos. El caminador sólo debe emplearse sobre superficies en las que los cuatro extremos estén en contacto con el suelo. No debe usarse en terrenos pedregosos o en pendientes (consulte el apartado de inclinación máxima de los detalles técnicos), puesto que el caminador podría perder estabilidad. Este producto no está concebido para el transporte de personas u objetos.

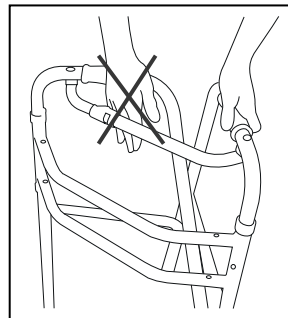
6. Antes de usar

- Retire todo el embalaje antes de usar el caminador por primera vez.
- Despliegue del caminador.
- Ajuste las empuñaduras a la altura que desee.

7. Plegado y desplegado del caminador (imagen 1)

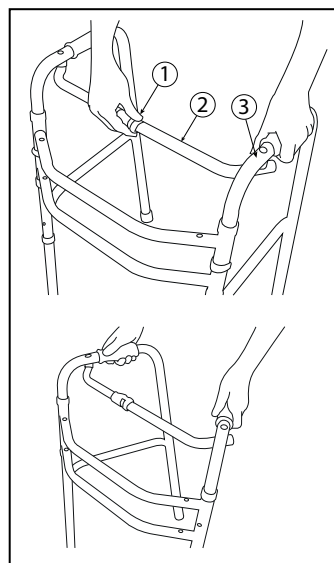
⚠ ADVERTENCIA: Riesgo de lesiones - No presione el pasador de seguridad ① (imagen 1) a menos que usted pliegue el caminador.

⚠ ADVERTENCIA: Riesgo de lesiones - Compruebe que el caminador está completamente desplegado antes de utilizarlo.



⚠ ADVERTENCIA: Riesgo de atrapamiento. Mantenga los dedos, hebillas y ropa alejados de las zonas peligrosas.

El caminador se puede plegar para transportarlo en coche o avión.



1. Plegado del caminador

- Presione el pasador de bloqueo ①, situado en el medio de la barra ②.
- Agarre las empuñaduras.
- Uno a uno pliegue hacia adentro los laterales del chasis ③.

Imagen 1: plegar/desplegar el caminador

2. Desplegado del caminador

- Agarre las empuñaduras.
- Uno a uno despliegue hacia afuera los laterales del chasis ③ hasta que con un clic se queden en su posición.
- Compruebe, antes de utilizar el caminador, que los laterales del chasis ③ están bien fijados y no se mueven hacia adentro.

8. Ajuste de la altura de las empuñaduras (Imagen 2)

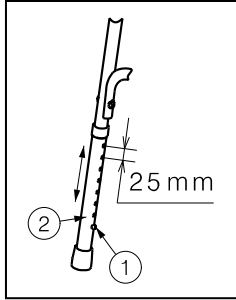
⚠ PRECAUCIÓN: Riesgo de caída. Fije bien las empuñaduras antes de usar el caminador. Compruebe que el pasador ① está firmemente fijado en el agujero.

- ⚠ PRECAUCIÓN: Riesgo de caída. No supere el ajuste de altura máxima de las empuñaduras para empujar, de lo contrario, el caminador perderá la estabilidad.**

- ⚠ PRECAUCIÓN: Riesgo de vuelco - Coloque las cuatro patas a la misma altura.**

Antes de usar el caminador, debe ajustarlas a la altura adecuada.

Fig. 2 – Ajuste de las empuñaduras



Realice los siguientes pasos para ajustar la altura de las empuñaduras para empujar:

- Presione el pasador ①.
- Mueva la pata ② hasta la altura deseada (8 posiciones distintas: intervalos de 25 mm).

- Compruebe que el pasador ① queda firmemente fijado en el agujero con un clic.
- Siga estas mismas instrucciones para ajustar las otras patas.
- Compruebe que todas las patas están en la misma posición. Cuando esté de pie, las empuñaduras deben encontrarse a la altura de las muñecas. Deje que le cuelguen los brazos libremente. Los codos deberían estar flexionados entre 20 y 30°.

9. Transportar el caminador

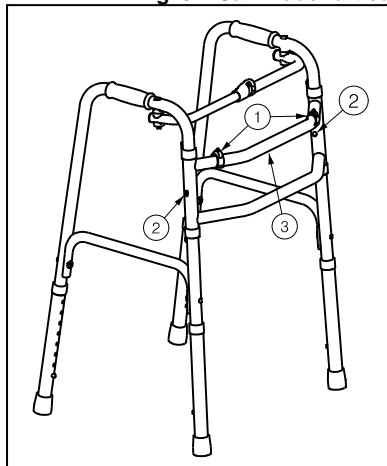
La mejor manera de transportar el caminador es agarrando el caminador por las empuñaduras cuando está plegado o desplegado.

10. Cambiar a un caminador articulado (Imagen 3 y 4)

Cabe la posibilidad de cambiar el caminador Lyna II a un caminador articulado o no articulado.

Ajuste del caminador a un caminador articulado (imagen 3):

Fig. 3 – Caminador articulado

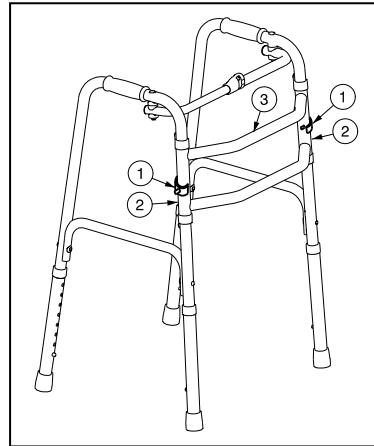


- Extraer los pasadores de bloqueo ① de los agujeros de los tubos laterales ② en la parte delantera del caminador.

- Coloque los pasadores de bloqueo ① en los agujeros del tubo superior ③.
- Ahora los laterales del chasis del caminador se pueden articular (0° - 3,5°). La ventaja es que esto le da siempre un soporte estable.

Ajustar el caminador a un caminador no articulado (Imagen 4):

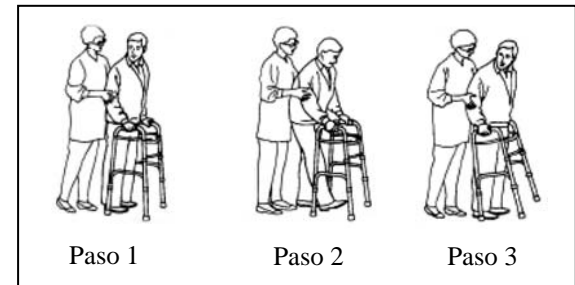
Fig. 4 – Caminador no articulado



- Extraer los pasadores de bloqueo ① de los agujeros del tubo superior ③.
- Volver a colocar los pasadores de bloqueo ① en los agujeros de los tubos laterales ② en la parte frontal del caminador.

- Ahora las partes laterales del caminador no se pueden articular (0°).

11. Caminar con un caminador no articulado



Paso 1:

Alinee la parte central de los pies con las patas traseras del caminador.

Paso 2:

Levante el caminador y llévelo hacia delante; asegúrese de que las cuatro patas reposan en el suelo.

Paso 3:

Avance con cuidado hacia delante, un paso tras otro.

12. Caminar con el caminador articulado (solo para caminador Lyna II)

Paso 1:

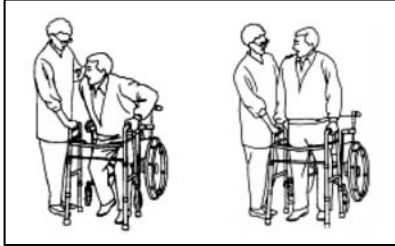
Alinee la parte central de los pies con las patas traseras del caminador.

Paso 2:

Deslice hacia delante un lateral del chasis con la empuñadura. Después deslice hacia delante el otro lateral del chasis con la empuñadura.

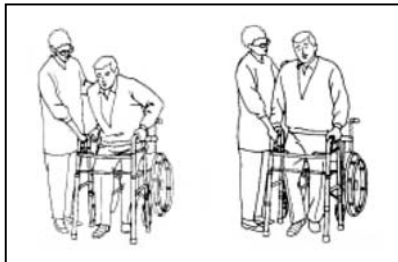
13. Transferencia de la silla al caminador Lyna II

Asegúrese de que las ruedas de la silla están bloqueadas. Utilice los reposabrazos para levantar el cuerpo y trasládese al caminador, primero una mano y luego la otra (pida ayuda si no se siente capaz de hacerlo).



(con una lesión en la pierna derecha o el pie derecho)

Asegúrese de que las ruedas de la silla están bloqueadas. Utilice los reposabrazos para levantar el cuerpo y, con cuidado, pase primero la mano izquierda y luego la derecha (si la lesión está en la pierna izquierda o el pie izquierdo, pase primero la mano derecha y luego la izquierda).



14. Transferencia de la silla al caminador Lindsey

El caminador Lindsey tiene las empuñaduras menos altas para salir más fácilmente y con más seguridad de la silla, la cama, etc. Asegúrese de que las ruedas de la silla, camilla están bloqueadas. Levante su cuerpo empujando hacia abajo los reposabrazos y cuidadosamente haga la transferencia, primero una mano y después la otra, agarre primero la empuñadura menos alta del caminador y después la empuñadura más alta.

15. Instrucciones de seguridad

- Compruebe que el caminador está en perfecto estado antes de usarlo.
- Si existen partes dañadas/faltantes cámbielos inmediatamente por un técnico cualificado.
- No se siente en su caminador - Riesgo de vuelco o riesgo de lesiones

- Utilice las empuñaduras solo como soporte.
- Riesgo de quemaduras: tenga cuidado cuando circule por entornos calientes o fríos (luz solar, frío extremo, saunas, etc.) durante un período de tiempo prolongado, ya que podría quemarse al tocar el dispositivo.
- Antes de cada uso, compruebe que los pasadores de bloqueo para ajustar la altura de las empuñaduras estén firmemente bloqueadas.
- Asegúrese de que el sistema de seguridad que evita plegados/despliegues involuntarios funciona correctamente.
- Únicamente debe comenzar a moverse con el caminador cuando se sienta cómodo de pie y cuando tenga las dos manos sobre las empuñaduras.
- No sujete las empuñaduras con las manos mojadas. Si lo hiciera, podría no tener un buen agarre y perder el equilibrio.
- Cuando detecte que su cuerpo se está cansando, busque un lugar para descansar.
- **La presión máxima para este aparato es de 130 Kg.**
- En el exterior, busque zonas planas y estables para usar el caminador. Evite bordillos y/o agujeros profundos. Encuentre un lugar donde los bordillos estén biselados.
- Evite caminos con baches o tierra. Sobre ese tipo de calzada podría perder el control de la estabilidad del caminador.
- Atención: tenga cuidado con: Los pliegues de las alfombras, los juguetes, las cortinas, los animales, las grietas del suelo, los líquidos y charcos.
- No se meta entre el tráfico con el caminador. Quédese siempre en la acera o en el arcén.
- Evite carreteras o pendientes con una inclinación muy pronunciada (el ángulo máximo se menciona en los detalles técnicos).
- No utilice su caminador en escaleras o escaleras mecánicas.
- Practique cuando camine por superficies con pendiente, mojadas o resbaladizas.
- Tenga en cuenta las instrucciones de cuidado y mantenimiento. El fabricante no asume ninguna responsabilidad por los daños derivados de un cuidado o mantenimiento incorrectos.

16. Mantenimiento, Inspección, Cuidados

Para consultar el manual de mantenimiento del caminador, visite el sitio web de Vermeiren.

Instrukcję obsługi **Balkonik frame Lyna II, Lindsey**

1. Dane techniczne

⚠ OSTRZEŻENIE: **Ryzyko**
niebezpiecznych ustawień — należy
używać wyłącznie ustawień opisanych
w tej instrukcji obsługi.

Producent	Vermeiren
Adres	Vermeirenplein 1 / 15 B-2920 Kalmthout
Typ	Balkonik
Model	Lyna II
Szerokość całkowita	540 mm
Długość całkowita	470 mm
Wysokość maksymalna	960 mm
Wysokość minimalna	780 mm
Szerokość (po złożeniu)	120 mm
Długość (po złożeniu)	510 mm
Wysokość (po złożeniu)	780 mm - 955 mm
Odległość uchwytów	495 mm
Waga	2,65 kg
Max. nachylenie do przodu	10°
Max. nachylenie do tyłu	5°
Max. nachylenie na boki	8°
Maksymalna waga użytkownika	maks. 130 kg
Średnica skrętu	1180 mm
Maksymalny kąt rączek	0° (niezablokowany) 3,5° (zablokowany)
Temperatura przechowywania	+5°C - +41°C
Producent zastrzega sobie prawo do wprowadzania zmian parametrów technicznych. Tolerancja pomiarów ± 15 mm / 1,5 kg / °.	

Producent	Vermeiren
Adres	Vermeirenplein 1 / 15 B-2920 Kalmthout
Typ	Balkonik
Model	Lindsey
Szerokość całkowita	590 mm
Długość całkowita	540 mm
Wysokość maksymalna	970 mm (Uchwyt 1) 710 mm (Uchwyt 2)
Wysokość minimalna	790 mm (Uchwyt 1) 535 mm (Uchwyt 2)
Szerokość (po złożeniu)	120 mm
Długość (po złożeniu)	605 mm
Wysokość (po złożeniu)	790 mm - 970 mm
Odległość uchwytów	475 mm
Waga	2,75 kg
Max. nachylenie do przodu	10°
Max. nachylenie do tyłu	5°
Max. nachylenie na boki	8°
Maksymalna waga użytkownika	maks. 130 kg
Średnica skrętu	1510 mm
Maksymalny kąt rączek	0° (niezablokowany)
Temperatura przechowywania	+5°C - +41°C
Producent zastrzega sobie prawo do wprowadzania zmian parametrów technicznych. Tolerancja pomiarów ± 15 mm / 1,5 kg / °.	

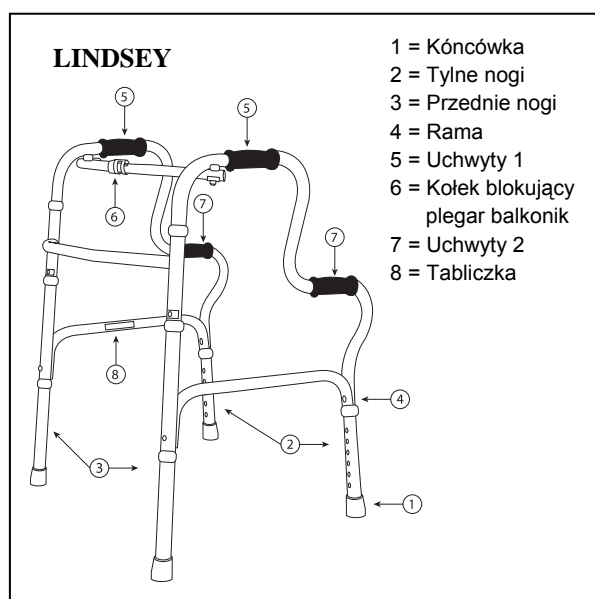
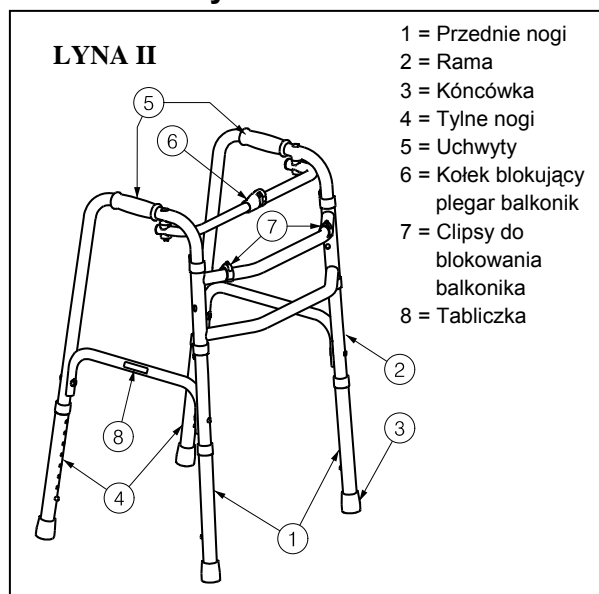
Dziękujemy za zaufanie jakim nas Państwo obdarzyliście wybierając wyroby **VERMEIREN**.

Przed użyciem balkonik, uważnie przeczytaj instrukcję obsługi; będzie to pomocne w zapoznaniu się z tym produktem.

W razie jakichkolwiek pytań prosimy kontaktować się ze sprzedawcą. Aby uzyskać informację o odpowiednim punkcie serwisowym lub wyspecjalizowanym sprzedawcy, należy skontaktować się z najbliższym przedstawicielem firmy Vermeiren. Wykaz przedstawicieli firmy Vermeiren podano na ostatniej stronie.

Osoby niedowidzące mogą skontaktować się ze sprzedawcą w celu uzyskania instrukcji użytkowania.

2. Elementy składowe



3. Objaśnienie symboli



Waga maksymalna



CE deklaracja



Oznaczenie typu

4. Kontrola po dostawie

Dostarczony produkt należy rozpakować i sprawdzić, czy zawiera wszystkie elementy. W zestawie powinny znajdować się:

- Balkonik z 4 końcówkami (zamontow)
- Regulowane uchwyty
- Instrukcja obsługi

Proszę sprawdzić wyrób pod kątem zniszczeń w transporcie. Jeśli wyrób nosi ślady uszkodzeń w transporcie proszę zastosować się do poniższej procedury:

- Proszę skontaktować się i poinformować firmę transportową
- Sporządzić listę uszkodzeń
- Skontaktuj się ze sprzedawcą

5. Przeznaczenie

⚠ OSTRZEŻENIE: Ryzyko upadku – Nie należy używać balkonik w przypadku ograniczonej sile ramion i przy zachwianym poczuciu równowagi.

Balkonik służy do podparcia dla osób, które mają nie wystarczająco siły w nogach podczas samodzielnego stania, lub poruszania się. Gwarantuje lepszą stabilność, podparcie i bezpieczeństwo podczas chodzenia. Aczkolwiek nie może być używany przez osoby ze słabymi rękami z dysfunkcjami ramion oraz przez osoby z zachwianym poczuciem równowagi.

Balkonik mogą być używane w mieszkaniu i na dworze.

Z balkonik należy korzystać wyłącznie na powierzchniach, na których wszystkie cztery koła dotykają podłoża. Nie należy używać balkonik w terenie skalistym i o dużym nachyleniu (patrz dane techniczne: Max nachylenie) balkonik może stać się niestabilny. Balkonik nie służy do przewożenia osób i rzeczy.

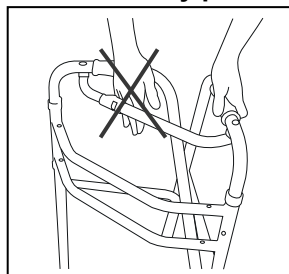
6. Przed użyciem należy

- Usunąć wszystkie materiały zabezpieczające przed użyciem balkonika pierwszy raz.
- Rozłożyć balkonik.
- Ustawić uchwyty w odpowiedniej wysokości.

7. Składanie i rozkładanie balkonik (Rys. 1)

⚠ OSTRZEŻENIE: Ryzyko urazu – Nie wciskaj trzpienia blokującego (1) na Rys. 1) gdy używasz.

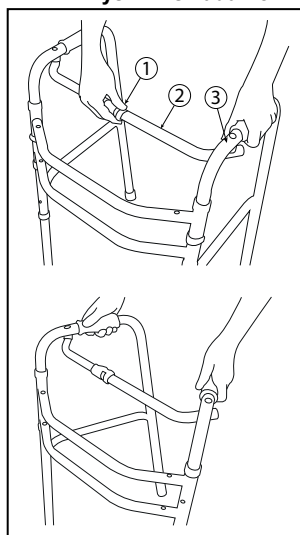
⚠ OSTRZEŻENIE: Ryzyko urazu – Sprawdź czy balkonik jest cały rozłożony przed użytkowaniem



⚠ OSTRZEŻENIE: Ryzyko przyskrzypienia - Nie wkładaj palcy, klamer i ubrania do strefy uwięzienia elementów zewnętrznych.

Do transportu balkonika w samochodzie czy samolocie należy go złożyć.

Rys. 1 – składanie / rozkładanie balkonik



1. Składanie balkonik

- Wciśnij bolec zabezpieczający ① znajdujący się na środku poprzeczki ②.
- Chwyć uchwyty.
- Złóż ramy boczne ③ jedna po drugiej do środka.

2. Rozłożenie balkonik

- Chwyć uchwyty.
- Rozłóż ramy boczne ③ jedna po drugiej na zewnątrz do momentu gdy usłyszysz click-wtedy ramy znajdują się na odpowiedniej pozycji.
- Sprawdź czy ramy boczne ③ są dobrze zabezpieczone przed bezpośrednim użyciem.

8. Regulacja wysokości uchwytów (Rys. 2)

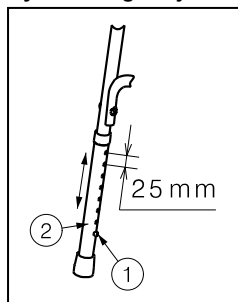
⚠ PRZESTROGA: Ryzyko upadku - Dobrze umocuj uchwyty przed użyciem balkonik. Sprawdź czy sprężynki blokujące ① znajdują się w wyznaczonych otworach.

⚠ PRZESTROGA: Ryzyko upadku - Nie przekraczaj maksymalnej wysokości ustawienia uchwytów, gdyż twój balkonik straci wtedy stabilność.

⚠ PRZESTROGA: Ryzyko przewrócenia – Wszystkie cztery nogi powinny znajdować się na tej samej wysokości.

Przed użyciem balkonik, należy je ustawić w prawidłowej wysokości.

Rys. 2 – Regulacja uchwytów



Wysokość położenia uchwytów może być regulowana w następujący sposób:

- Wciśnij sprężynkę blokującą ①.
- Przesuń nogi ② do pożądanego przez siebie poziomu. (8 różnych pozycji: miarka co 25 mm).
- Sprawdź czy sprężynka zabezpieczająca ① kliknęła i znalazła się w prawidłowym otworze.
- Ustaw drugie nogi w ten sam sposób.
- Sprawdź czy wszystkie nogi są w tej samej pozycji. Stojąc prosto, uchwyty powinny sięgać do twoich nadgarstków; ramiona powinny luźno zwisać. Łokcie powinny być zgięte pod kątem od 20° do 30°.

9. Przenoszenia balkonika

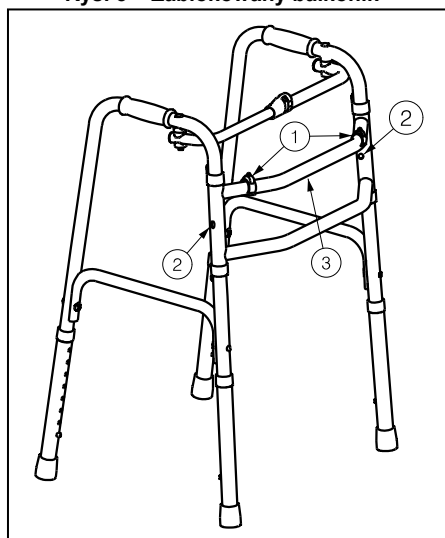
Najlepszy sposób na przeniesienie balkonika to złapanie go za rączki, podniesienie i przeniesienie gdy jest złożony bądź rozłożony.

10. Zmiana na zablokowany balkonik (Rys. 3 i 4)

Dla balkonika Lyna II są dwie możliwości ustawień. Zablokowany balkonik oraz niezablokowany.

Ustawienia dla zablokowanego balkonika (Rys. 3):

Rys. 3 – Zablokowany balkonik

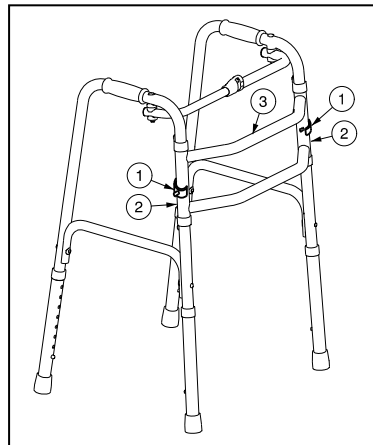


- Usuń blokujące klipsy ① z otworów w rurach ② znajdujących się na przodzie balkonika.
- Umieść blokujące klipsy ① w otworach znajdujących się na górze barierki ③.

- Teraz balkonik można ustawić (0° - 3,5°). Takie ustawienie zapewnia ci pewne i stabilne oparcie.

Ustawienia dla niezablokowanego balkonika (Rys.4):

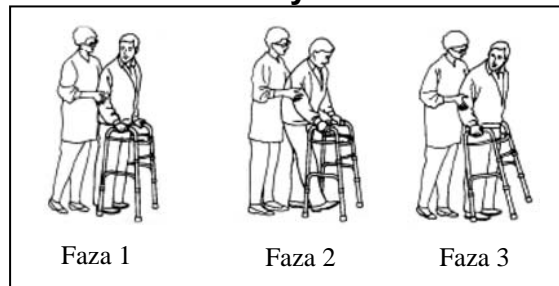
Rys. 4 – Niezablokowany balkonik



- Usuń blokujące klipsy ① znajdujące się na szczycie rurki.
- Umieść z powrotem blokujące klipsy ① w bocznych otworach rur ② znajdujących się z przodu balkonika.

- Teraz balkonik może mieć tylko jedno ustawienie (0°).

11. Poruszanie się z niezablokowanym balkonikiem



Faza 1:
Ustaw równo stopy pomiędzy tylnymi nóżkami balkonik.

Faza 2:
Podnieś balkonik i postaw przed sobą, upewniając się, że wszystkie nóżki podpórki pewnie wspierają się o podłoże.

Faza 3:
Ostrożnie zrób krok do przodu.

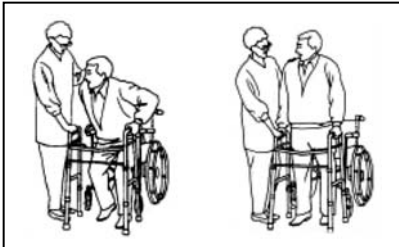
12. Poruszanie się z balkonikiem (tylko balkonik Lyna II)

Faza 1:
Ustaw równo stopy pomiędzy tylnymi nóżkami balkonik.

Faza 2:
Przesuń jedną stronę z rączką lekko do przodu następnie przesuń drugą stronę do przodu. Ruchy wykonuj na przemian.

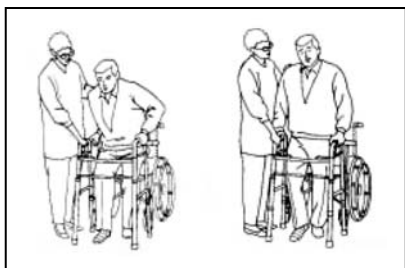
13. Przenoszenie się z wózka rehabilitacyjnego na balkonik

Upewnij się, że koła wózka zostały zablokowane. Unieś się, wspierając się o podłokietniki wózka, w tym samym czasie chwyć jedną ręką uchwyt podpórki i powoli przenieś środek ciężkości ciała na podpórkę, chwytając jednocześnie drugą ręką drugi uchwyt.



(niesprawna prawa noga)

Upewnij się, że koła wózka zostały zablokowane. Unieś się, wspierając się o podłokietniki wózka, następnie ostrożnie chwyć lewą ręką uchwyt podłokietnika i powoli przenieś środek ciężkości ciała na podpórkę chwytając jednocześnie prawy uchwyt prawą ręką (w przypadku kiedy lewa noga jest niesprawna, najpierw chwyć podpórką prawą ręką potem lewą).



14. Zmiana pozycji z wózka na balkonik Lindsey

Balkonik Lindsey ma obniżone rączki w celu łatwiejszego i bezpieczniejszego wstawania z wózka rehabilitacyjnego, łóżka, ...

Upewnij się, że koła wózka, łóżka, ... zostały zablokowane. Podnieś swoje ciało z wózka poprzez złapanie niższych rączek balkonika a następnie zaprzyj się na nich i podnieś do góry. Wykonaj to w jednym czasie. Następnie złap się rączek zamontowanych wyżej.

15. Instrukcje bezpieczeństwa

- Za każdym razem przed użytkowaniem sprawdź czy balkonik jest kompletny i czy nie ma na nim żadnych śladów uszkodzeń.
- Nie siadaj na balkoniku - Ryzyko przewrócenia lub Ryzyko urazu.
- Używaj rączek tylko jako wsparcie.
- Istnieje ryzyko poparzenia - Należy zachować ostrożność podczas przewożenia przy bardzo wysokich i niskich temperaturach (na ostrym słońcu, mrozie, w saunie itp.) przez dłuższy czas i przy kontakcie ze skórą.

- Przed używaniem należy upewnić się, że bolce blokujące rączki do pchania są dokładnie dociśnięte.
- Należy sprawdzić, czy blokada służąca składania i rozkładania balkonik działa poprawnie.
- Posługiwanie się balkonik do chodzenia jest dozwolone tylko wtedy kiedy użytkownik czuje się stabilnie i komfortowo oraz dwie ręce spoczywają na uchwytach.
- Nie należy chwytać uchwyty wilgotnymi dłońmi. Ręce mogą się ześliznąć z uchwytów i w ten sposób użytkownik może utracić równowagę.
- Kiedy poczujesz się zmęczony poszukaj sobie miejsca gdzie możesz odpocząć.
- **Maksymalna dopuszczana waga użytkownika to 130 kg.**
- Podczas używania balkonik na zewnątrz, staraj się aby powierzchnia była równa i stabilna. Należy unikać krawężników i głębokich dziur. Szukaj miejsc z łagodnymi zjazdami, niskimi krawężnikami.
- Należy unikać ścieżek wyboistych i piaszczystych. Grozi utratą kontroli nad balkonik i stabilności.
- Uwaga: przy poruszaniu się należy szczególnie uważać na: leżące dywaniki, zabawki, części garderoby, zwierzęta, popękane nawierzchnie, rozlane ciecze, kałuże.
- Nie należy używać balkonik w ruchu ulicznym tylko na chodniku. Używaj tylko na chodniku.
- Unikaj dróg, stoków z bardzo stromym nachyleniem (maksymalne kąty nachylenia są wymienione w szczegółach technicznych).
- Nie używaj swojego balkonika na schodach oraz ruchomych schodach.
- Uważaj gdy poruszasz się po pochyłe bądź mokrej nawierzchni.
- Proszę dokładnie zapoznać się z instrukcją w zakresie bezpieczeństwa iserwisu. Producent nie bierze odpowiedzialności za zniszczenia spowodowane przez nie właściwe użytkowanie i konserwację.

16. Konserwacja, Kontrola, Pielęgnacja

Instrukcje dotyczące konserwacji ręczny balkonik znajdziesz na stronie internetowej firmy Vermeiren: www.vermeiren.pl.



SERVICE

The walking frame was serviced:

Le cadre de marche contrôlé:

Het loopkader is gecontroleerd:

Das Gehgestell wurde überprüft:

Il deambulatori è stat ispezionata:

La caminador ha sido revisado:

Z balkonik był serwisowany:

Dealer's stamp • Cachet du revendeur • Stempel van de handelaar
Händlerstempel • Timbro del rivenditore • Sello del distribuidor •
Dealerzy pieczęć:

Date • Datum • Data • Fecha:

Dealer's stamp • Cachet du revendeur • Stempel van de handelaar
Händlerstempel • Timbro del rivenditore • Sello del distribuidor •
Dealerzy pieczęć:

Date • Datum • Data • Fecha:

Dealer's stamp • Cachet du revendeur • Stempel van de handelaar
Händlerstempel • Timbro del rivenditore • Sello del distribuidor •
Dealerzy pieczęć:

Date • Datum • Data • Fecha:

Dealer's stamp • Cachet du revendeur • Stempel van de handelaar
Händlerstempel • Timbro del rivenditore • Sello del distribuidor •
Dealerzy pieczęć:

Date • Datum • Data • Fecha:

Dealer's stamp • Cachet du revendeur • Stempel van de handelaar
Händlerstempel • Timbro del rivenditore • Sello del distribuidor •
Dealerzy pieczęć:

Date • Datum • Data • Fecha:

Dealer's stamp • Cachet du revendeur • Stempel van de handelaar
Händlerstempel • Timbro del rivenditore • Sello del distribuidor •
Dealerzy pieczęć:

Date • Datum • Data • Fecha:

Dealer's stamp • Cachet du revendeur • Stempel van de handelaar
Händlerstempel • Timbro del rivenditore • Sello del distribuidor •
Dealerzy pieczęć:

Date • Datum • Data • Fecha:

Dealer's stamp • Cachet du revendeur • Stempel van de handelaar
Händlerstempel • Timbro del rivenditore • Sello del distribuidor •
Dealerzy pieczęć:

Date • Datum • Data • Fecha:

Dealer's stamp • Cachet du revendeur • Stempel van de handelaar
Händlerstempel • Timbro del rivenditore • Sello del distribuidor •
Dealerzy pieczęć:

Date • Datum • Data • Fecha:

Dealer's stamp • Cachet du revendeur • Stempel van de handelaar
Händlerstempel • Timbro del rivenditore • Sello del distribuidor •
Dealerzy pieczęć:

Date • Datum • Data • Fecha:

- For service checklists an additional technical information, please see our specialist dealers nearest to you. More information on our website at: www.vermeiren.com.
- Les listes des contrôles à effectuer lors des entretiens de même que toute autre information technique sont disponibles auprès de nos filiales. Pour de plus amples informations, consultez le site: www.vermeiren.fr.
- Servicelijsten en andere technische informatie kunt u aanvragen bij onze vestigingen. Meer informatie vindt u ook op: www.vermeiren.be.
- Servicechecklisten und weitere technische Informationen erhalten Sie über unsere Niederlassungen. Informationen unter: www.vermeiren.de, www.vermeiren.at, www.vermeiren.ch.
- Gli elenchi di controllo di manutenzione e ulteriori informazioni tecniche sono disponibili presso le nostre filiali. Per informazioni consultare il sito: www.vermeiren.com.
- Para un servicio de revisión o información técnica adicional, por favor, consulte a nuestros distribuidores especialistas más cercanos. Más información en nuestra página web: www.vermeiren.com.
- Po dodatkowe informacje techniczne oraz listę części zamiennych proszę się kontaktować z naszym wyspecjalizowanymi dystrybutorami w pobliżu miejsca zamieszkania. Więcej informacji na naszej stronie www.vermeiren.pl.

ITALIANO

GARANZIA CONTRATTUALE

La carrozzine manuali sono garantite 5 anni, la carrozzine ultra leggera 4 anni. Le carrozzine elettroniche, tricicli, letti e altri prodotti: 2 anno contro tutti i difetti di costruzione o di materiale (batterie 6 mesi). Multiposizioni 3 anni. Questa garanzia e' limitata alle sostituzioni di parti riconosciute difettose.

CONDIZIONI

Per far valere la garanzia, e' necessario indirizzarla al vostro distributore di fiducia che presentera' al produttore il tagliando.

RISERVE

Questa garanzia non potra' essere applicata nei seguenti casi:

- danno dovuto al cattivo ed improprio utilizzo della carrozzina,
- danno subito durante il trasporto,
- incidente o caduta,
- smontaggio, modifica, o riparazione effettuate in proprio,
- usura abituale della carrozzina,
- invio del tagliando di garanzia con la data di acquisto.



VERMEIREN



**GARANTÍA
GARANTIE
WARRANTY
GARANTIE
GARANZIA**

VERMEIREN GROUP
VERMEIRENPLEIN 1-15
B-2920 Kalmthout
Tel.: 00 32 (0)3 620 20 20
Fax: 00 32 (0)3 666 48 94
www.vermeiren.com

B

Naam/Nom/Name
Name/Nome

Adres/Adresse/Address
Adresse/Indirizzo

Woonplaats/Domicile/Home
Wohnort/Citta

E-mail

Artikel/Article/Article
Artikel/Articolo

Reeks nr./N° de série/Serie nr.
Serien-Nr./No. di serie

Aankoopdatum/Date d'achat/Date of purchase
Kaufdatum/Data di acquisto

Stempel verkoper/Timbre du vendeur
Dealer stamp/Händlerstempel
Timbro del rivenditore

A

Nombre/Nom/Name
Name/Nome

Dirección/Adresse/Address
Adresse/Indirizzo

Ciudad/Domicile/Home
Wohnort/Citta

E-mail

Artículo/Article/Article
Artikel/Articolo

Núm. de serie/N° de série/Serie nr.
Serien-Nr./No. di serie

Fecha de adquisición/Date d'achat/Date of purchase
Kaufdatum/Data di acquisto

Sello del distribuidor /Timbre du vendeur
Dealer stamp/Händlerstempel
Timbro del rivenditore

ESPAÑOL

CONTRATO DE GARANTÍA

Garantía de 5 años para sillas de ruedas estándar. Garantía de 4 años para las sillas de ruedas ligeras. Garantía de 2 años para las sillas de ruedas electrónicas, triciclos, camias y otros productos. (las baterías tienen una garantía de 6 meses). Garantía de 3 años para las sillas de ruedas multi-posición. Esta garantía se limita a la sustitución de las piezas defectuosas o recambios.

CONDICIONES DE APLICACIÓN

Para reclamar esta garantía, debe entregar a su distribuidor oficial de Vermeiren el apartado "B" de esta tarjeta. La garantía sólo es válida cuando las piezas son sustituidas por Vermeiren Bélgica.

EXCEPCIONES

Esta garantía no es válida en caso de:

- Daños debidos a un uso incorrecto de la silla de ruedas.
- Daños durante el transporte.
- Involucración en un accidente.
- Desmontaje, modificación o reparación que no haya sido realizada por nuestra compañía y / o distribuidor oficial de Vermeiren.
- Desgaste normal de la silla de ruedas.
- Que no se entregue la tarjeta de garantía

FRANCAIS

GARANTIE CONTRACTUELLE

Les fauteuils manuels standard sont garantis 5 ans, les fauteuils ultra légers 4 ans. Les fauteuils électroniques, tricycloès, lits et d'autres produits: 2 ans contre tous vices de construction ou de matériaux (batteries 6 mois).

Cette garantie est expressément limitée au remplacement des éléments ou pièces détachées reconnues défectueuses.

CONDITIONS D'APPLICATION

Pour prétendre à cette garantie, il faut présenter le certificat de garantie que vous avez conservé à votre distributeur Vermeiren. La garantie est uniquement valable au siège de la société.

RESERVES

Cette garantie ne pourra être appliquée en cas de:

- dommage dû à la mauvaise utilisation du fauteuil,
- endommagement pendant le transport,
- accident ou chute,
- démontage, modification ou réparation fait en dehors de notre société,
- usure normale du fauteuil,
- non retour du coupon de garantie.

ENGLISH

CONTRACTUAL WARRANTY

We offer 5 years of warranty on standard wheelchairs, lightweight wheelchairs 4 years. Electronic wheelchairs, tricycles and other products: 2 years (batteries 6 months) and multiposition wheelchairs 3 years. This warranty is limited to the replacement of defective or spare parts.

APPLICATION CONDITIONS

In order to claim its warranty, part "B" of this card has to be given to your official Vermeiren dealer. The warranty is only valid when parts are replaced by Vermeiren in Belgium.

EXCEPTIONS

This warranty is not valid in case of:

- damage due to incorrect usage of the wheelchair,
- damage during transport,
- involvement in an accident,
- a dismount, modification or repair carried outside of our company and/or official Vermeiren dealership,
- normal wear of the wheelchair,
- non-return of the warranty card

DEUTSCH

GARANTIEERKLÄRUNG

Wir garantieren, dass für unsere Rollstühle hochwertige Produkte verwendet werden, die in sorgfältiger Verarbeitung nach dem neuesten Stand der Technik montiert werden. Bevor Ihr Rollstuhl unser Werk verlassen hat, wurde er einer eingehenden Endkontrolle unterzogen, um auch letzte, eventuell vorhandene Mängel aufzuspüren.

Auf Standardrollstühle gewähren wir eine Garantie von 5 Jahren, auf Leichtgewichtsrollstühle 4 Jahre, auf elektronische Rollstühle, Dreiräder, Betten und andere Produkte: 2 Jahre (Batterien 6 Monate), auf Multifunktionsrollstühle 3 Jahre.

In dieser Garantie eingeschlossen sind alle Mängel, die auf einen Produkt- oder Verarbeitungsfehler zurückzuführen sind. Dieser Garantie unterliegen keine Schäden aus unsachgemäßer Benutzung. Ebenfalls sind Verschleißteile von der Garantie ausgenommen.

Sollte einmal der Fall eingetreten sein, dass Sie aus berechtigtem Grunde mit Ihrem Rollstuhl unzufrieden sind, so wenden Sie sich bitte unverzüglich an Ihren Fachhändler. Er wird sich in enger Zusammenarbeit mit uns darum bemühen, eine für Sie zufriedenstellende Lösung zu finden.

A

- Por favor entéguelo en el plazo de 8 días a partir de la fecha de compra o registre su producto en nuestra página web, <http://www.vermeiren.be/registration>

- à renvoyer dans les 8 jours après achat ou régistrez votre produit sur notre site, <http://www.vermeiren.be/registration>

- please return within 8 days of date of purchase or register your product at our website, <http://www.vermeiren.be/registration>

- zurückschicken innerhalb von 8 Tagen nach Kauf oder registrieren Sie Ihr Produkt auf unserer Website, <http://www.vermeiren.be/registration>

- da restituire entro 8 giorni dalla data di acquisto o registrarli il vostro prodotto al nostro web site, <http://www.vermeiren.be/registration>

B

- en caso de reparación, por favor, añada el apartado "B".
- en cas de réparation, veuillez ajouter la carte "B".
- in case of repair, please add part "B".
- im Falle einer Reparatur, Karte "B" beifügen
- in case di riparazione, rispiediteci la carta "B".

VERMEIREN GROUP
Vermeirenplein 1/15
B-2920 Kalmarhout
BELGIUM



Belgium

N.V. Vermeiren N.V.

Vermeirenplein 1 / 15
B-2920 Kalmthout
Fax: +32(0)3 666 48 94
website: www.vermeiren.be
e-mail: info@vermeiren.be

France

Vermeiren France S.A.

Z. I., 5, Rue d'Ennevelin
F-59710 Avelin
Tel: +33(0)3 28 55 07 98
Fax: +33(0)3 20 90 28 89
website: www.vermeiren.fr
e-mail: info@vermeiren.fr

Italy

Vermeiren Italia

Viale delle Industrie 5
I-20020 Arese MI
Tel: +39 02 99 77 07
Fax: +39 02 93 58 56 17
website: www.vermeiren.it
e-mail: info@vermeiren.it

Poland

Vermeiren Polska Sp. z o.o

ul. Łączna 1
PL-55-100 Trzebnica
Tel: +48(0)71 387 42 00
Fax: +48(0)71 387 05 74
website: www.vermeiren.pl
e-mail: info@vermeiren.pl

Czech Republic

Vermeiren ČR S.R.O.

Nádražní 132
702 00 Ostrava 1
Tel: +420 596 133 923
Fax: +420 596 121 976
website: www.vermeiren.cz
e-mail: info@vermeiren.cz

Germany

Vermeiren Deutschland GmbH

Wahlerstraße 12 a
D-40472 Düsseldorf
Tel: +49(0)211 94 27 90
Fax: +49(0)211 65 36 00
website: www.vermeiren.de
e-mail: info@vermeiren.de

Austria

Vermeiren Austria GmbH

Schärdinger Strasse 4
A-4061 Pasching
Tel: +43(0)7229 64900
Fax: +43(0)7229 64900-90
website: www.vermeiren.at
e-mail: info@vermeiren.at

Switzerland

Vermeiren Suisse S.A.

Eisenbahnstrasse 62
3645 Gwatt (Thun)
Tel: +41(0)33 335 14 75
Fax: +41(0)33 335 14 67
website: www.vermeiren.ch
e-mail: info@vermeiren.ch

Spain / Portugal

Vermeiren Iberica, S.L.

Carratera de Cartellà, Km 0,5
Sant Gregori Parc Industrial Edifici A
17150 Sant Gregori (Girona)
Tel: +34 972 42 84 33
Fax: +34 972 40 50 54
website: www.vermeiren.es
e-mail: info@vermeiren.es

Manufacturer

Vermeiren GROUP

Vermeirenplein 1 / 15
B-2920 Kalmthout
Tel: +32(0)3 620 20 20
Fax: +32(0)3 666 48 94
website: www.vermeiren.be
e-mail: info@vermeiren.be