

# User manual

MANUEL D'UTILISATION  
GEBRUIKSAANWIJZING  
GEBRAUCHSANWEISUNG  
MANUALE DI ISTRUZIONI  
MANUAL DE INSTRUCCIONES  
INSTRUKCJA OBSŁUGI  
NÁVOD K OBSLUZE

## Bobby



**EN**

**Instructions for specialist dealer**

This instruction manual is part and parcel of the product and must accompany every product sold.

Version: B, 2022-07

**FR**

**Instructions pour les distributeurs**

Ce manuel d'instructions fait partie du produit et doit accompagner chaque produit vendu.

Version : B, 2022-07

**NL**

**Instructies voor de vakhandelaar**

Deze handleiding is deel van het product en dient bij iedere product te worden geleverd.

Versie: B, 2022-07

**DE**

**Hinweise für den Fachhändler**

Diese Gebrauchsanweisung ist Bestand-teil des Produkts und ist bei jeder Produkts auszuhändigen.

Version: B, 2022-07

**IT**

**Istruzioni per il rivenditore**

Il presente Manuale di istruzioni è parte integrante del prodotto e deve essere fornito assieme alla prodotto.

Versione: B, 2022-07

**ES**

**Instrucciones destinadas a los distribuidores especializados**

El presente manual de instrucciones es parte integrante del producto y se debe adjuntar a todas las producto que se vendan.

Versión: B, 2022-07

**PL**

**Instrukcje dla wyspecjalizowanego sprzedawcy**

Niniejsza instrukcja obsługi jest nieodłączną częścią produktu i musi być dołączona do każdego sprzedawanego produktu.

Wersja: B, 2022-07

**CS**

**Pokyny pro specializovaného prodejce**

Tento návod k obsluze je součástí dodávky a musí být součástí každého prodaného produktu.

Verze: A, 2022-07

**All rights reserved, including translation.**

**Tous droits réservés, y compris la traduction.**

**Alle rechten, inclusief vertaling, voorbehouden.**

**Alle Rechte, auch an der Übersetzung, vorbehalten.**

**Tutti i diritti riservati (anche sulla traduzione).**

**Todos los derechos reservados, incluidos los de la traducción.**

**Wszelkie prawa zastrzeżone, łącznie z tłumaczeniem.**

**Všechna práva vyhrazena, včetně překladu.**

## Contents

<b>Contents</b> .....	<b>1</b>
<b>Preface</b> .....	<b>2</b>
<b>1 Your product</b> .....	<b>3</b>
<b>2 Before use</b> .....	<b>4</b>
2.1 Intended use .....	4
2.2 Explanation of symbols .....	4
2.3 General safety instructions.....	4
2.4 Transport.....	5
2.5 Folding/Unfolding the wheelchair .....	5
2.6 Storage .....	5
<b>3 Using your wheelchair</b> .....	<b>6</b>
3.1 Mounting or removing of the footrests.....	6
3.2 Folding / Unfolding the backrest.....	6
3.3 Operating the brakes.....	7
3.4 Transfer in and out the wheelchair .....	7
3.5 Riding the wheelchair.....	8
<b>4 Installation and adjustment</b> .....	<b>9</b>
4.1 Tools.....	9
4.2 Manner of delivery.....	9
4.3 Adjusting the footrests.....	9
4.5 Adjust the brakes .....	10
<b>5 Maintenance</b> .....	<b>11</b>
5.1 Points of maintenance.....	11
5.2 Maintenance instructions .....	11
5.3 Troubleshooting .....	12
5.4 Expected lifespan.....	12
5.5 Reuse.....	12
5.6 End of use .....	12
<b>6 Technical specifications</b> .....	<b>13</b>

## Preface

Congratulations! You are now owner of a Vermeiren wheelchair!

This wheelchair is made by qualified and committed personnel. It is designed and produced according to high quality standards, guarded by Vermeiren.

Please read this manual carefully; it will help you to get familiar with the operation, capabilities and limitations of your wheelchair. If you still have questions after reading this manual, do not hesitate to contact your specialist dealer. He/she will be glad to help you.

### Important note

To ensure your safety, and to prolong the lifetime of your product, please take good care of it and have it checked and serviced on a regular basis.

This manual reflects the latest product developments. Vermeiren has the right to implement changes to this type of product without any obligation to adapt or replace similar products previously delivered.

Pictures are used to clarify the instructions in this manual. Details of the depicted product may deviate from your product.

### Information available

On our website <http://www.vermeiren.com/> you will always find the most recent version of the information in this manual. Please consult this website regularly for possible updates.

Visually impaired people can download the electronic version of this manual and have it read out by means of a text-to-speech software application.



User manual

For user and specialist dealer



Service manual for wheelchairs

For specialist dealer



EC declaration of conformity

# 1 Your product



1. Cross
2. Handgrips
3. Backrests
4. Arm pads
5. Armrests
6. Driving wheels (rear wheels)
7. Brakes
8. Tip cap
9. Steering wheels (front wheels)
10. Footrests
11. Footplates
12. Seat
13. Location identification plate

## 2 Before use

### 2.1 Intended use

In this paragraph a brief description of the intended use of your wheelchair is given. Additionally, relevant warnings are added to the instructions in the other paragraphs. In this way we would like to make you aware of the possible misuse that may appear.

- Indications and contraindications: The user has the wheelchair pushed by an attendant. The wheelchair is intended for people with walking difficulties, to be used non-permanently and for transport purposes. The different types of fittings and accessories, and the modular construction allow full use by aged persons.
- The wheelchair is suited for indoor and outdoor use.
- The wheelchair is designed to transport one (1) person with a maximum weight of 115 kg. It is not designed for transportation of goods or objects, nor for any use other than previously described.
- Only use accessories and spare parts approved by Vermeiren.
- Please read all technical details and limits of your wheelchair in chapter 6.
- The warranty of this product is based on normal use and maintenance as described in this manual. Damage to your product caused by improper use or lack of maintenance will cause the warranty to lapse.

### 2.2 Explanation of symbols



Maximum weight of the user in kg



Indoor/outdoor use



Maximum safe slope in ° (degrees).



Type designation

### 2.3 General safety instructions

- Do not use your wheelchair if you are under influence of alcohol, medicines or other substances that may influence your riding abilities.
- Be aware that some parts of your wheelchair may get very hot or cold due to ambient temperature, solar radiation or heating devices. Be careful when touching. Wear protective clothing if the weather is cold. When going outdoors, riding gloves can be used to improve the grip on the hand rims.
- Do not modify your wheelchair in any way.
- To prevent injury and/or damage to your wheelchair, make sure that no objects and/or body parts are caught in the spokes of the driving wheels.

Be aware that your wheelchair may interfere with some types of anti-theft systems, depending on the settings used. This may cause the shop's alarm to go off.

In case a serious incident has occurred involving your product, notify Vermeiren or your specialist dealer as well as the competent authority in your country.

## 2.4 Transport

### 2.4.1 Moving out of the way

The best way to move the wheelchair is to make use of the wheels and roll the wheelchair.

If this is not possible (e.g. when the rear wheels are taken off for transportation in a car), firmly grasp the frame on the front and the handgrips. Do not use the foot- or armrests or the wheels to grasp the wheelchair.

### 2.4.2 Transport by vehicle, as luggage


 **WARNING** Risk of injury

- Do NOT use your wheelchair as a seat in a vehicle, see the following symbol.
- Make sure that the wheelchair is properly secured to avoid injury to the passengers during collision or sudden braking.
- NEVER use the same seatbelt to attach the wheelchair and passenger.



1. Fold the wheelchair to its most compact size according to the instructions in § 2.5.
2. Store the wheelchair and its wheels in the luggage compartment or behind the passenger seat. If luggage and passenger compartments are NOT separated or enclosed, fasten the wheelchair frame securely to the vehicle.

## 2.5 Folding/Unfolding the wheelchair

 **CAUTION** Chance of pinching – Do not place fingers between the components of the wheelchair.

*To fold:*

1. Fold or remove the footplates (see § 3.1).
2. Fold the backrest (see §3.2).
3. Take the seat on the front side and backside and pull it up.
4. Push the handgrips to fold up the wheelchair further.

*To unfold:*

1. Position yourself behind the wheelchair.
2. Unfold the backrest (see §3.2).
3. Use the handgrips to open the wheelchair as much as possible.
4. Position yourself at the front of the wheelchair.
5. Push both seating tubes down until they are fixed in position.

## 2.6 Storage

- i** Make sure that your wheelchair is stored in a dry environment to prevent mould from growing and the upholstery from being damaged, see also chapter 6.

### 3 Using your wheelchair



CAUTION

Risk of injuries and/or damage

- First read previous chapters and inform yourself about the intended use. Do NOT use your wheelchair unless you have read and fully understood all instructions.
- In case of doubts or questions, do not hesitate to contact your local specialist dealer, your care provider or technical adviser to help you with this.
- Make sure that your hands, clothes, belts, buckles or jewellery don't get caught by wheels or other moving parts, during use or adjustment.

#### 3.1 Mounting or removing of the footrests



CAUTION

Risk of injury

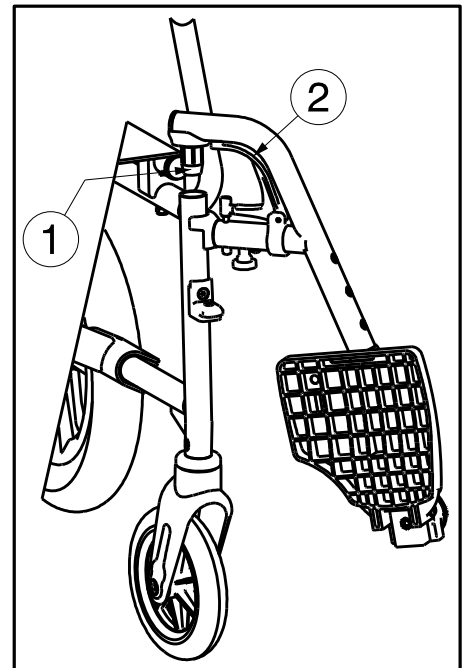
- Check that the footrests are securely locked in place before use.
- Keep objects away from the footrests swing range while mounting or removing the footrests.

The mounting of the footrests is done as follows:

1. Hold the footrest sideways at the outside of the wheelchair frame and mount the tube hood (1) into the frame.
2. Swing the footrest inwards until it clicks in position.
3. Swing the footplate downwards.

To take off the footrests:

1. Pull lever (2).
2. Swing the footrest to the outside of the wheelchair until it comes loose from the guidance.
3. Pull the footrest from tube hood (1).

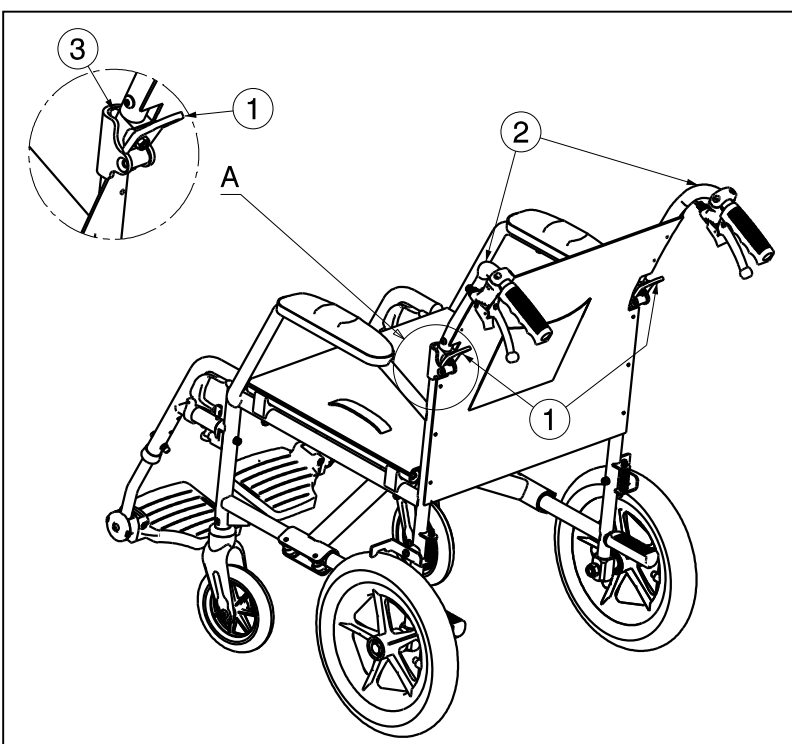


#### 3.2 Folding / Unfolding the backrest



WARNING

Risk of injury – Check that the backrest is securely locked in place before use.



Folding the backrest is done as follows:

1. Pull on the levers ① until the pin ③ comes out the hole.
2. Pull the upper backrest tubes ② downwards until the backrest is fully folded.

To unfold the backrest:

1. Pull the backrest tubes ② upwards until the backrest is firmly secured.
2. Check that the backrest is locked in place.



### 3.3 Operating the brakes

 **WARNING** Risk of injury

- The brakes are not used to slow down the wheelchair during movements. Use the brake only to prevent the wheelchair from unintended movements.
- Good operation of the brakes is influenced by wear and contamination of the tires (water, oil, mud, ...). Check the condition of the tires before each use.
- The brakes are adjustable and can wear. Check the operation of the brakes before each use.
- Make sure the wheelchair is on a flat horizontal surface before releasing the brakes. Never release both brakes simultaneously.

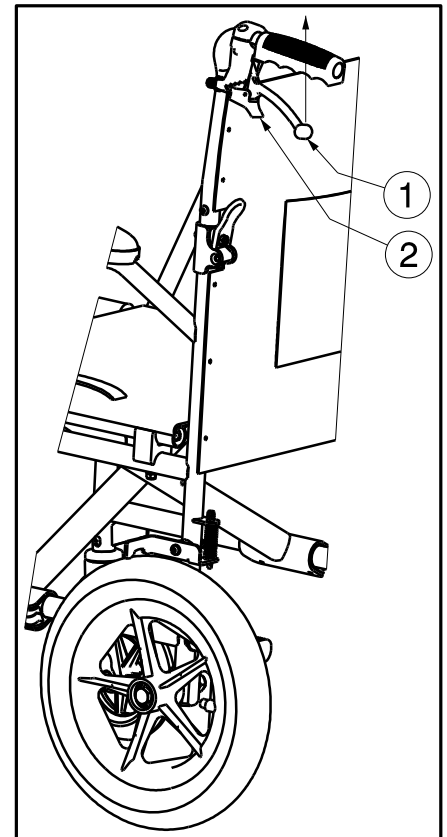
The brakes can only be activated by the attendant.

*To apply the brakes:*


1. Pull the brake levers (1) upwards.
2. Push on part (2) to block the brakes.

*To release the brakes:*

1. First release part (2).
2. Release the brake levers (1).



### 3.4 Transfer in and out the wheelchair

 **WARNING** Risk of injury and/or damage

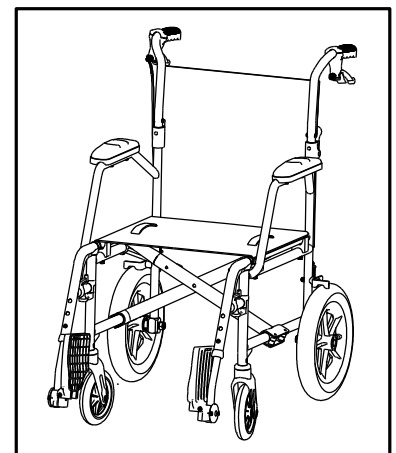
- In case you cannot perform the transfer in a safe manner, ask someone to assist you.
- Do not stand on the footplates.

1. Position the wheelchair as close as possible to the chair, couch or bed to/from you wish to transfer.
2. Check both brakes from the wheelchair are in the on position.
3. Fold the footplates upwards to prevent standing on them.
4. Transfer to/from the wheelchair.

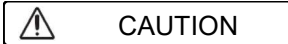
#### 3.4.1 Correct position in the wheelchair

Some recommendations for a comfortable use of the wheelchair:

- Position your backside as close as possible to the backrest.
- Make sure your upper legs are horizontal. If needed, adjust the length of the footrests (see § 4.3).



### 3.5 Riding the wheelchair



Risk of injuries and damage

- Before every usage, make sure that:
  - parking brakes are working properly.
  - tires are in good condition, see §5.
- Prevent your fingers from being caught by the wheel spokes.
- Do NOT drive on slopes, obstacles, steps or kerbs larger than specified in §6.
- When you stop on a (small) slope, use your brakes.
- Make sure all four wheels touch the ground while riding up or down a slope.
- Take slopes as slow as possible.
- Always stay on the pavement when riding on public roads.
- Pay attention if the road has holes or gaps that may cause entrapment of the wheels.
- Avoid stones and other objects that may block the wheels.
- Make sure that the footplates do not touch ground while taking an obstacle.
- Do not use your wheelchair on an escalator.
- If available, wear your safety belt.
- Always keep the swing range of the footplate in mind to prevent bystanders from being injured or objects from being damaged.
- Stairs should always be negotiated with the help of two attendants.
- Never try to use stairs that are not appropriate for wheelchairs.

## 4 Installation and adjustment

The instructions in this chapter are for the specialist dealer.

The Vermeiren Bobby has been designed for short trips and easy transfer.

To find a service facility or specialist dealer near you, contact the nearest Vermeiren facility.

 **WARNING** Risk of injuries and damage

- Use only the settings described in this manual.
- Variation of allowed adjustments can still change the stability of your wheelchair (tilt back or sideways).

### 4.1 Tools

To set up the wheelchair the following tools are needed.


- Wrench set n° 10
- Allen key set n° 4
- Screwdriver Phillips head

### 4.2 Manner of delivery

The Vermeiren Bobby shall be delivered with:

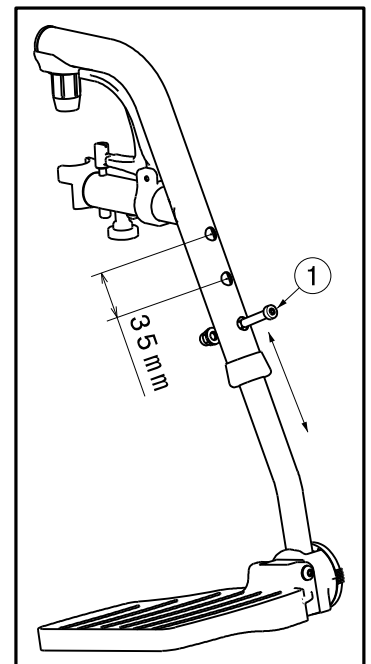
- 1 frame with armrests, rear and front wheels
- 1 pair footrests
- Tools
- Manual
- Accessories (optional)

### 4.3 Adjusting the footrests

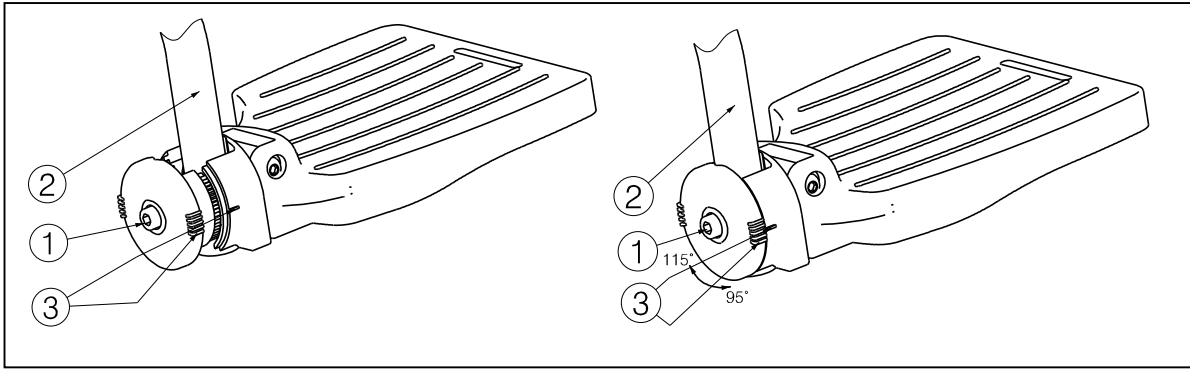
 **CAUTION** Risk of damage – Avoid that the footrests make any contact with the ground. Keep a minimum distance from 60 mm above the ground.

Adjust the length of the footrests as follow (3 holes on inside tube, 3 holes on outside tube ; 120mm range):

1. Remove the screw (1).
2. Adjust the length of the footrest to a comfortable length.
3. Tighten the screw (1) properly.




### 4.4.1 Adjusting angle footplates

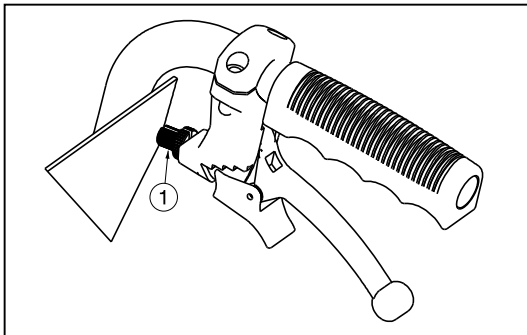


Adjust the angle of the footplates as follow:

1. Loosen bolt ①.
2. Adjust tube ② in the desired angle. The angle indication (95°-100°-105°-110°-115°) is according the dashes ③.
3. Retighten the bolt ①.

### 4.5 Adjust the brakes

 **WARNING** Risk of injury – Brakes may only be adjusted by your specialist dealer.



1. Turn on part ① to adjust the tension of the brakes.
2. Check working of the brakes.
3. If necessary repeat turning part ① until the brakes are adjusted well.

## 5 Maintenance

### 5.1 Points of maintenance

 CAUTION Risk of injuries and damage

Repairs and replacements may only be undertaken by trained persons and only genuine replacement parts of Vermeiren should be used.

**i** The last page of this manual contains a registration form for the specialist dealer to record each service.

The service frequency depends on the frequency and intensity of use. Contact your dealer to agree to a common timetable for inspection/maintenance/repair.

For the maintenance manual, refer to the Vermeiren website: [www.vermeiren.com](http://www.vermeiren.com).

#### *Before each use*

Inspect the following points:

- All parts: Present and undamaged or unworn.
- All parts: Clean, see § 5.2.2.
- Wheels, backrest, seat, calf rests, arm rests, footplate: Well secured.
- Condition of wheels/tyres, see § 5.2.1;
- Condition of frame parts: No deformation, instability, weakness or loose connections
- Seat, backrest, arm pads, calf pads and head rest (if applied): No excessive wear (like dented spots, damage or tears).
- Brakes: Undamaged and functioning

Contact your specialist dealer for possible repairs or part replacements.

#### *Yearly or more often*

Have your wheelchair inspected and serviced by your specialist dealer, at least once a year, or more often. The minimum maintenance frequency depends on use and should therefore be commonly agreed on with your specialist dealer.

### 5.2 Maintenance instructions

#### 5.2.1 Wheels and tyres

**i** Proper working of the brakes depends on the state of the tyres, and can change due to wear and contamination (water, oil, mud, ...).

Keep your wheels free of wires, hair, sand and fibres.

Check the profile of the tyres. If the tread depth is less than 1 mm, the tyres need to be replaced. Contact your specialist dealer for this matter.

#### 5.2.2 Cleaning

 CAUTION Risk of damage by moisture

- Never use a hose or high-pressure cleaner to clean the wheelchair.

Wipe all rigid parts of the wheelchair with a damp cloth (not drenched). If necessary, use a mild soap, suitable for varnishes and synthetics.

The upholstery can be cleaned with lukewarm water and a mild soap. Do not use abrasive cleaning agents to clean.



### 5.2.3 Disinfection

CAUTION

Risk of damage

- Disinfections may only be undertaken by trained persons. Consult your specialist dealer.

## 5.3 Troubleshooting

Even if you use your wheelchair properly, a technical problem may occur. If this is the case, contact your local specialist dealer.



WARNING

Risk of injuries and damage to the wheelchair

- NEVER attempt to repair the wheelchair yourself.

The following symptoms may indicate a serious problem. Therefore always contact your specialist dealer if you spot any of the following deviations:

- Strange sound;
- Uneven tread wear on one of the tyres;
- Jerky movements;
- Wheelchair deflects to one side;
- Damaged or broken wheel assemblies.

## 5.4 Expected lifespan

The average lifespan of your wheelchair is 5 years. Depending on the frequency of use, driving circumstances and maintenance, the lifespan of your wheelchair will increase or decrease.

## 5.5 Reuse

Before each reuse, have the wheelchair disinfected, inspected and serviced according to the instructions in §5.1 and §5.2.

## 5.6 End of use

At end of life, you need to dispose your wheelchair according to the local environmental legislation. The best way to do so, is to disassemble the wheelchair to facilitate the transport of recyclable parts.

## 6 Technical specifications

The technical details below are only valid for this wheelchair, at standard settings and optimal ambient conditions. Take these details into account during use. The values are no longer applicable if your wheelchair has been modified, damaged or suffers from severe wear.

Table 1: Technical specifications

<b>Make</b>	<b>Vermeiren</b>
<b>Type</b>	<b>Manual wheelchair</b>
<b>Model</b>	<b>Bobby</b>

Description	Specifications	
Maximum occupant mass	115 kg	
Overall length with footrest	950 mm	
Effective seat width	420 mm	480 mm
Overall width (depends on the seat width)	575 mm	635 mm
Folded length without footrest	740 mm	
Folded width	270 mm	
Folded height	750 mm	
Total mass	11,00 kg	11,55 kg
Mass of heaviest part	9,40 kg	9,95 kg
Masses of parts that can be dismantled or removed	<b>Footrests: 1,60 kg</b>	
Static stability downhill	10°	
Static stability uphill	10°	
Static stability sideways	10°	
Effective seat depth	420 mm	
Seat surface height at front edge	500 mm	
Seat angle	5°	
Backrest height	380 mm	
Backrest angle	5°	
Distance between footrest and seat	370 – 500 mm	
Angle between seat and footrest	114°	
Distance between armrest and seat	220 mm	
Front location of armrest structure	315 mm	
Hand rim diameter	NA	
Horizontal location of axle (deflection)	21 mm	
Minimum turning diameter	1500 mm	
Diameter Rear wheels	12,5"	
Tyre pressure, rear (driving) wheels	NA	
Diameter Steering wheels	150 mm	
Tyre pressure, front (steering) wheels	NA	
Storage and use temperature	+ 5 °C - + 41 °C	
Storage and use humidity	30% - 70%	

**We reserve the right to introduce technical changes. Measurement tolerance ± 15 mm / 1,5 kg / 1,5°**





## Table des matières

<b>Table des matières</b> .....	<b>1</b>
<b>Préface</b> .....	<b>2</b>
<b>1 Votre produit</b> .....	<b>3</b>
<b>2 Avant l'utilisation</b> .....	<b>4</b>
2.1 Utilisation prévue.....	4
2.2 Explication des symboles.....	4
2.3 Instructions générales de sécurité.....	4
2.4 Transport.....	5
2.5 Pliage/Dépliage du fauteuil roulant.....	5
2.6 Entreposage.....	5
<b>3 Utilisation</b> .....	<b>6</b>
3.1 Placer ou enlever les repose-pieds .....	6
3.2 Pliez / dépliez le dossier.....	6
3.3 Utilisation des freins .....	7
3.4 Transfert dans et hors du fauteuil roulant.....	7
3.5 Déplacements avec le fauteuil roulant .....	7
<b>4 Installation et réglage</b> .....	<b>9</b>
4.1 Outils .....	9
4.2 Mode de livraison.....	9
4.3 Réglage des repose-pieds .....	9
4.4 Réglage de l'angle des palettes .....	10
4.5 Réglages des freins .....	10
<b>5 Entretien</b> .....	<b>11</b>
5.1 Points d'entretien .....	11
5.2 Instructions d'entretien .....	11
5.3 Résolution des problèmes.....	12
5.4 Durée de vie attendue.....	12
5.5 Réutilisation .....	12
5.6 Mise au rebut .....	12
<b>6 Spécifications techniques</b> .....	<b>13</b>

## Préface

Félicitations ! Vous êtes à présent l'heureux propriétaire d'un fauteuil roulant Vermeiren !

Ce fauteuil roulant a été fabriqué par un personnel qualifié et responsable. Il est conçu et produit conformément aux normes de qualité élevées, appliquées par Vermeiren.

Veuillez lire attentivement ce manuel. Vous pourrez ainsi vous familiariser avec le fonctionnement, les capacités et les limites de votre fauteuil roulant. Si vous avez encore des questions après la lecture de ce manuel, n'hésitez pas à prendre contact avec votre commerçant spécialisé. Il vous aidera volontiers.

### Remarque importante

Pour assurer votre sécurité et prolonger la durée de vie de votre produit, prenez-en grand soin et faites-le contrôler ou entretenir régulièrement.

Ce manuel est le reflet des derniers développements du produit. Vermeiren a le droit d'apporter des modifications à ce type de produit sans être tenu d'adapter ou de remplacer des produits similaires fournis précédemment.

Les images sont fournies afin de clarifier les instructions de ce manuel. Les détails du produit illustré peuvent diverger de votre produit.

### Informations disponibles

Sur notre site Internet <http://www.vermeiren.com/>, vous trouverez toujours la dernière version des informations décrites dans le présent manuel. Veuillez consulter régulièrement ce site Internet pour connaître les éventuelles mises à jour.

Les personnes malvoyantes peuvent télécharger la version électronique de ce manuel et la lire au moyen d'une application de texte-parole.



Manuel d'utilisation  
Pour l'utilisateur et le revendeur spécialisé



Manuel d'entretien des fauteuils roulants  
Pour le revendeur spécialisé



Déclaration de conformité CE

## 1 Votre produit



1. Croisillon
2. Poignées de poussée
3. Dossier
4. Manchettes
5. Accoudoirs
6. Roues motrices (roues arrière)
7. Freins
8. Monte trottoir supplémentaire
9. Roues directrices (roues avant)
10. Repose-pieds
11. Palettes
12. Assise
13. L'emplacement de la plaque d'identification

## 2 Avant l'utilisation

### 2.1 Utilisation prévue

Ce paragraphe vous donne une brève description de l'usage prévu de votre fauteuil roulant. Des avertissements pertinents ont également été ajoutés aux instructions dans les autres paragraphes. Nous aimerions ainsi attirer votre attention sur un usage inapproprié éventuel qui pourrait survenir.

- Indications et contre-indications Le fauteuil roulant est poussé par un accompagnateur. Le fauteuil roulant est destiné aux personnes qui ont des difficultés à marcher, pour une utilisation non permanente et pour le transport. Les différents types d'équipements et d'accessoires et la construction modulaire permettent une utilisation complète par les personnes gériatriques.
- Le fauteuil roulant est destiné à une utilisation en intérieur et en extérieur.
- Le fauteuil roulant est destiné au transport d'une seule personne d'un poids maximum de 115 kg. Il n'est pas destiné au transport de marchandises ou d'objets, ni à tout autre usage que celui décrit précédemment.
- Utilisez uniquement des accessoires et des pièces de rechange approuvés par Vermeiren.
- Consultez également les détails techniques et les limites de votre fauteuil au chapitre 6.
- La garantie sur ce produit est basée sur une utilisation et un entretien normaux, tels que décrits dans le présent manuel. Les dommages à votre produit dus à un usage inapproprié ou à un manque d'entretien auront pour effet d'annuler la garantie.

### 2.2 Explication des symboles



Poids maximum de l'utilisateur en kg



Usage à l'intérieur/extérieur



Déclivité sûre maximale en ° (degrés).



Indication du type

### 2.3 Instructions générales de sécurité

- N'utilisez pas votre fauteuil roulant si vous êtes sous l'influence de l'alcool, de médicaments ou d'autres substances qui peuvent influencer vos capacités de conduite.
- N'oubliez pas que certaines parties de votre fauteuil roulant peuvent devenir très chaudes ou très froides en fonction de la température ambiante, des rayons du soleil ou des dispositifs de chauffage. Faites donc attention lorsque vous les touchez. Portez des vêtements de protection s'il fait froid. Lorsque vous sortez, des gants peuvent être utilisés pour améliorer la prise sur les mains courantes.
- Ne modifiez en aucun cas votre fauteuil roulant.
- Lorsque vous utilisez les roues motrices, veillez à ce qu'aucun objet et/ou partie du corps ne puisse prendre dans les rayons, sous peine de blessures et/ou de dégâts à votre fauteuil roulant.

Sachez que votre fauteuil roulant peut interférer avec certains types de systèmes antivol, selon les paramètres utilisés. Cela peut déclencher l'alarme du magasin.

En cas d'incident grave impliquant votre produit, informez Vermeiren ou votre revendeur spécialisé ainsi que l'autorité compétente de votre pays.

## 2.4 Transport

### 2.4.1 Dégagement de l'espace

Le meilleur moyen de déplacer le fauteuil roulant consiste à le faire rouler sur ses roues.

Si cela n'est pas (par exemple en cas de retrait des roues arrière pour le transport dans une voiture), saisir fermement le cadre à l'avant et les poignées. Ne pas saisir le fauteuil roulant par les repose-pieds ni par les accoudoirs.

### 2.4.2 Transport par véhicule, comme bagages



AVERTISSEMENT

Risque de lésion



- N'utilisez PAS votre fauteuil roulant comme siège dans un véhicule, voir symbole suivant.
  - Vérifiez que le fauteuil roulant est bien fixé. Vous évitez ainsi des blessures des passagers en cas de collision ou de freinage brutal.
  - N'utilisez JAMAIS la même ceinture pour le fauteuil roulant et le passager.
1. Pliez le fauteuil roulant dans ses dimensions les plus compactes selon les instructions in §2.5.
  2. Entreposez le fauteuil roulant et ses roues dans le compartiment des bagages ou derrière le siège passager. Si le coffre n'est PAS séparé de l'habitacle du véhicule ou fermé, fixez fermement le fauteuil roulant dans le véhicule.

## 2.5 Pliage/Dépliage du fauteuil roulant



ATTENTION

Risque de coincement - N'insérez pas les doigts entre les éléments du fauteuil roulant.

*Pour plier le fauteuil roulant :*

1. Pliez ou retirez les repose-pieds (voir § 3.1).
2. Repliez le dossier (voir §3.2).
3. Saisissez l'avant et l'arrière du siège et tirez vers le haut.
4. Appuyez sur les poignées pour continuer à plier le fauteuil roulant.

*Pour déplier de fauteuil roulant :*

1. Placez-vous derrière le fauteuil roulant.
2. Dépliez le dossier (voir §3.2).
3. Utilisez les poignées pour ouvrir le fauteuil roulant autant que possible.
4. Placez-vous à l'avant du fauteuil roulant.
5. Poussez sur les deux tubes de l'assise vers le bas jusqu'à ce qu'ils soient fixés à leur place.

## 2.6 Entreposage



Assurez-vous que votre fauteuil roulant est entreposé dans un environnement sec pour éviter la formation de moisissure et l'endommagement du rembourrage, voir également le chapitre 6.

### 3 Utilisation



ATTENTION

Risque de blessures et/ou de dommages

- Lisez d'abord les chapitres précédents et informez-vous à propos de l'usage visé. N'utilisez PAS votre fauteuil roulant sans avoir d'abord lu et bien compris toutes les instructions.
- En cas de doutes ou de questions, n'hésitez pas à prendre contact avec votre revendeur local, votre prestataire de soins ou votre conseiller technique qui pourra vous aider.
- Assurez-vous que vos mains, vêtements, ceintures, boucles ou bijoux ne puissent pas se coincer dans les roues ou dans d'autres parties mobiles pendant l'utilisation ou le réglage.

#### 3.1 Placer ou enlever les repose-pieds



ATTENTION

Risque de blessures

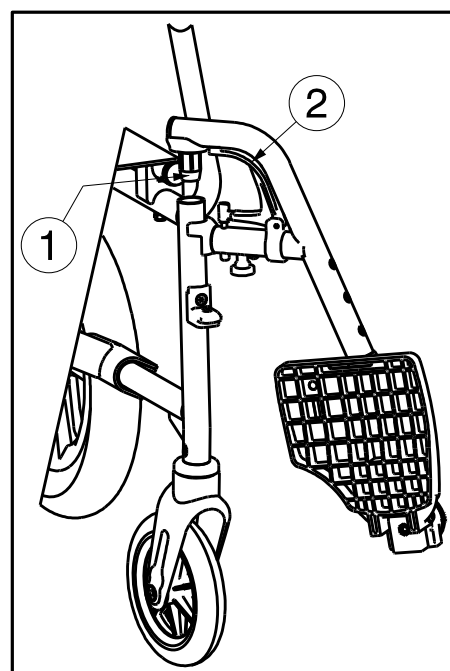
- Vérifiez que les repose-pieds sont fermement installés avant d'utiliser le fauteuil roulant.
- Ne pas placer d'objets au niveau de la partie amovible du repose-pied pendant montez ou enlevez les repose-pieds.

L'installation des repose-pieds se fait de la manière suivante :

1. Mettez le repose-pied latéralement vers l'extérieur du cadre et montez le repose-pied avec l'embout (1) dans le cadre.
2. Basculez les repose-pieds vers l'intérieur jusqu'à ce qu'il se bloque en position.
3. Tournez la palette vers le bas.

Vous devez procéder de la manière suivante pour enlever les repose-pieds :

1. Tirez le levier (2).
2. Basculez le repose-pied vers l'extérieur du fauteuil roulant jusqu'à ce qu'il soit libéré du guide.
3. Tirez le repose-pied hors du logement de tube (1).

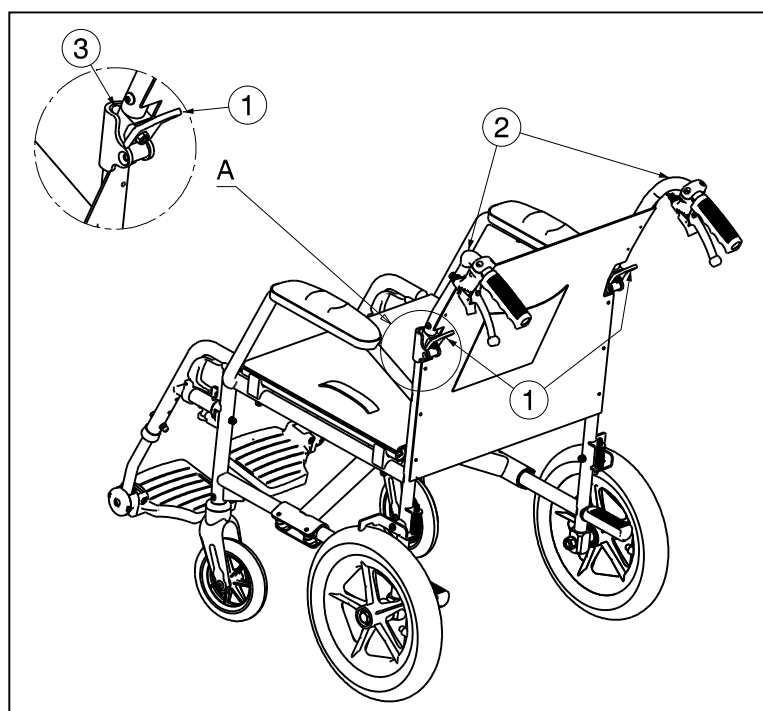


#### 3.2 Pliez / dépliez le dossier



AVERTISSEMENT

Risque de blessures – Vérifiez que le dossier sont fermement installés avant d'utiliser le fauteuil transfert.



Le pliage du dossier se fait de la manière suivante:

1. Tirez sur les leviers ①, jusqu'à ce que la broches ③ sort du trou.
2. Tirer les tubes du dossier supérieur ② vers le bas jusqu'à ce que le dossier soit complètement plié.

Pour déployer le dossier :

1. Tirer les tubes du dossier ② vers le haut jusqu'à ce que le dossier est fixé fermement.
2. Vérifiez que le dossier est fixé fermement.

### 3.3 Utilisation des freins



AVERTISSEMENT

Risque de blessures

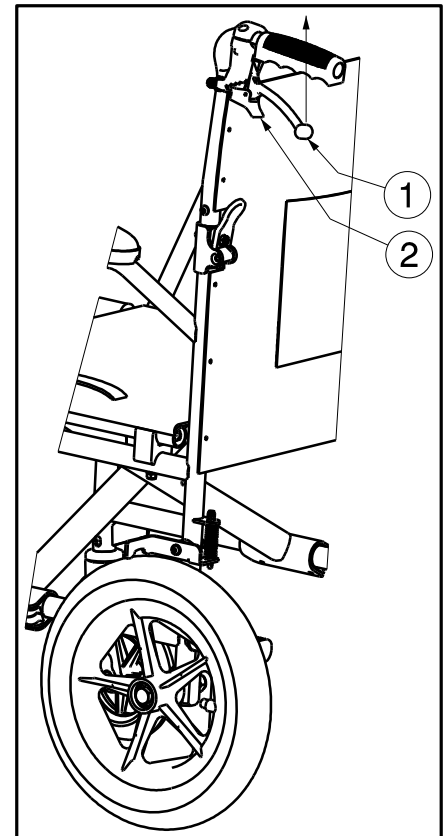
- Les freins n'ont pas pour but de ralentir le fauteuil roulant lors de déplacements. Ne les utilisez que pour éviter des mouvements non souhaités.
- L'usure et la contamination des roues (eau, huile, boue, ...) influencent de le bon fonctionnement des freins. Vérifiez l'état des roues avant chaque utilisation.
- les freins sont réglables et sont sujets à l'usure. Vérifiez leur fonctionnement avant chaque utilisation.
- Vérifiez que le fauteuil roulant se trouve sur une surface horizontale plane avant de relâcher les freins. Ne relâchez jamais les deux freins en même temps.

Les freins ne peuvent être activés par la tierce-personne.

1. Pour actionner les freins :Tirez les leviers de frein (1) vers le haut.
2. Appuyez sur la partie (2) pour bloquer les freins.

Pour relâcher les freins :

1. Premièrement libérez la partie (2).
2. Relâchez les leviers de frein (1).



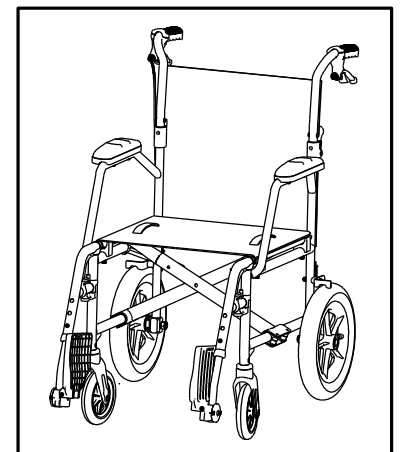
### 3.4 Transfert dans et hors du fauteuil roulant



ATTENTION

Risque de blessures et/ou dommages

- Si vous ne pouvez pas réaliser le transfert en toute sécurité, demandez à quelqu'un de vous aider.
  - Ne vous levez pas sur les palettes.
1. Placez le fauteuil roulant aussi près que possible de la chaise, du canapé ou du lit concerné par le transfert.
  2. Vérifiez que les freins du fauteuil roulant sont actionnés.
  3. Pliez les palettes vers le haut pour éviter de prendre appui sur elles.
  4. Procédez au transfert vers/depus le fauteuil roulant.



#### 3.4.1 Position correcte du fauteuil roulant

Recommandations pour une utilisation confortable du fauteuil roulant :

- Placez votre dos aussi proche que possible du dossier.
- Assurez-vous que vos cuisses soient horizontales. Réglez la longueur des repose-pieds si nécessaire (voir § 4.3).

### 3.5 Déplacements avec le fauteuil roulant



ATTENTION

Risque de blessures et de dommages

- Avant tout usage, assurez-vous que :
  - les freins de stationnement fonctionnent correctement.
  - les pneus sont en bon état, voir § 5.
- Faites attention de ne pas vous coincer les doigts dans les rayons des roues.
- Ne roulez PAS sur des pentes, obstacles, marches ou bordures plus larges que la dimension décrite au § 6.
- Lorsque vous vous arrêtez sur une (petite) pente, utilisez vos freins.

- Assurez-vous que les quatre roues touchent le sol lorsque vous montez ou descendez une pente.
- Abordez les pentes aussi lentement que possible.
- Restez toujours sur le trottoir lorsque vous roulez sur la voie publique.
- Faites attention s'il y a des trous ou des fissures dans la route qui peuvent coincer les roues.
- Évitez les pierres et autres objets pouvant bloquer les roues.
- Assurez-vous que les palettes repose-pieds ne touchent pas le sol lorsque vous abordez un obstacle.
- N'utilisez pas votre fauteuil roulant sur un escalier mécanique.
- Si disponible, portez votre ceinture de sécurité.
- Tenez toujours compte de l'amplitude de la palette repose-pied pour ne pas blesser les personnes ou endommager les objets aux alentours.
- Les escaliers doivent toujours être franchis à l'aide de deux accompagnateurs.
- N'essayez jamais d'emprunter des escaliers qui ne sont pas appropriés pour les fauteuils roulants.




## 4 Installation et réglage

**Les instructions de ce chapitre sont destinées au distributeur.**

Le Bobby est conçu pour les courts trajets et les transferts faciles.

Pour trouver un service d'entretien ou un revendeur spécialisé près de chez vous, contactez l'établissement Vermeiren le plus proche.

 **AVERTISSEMENT** Risque de blessures et de dommages

- N'utilisez que les réglages décrits dans ce manuel.
- Des variations des réglages autorisés peuvent influencer la stabilité de votre fauteuil roulant (le faire basculer vers l'arrière ou sur le côté)

### 4.1 Outils

Les outils suivants sont requis pour le montage du fauteuil roulant.


- Jeu de clés de 10
- Jeu de clés Allen de 4
- Tournevis à tête Phillips

### 4.2 Mode de livraison

Le produit Vermeiren Bobby est livré de la manière suivante :

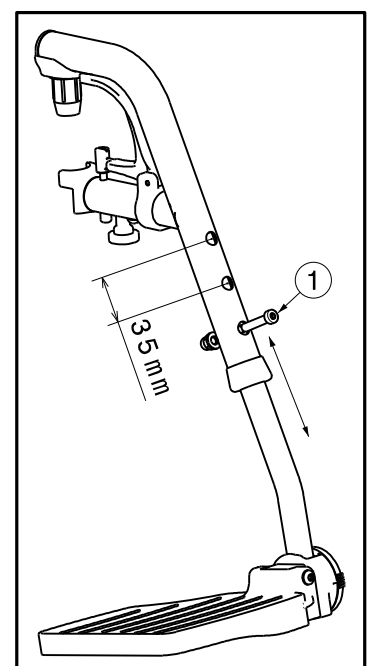
- 1 châssis avec des accoudoirs, des roues avant et arrière
- 1 paire de repose-pieds
- Outils
- Mode d'emploi
- Accessoires (en option)

### 4.3 Réglage des repose-pieds

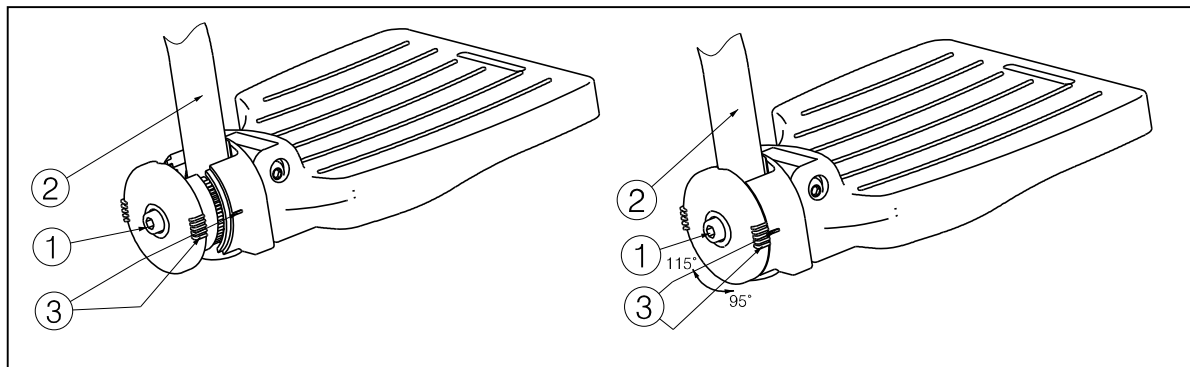
 **ATTENTION** Risque de dommage, évitez tout contact entre les repose-pieds et le sol. Conservez une distance minimale de 60 mm au-dessus du sol.

Régalez la longueur des repose-pieds de la manière suivante (3 trous sur le tube intérieur, 3 trous sur le tube extérieur ; portée de 120mm) :

1. Enlevez la vis (1).
2. Régalez la longueur du repose-pied pour une assise confortable.
3. Serrez à nouveau bien la vis (1).



## 4.4 Réglage de l'angle des palettes



Pour régler l'angle des palettes, vous devez procéder de la manière suivante :

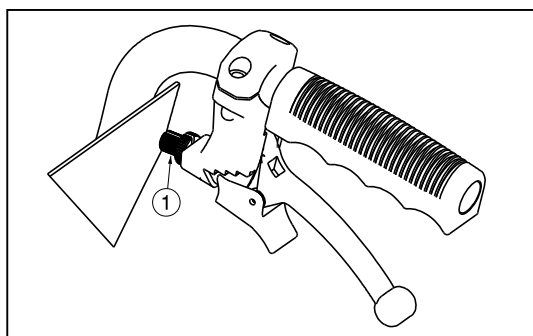
1. Desserrez le boulon ①.
2. Réglez le tube ② à l'angle souhaité. L'indication d'angle (95°, 100°, 105°, 110°, 115°) correspond aux petits traits ③.
3. Resserrez le boulon ①.

## 4.5 Réglages des freins



**AVERTISSEMENT**

Danger de lésion - Faites régler les freins par un commerçant spécialisé et agréé.



1. Tournez la partie ① pour ajuster la tension des leviers.
2. Contrôlez le fonctionnement des freins.
3. Si nécessaire, répétez la partie ① jusqu'à ce que les freins soient bien réglés.

## 5 Entretien

### 5.1 Points d'entretien



ATTENTION

Risque de blessures et de dommages

Les réparations et les remplacements ne peuvent être réalisés que par des personnes formées, et seules des pièces de remplacement d'origine de Vermeiren peuvent être utilisées.



La dernière page de ce manuel contient un formulaire d'enregistrement pour permettre au revendeur spécialisé de consigner chaque service.

La fréquence d'entretien dépend de la fréquence et de l'intensité de l'utilisation. Prenez contact avec votre commerçant pour convenir d'un rendez-vous pour une inspection/un entretien/une réparation.

Le mode d'entretien se trouve sur le site Internet de Vermeiren : [www.vermeiren.com](http://www.vermeiren.com).

#### *Avant chaque utilisation*

Inspectez les points suivants :

- Toutes les pièces : Présentes et sans dommage ni usure.
- Toutes les pièces : Propres, voir § 5.2.2.
- Roues, dossier, siège, repose-jambes, accoudoirs, palette repose-pieds : Bien serrés.
- État des roues/pneus, voir § 5.2.1.
- État des pièces du cadre : Pas de déformation, d'instabilité, de faiblesse ou de connexions desserrées.
- Siège, dossier, manchettes, repose-jambes et appuie-tête (si applicable) : Pas d'usure excessive (bosses, dommages ou déchirures).
- Freins : Non endommagés et fonctionnant

Contactez votre commerçant spécialisé pour les réparations et les remplacements de pièces éventuels.

#### *Chaque année ou plus souvent*

Faites inspecter et entretenir votre fauteuil roulant par votre revendeur spécialisé au moins une fois par an, ou plus. La fréquence d'entretien minimale dépend de l'usage et doit être déterminée de commun accord avec votre commerçant spécialisé.

### 5.2 Instructions d'entretien

#### 5.2.1 Roues et pneus



Un fonctionnement correct des freins dépend de l'état des pneus, qui peut changer en raison de l'usure et de la contamination (eau, huile, boue...).

Éliminez les fils, cheveux, le sable et les fibres de vos roues.

Vérifiez le profil des pneus. Si la profondeur de la sculpture est inférieure à 1 mm, les pneus doivent être remplacés. Prenez contact avec votre revendeur spécialisé à ce propos.

#### 5.2.2 Nettoyage

ATTENTION

Risque de dommages dus à l'humidité

- N'utilisez jamais un tuyau ou un nettoyeur à haute pression pour nettoyer le fauteuil roulant.

Essuyez toutes les parties rigides du fauteuil roulant avec un chiffon humide (pas détrempe). Si nécessaire, utilisez un savon doux, approprié pour les laques et les synthétiques.

Le rembourrage peut être nettoyé à l'eau tiède additionnée de savon doux. N'utilisez pas de produits de nettoyage abrasifs.

### 5.2.3 Désinfection

ATTENTION

Risque de dommages

- La désinfection ne peut être réalisée que par des personnes qualifiées. Renseignez-vous auprès de votre revendeur spécialisé à cet égard.

## 5.3 Résolution des problèmes

Même si vous utilisez votre fauteuil roulant de façon appropriée, les problèmes techniques ne sont pas exclus. Dans ce cas, contactez votre local revendeur spécialisé.



AVERTISSEMENT

Risque de blessures et de dommages au fauteuil roulant

- N'essayez JAMAIS de réparer le fauteuil roulant vous-même.

Les symptômes suivants peuvent indiquer un problème grave. Par conséquent, prenez toujours contact avec votre revendeur spécialisé si vous détectez l'une des anomalies suivantes :

- Bruit anormal ;
- Usure inégale sur la sculpture de l'un des pneus ;
- Mouvements saccadés ;
- Le fauteuil roulant dévie d'un côté ;
- Ensembles de roues endommagés ou cassés.

## 5.4 Durée de vie attendue

La durée de vie moyenne de votre fauteuil roulant est de 5 ans. Elle augmentera ou diminuera suivant la fréquence d'utilisation, les conditions de conduite et l'entretien.

## 5.5 Réutilisation

Avant chaque réutilisation, faites désinfecter, inspecter et entretenir le fauteuil roulant conformément aux instructions du §5.1 et du §5.2.

## 5.6 Mise au rebut

À la fin de sa durée de vie, votre fauteuil roulant doit être évacué conformément à la législation environnementale locale. Il est recommandé de démonter le fauteuil roulant afin de faciliter le transport des matériaux recyclables.

## 6 Spécifications techniques

Les détails techniques ci-dessous concernent uniquement ce fauteuil roulant, avec des réglages standard et dans des conditions ambiantes optimales. Veuillez tenir compte de ces détails pendant l'utilisation. Les valeurs ne sont plus valables si votre fauteuil roulant a été modifié, endommagé ou présente une usure sérieuse.

Tableau 1 : Caractéristiques techniques

Marque	Vermeiren	
Type	Fauteuil roulant manuel	
Modèle	Bobby	
Description	Caractéristiques	
Poids max. du patient	115 kg	
Longueur totale avec repose-pied	950 mm	
Largeur d'assise efficace	420 mm	480 mm
Largeur totale (en fonction de la largeur d'assise)	575 mm	635 mm
Longueur plié sans repose-pied	740 mm	
Largeur pliée	270 mm	
Hauteur plié	750 mm	
Masse totale	11,00 kg	11,55 kg
Masse de la partie la plus lourde	9,40 kg	9,95 kg
Des masses de pièces qui peuvent être démontés ou retirées	<b>Repose-pieds : 1,60 kg</b>	
Stabilité statique en descente	10°	
Stabilité statique en montée	10°	
Stabilité statique latérale	10°	
Profondeur d'assise efficace	420 mm	
Hauteur de la surface d'assise sur le bord avant	500 mm	
Angle du plan d'assise	5°	
Hauteur du dossier	380 mm	
Angle du dossier	5°	
Distance entre le repose-pied et le siège	370 – 500 mm	
Angle entre le repose-pied et le siège	114°	
Distance entre l'accoudoir et le siège	220 mm	
Emplacement avant de la structure de l'accoudoir	315 mm	
Diamètre de la main-courante	Non applicable	
Emplacement horizontal de l'essieu (flèche)	21 mm	
Diamètre de braquage minimum	1500 mm	
Diamètre des roues arrières	12,5"	
Pression des pneus, roues arrière (motrices)	Non applicable	
Diamètre des roues directrices	150 mm	
Pression des pneus, roues avant (directrices)	Non applicable	
Température de stockage et d'utilisation	+ 5 °C - + 41 °C	
Humidité de stockage et d'utilisation	30% - 70%	
<b>Nous nous réservons le droit d'apporter des modifications techniques. Tolérance de mesures ± 15 mm / 1,5 kg / 1,5 °.</b>		



# Inhoudsopgave

<b>Inhoudsopgave</b> .....	<b>1</b>
<b>Voorwoord</b> .....	<b>2</b>
<b>1 Uw product</b> .....	<b>3</b>
<b>2 Voor gebruik</b> .....	<b>4</b>
2.1 Beoogd gebruik .....	4
2.2 Gebruikte symbolen .....	4
2.3 Algemene veiligheidsmaatregelen .....	4
2.4 Transport .....	5
2.5 De rolstoel opvouwen/ontvouwen .....	5
2.6 Opslag .....	5
<b>3 Uw rolstoel gebruiken</b> .....	<b>6</b>
3.1 De voetsteunen plaatsen of verwijderen .....	6
3.2 Op- / openvouwen van de rug .....	6
3.3 Bedienen van de remmen .....	7
3.4 Transfer in en uit de rolstoel .....	7
3.5 Rijden met de rolstoel .....	7
<b>4 Montage en instellingen</b> .....	<b>9</b>
4.1 Gereedschap .....	9
4.2 Leveringsomvang .....	9
4.3 Instellen van de voetsteunen .....	9
4.4 Afstellen van de hoek van de voetplaten .....	10
4.5 Afstellen van de remmen .....	10
<b>5 Onderhoud</b> .....	<b>11</b>
5.1 Tijdstippen voor onderhoud .....	11
5.2 Onderhoudsinstructies .....	11
5.3 Probleemoplossing .....	12
5.4 Verwachte levensduur .....	12
5.5 Hergebruik .....	12
5.6 Beëindiging van gebruik .....	12
<b>6 Technische specificaties</b> .....	<b>13</b>

## Voorwoord

Proficiat! U bent eigenaar van een Vermeiren-rolstoel!

Deze rolstoel werd vervaardigd door gekwalificeerd en toegewijd personeel. Hij werd ontworpen en geproduceerd volgens hoge kwaliteitsnormen, bewaakt door Vermeiren.

Lees deze handleiding zorgvuldig door: het zal u helpen om vertrouwd te raken met de bediening, mogelijkheden en beperkingen van uw rolstoel. Als u hierna nog vragen heeft, aarzel dan niet om contact op te nemen met uw vakhandelaar. Hij/Zij zal u met plezier verder helpen.

### Belangrijke opmerking

Om uw veiligheid te garanderen, en om de levensduur van uw product te verlengen, raden we u aan om er goed zorg voor te dragen en om regelmatig nazicht en onderhoud te laten uitvoeren.

Deze handleiding houdt rekening met de recentste productontwikkelingen. De Firma Vermeiren behoudt zich het recht voor om wijzigingen aan dit type product door te voeren zonder verplicht te zijn om voordien geleverde producten aan te passen of te vervangen.

Afbeeldingen van het product worden gebruikt om de instructies in deze handleiding te verduidelijken. Details van het afgebeelde product kunnen afwijken van uw aangekochte product.

### Beschikbare informatie

Op onze website <http://www.vermeiren.com/> kan u steeds de meest recente versie terugvinden van de informatie in deze handleiding. Contacteer deze website regelmatig voor mogelijke updates.

Mensen met een visuele beperking kunnen de elektronische versie van deze handleiding downloaden en laten voorlezen door een tekst-naar-spraak programma.



Gebruiksaanwijzing

Voor de gebruiker en vakhandelaar



Onderhoudshandleiding voor rolstoelen

Voor de vakhandelaar



EC-conformiteitsverklaring



## 1 Uw product



1. Kruis
2. Handgrepen
3. Rug
4. Armleggers
5. Armsteunen
6. Aandrijfwielen (achterwielen)
7. Remmen
8. Trapdop
9. Stuurwielen (voorwielen)
10. Voetsteunen
11. Voetplaten
12. Zit
13. Locatie identificatieplaat

## 2 Voor gebruik

### 2.1 Beoogd gebruik

In dit hoofdstuk wordt kort beschreven wat het beoogde gebruik van uw rolstoel inhoudt. Bijkomende relevante waarschuwingen worden gegeven bij de instructies in andere hoofdstukken. Op deze manier proberen we u te waarschuwen voor mogelijk verkeerd gebruik.

- Indicaties en contra-indicaties: De rolstoel wordt geduwd door een begeleider. De rolstoel is bedoeld voor mensen die moeilijk kunnen lopen, voor non-permanent gebruik en transportdoeleinden. De verschillende soorten onderdelen en accessoires, en de modulaire constructie, zorgen ervoor dat de rolstoel ten volle kan worden gebruikt door geriatrische personen.
- De rolstoel kan zowel binnenshuis als buiten gebruikt worden.
- De rolstoel is ontworpen voor het transport van 1 persoon met een maximum gewicht van 115 kg. Het is niet bedoeld om goederen of objecten te vervoeren, noch voor enig ander gebruik dan hiervoor beschreven.
- Gebruik enkel accessoires en reserveonderdelen die werden goedgekeurd door Vermeiren.
- Lees eerst alle technische details en limieten van uw rolstoel in hoofdstuk 6.
- De garantie op dit product is gebaseerd op normaal gebruik en onderhoud zoals beschreven in deze handleiding. De garantie vervalt bij schade die werd veroorzaakt door verkeerd gebruik of gebrek aan onderhoud

### 2.2 Gebruikte symbolen



Maximum gewicht van de gebruiker in kg



Gebruik voor binnen en buiten



Maximale veilige helling in ° (graden)



Type aanduiding

### 2.3 Algemene veiligheidsmaatregelen

- Gebruik de rolstoel niet indien u onder invloed bent van alcohol, medicijnen of andere substanties die uw rijvermogen verminderen.
- Houd er rekening mee dat sommige onderdelen van uw rolstoel zeer warm of koud kunnen worden door omgevingstemperatuur, de zon of verwarmingstoestellen. Wees daarom voorzichtig bij het aanraken. Draag beschermende kleding bij koud weer. Bij buitengebruik kunnen rijhandschoenen de grip op de aandrijfhoepels verbeteren.
- Wijzig uw rolstoel op geen enkele manier
- Let erop dat bij het gebruik van de aandrijfwielen geen voorwerpen en/of lichaamsdelen tussen de spaken terechtkomen. Dit kan immers letsel en/of schade aan de rolstoel veroorzaken.

Houd er rekening mee dat uw rolstoel, afhankelijk van de gebruikte instelling, bij sommige diefstalsystemen interferentie kan geven. Hierdoor kan het winkelalarm in werking gesteld worden.

Indien zich een ernstig incident heeft voorgedaan met uw product, breng dan Vermeiren of uw gespecialiseerde dealer op de hoogte, evenals de bevoegde autoriteit in uw land.

## 2.4 Transport

### 2.4.1 Uit de weg zetten

De beste manier om de rolstoel te dragen is om gebruik te maken van de wielen en zo de rolstoel verder te rollen.

Als dit niet mogelijk is (bv. wanneer de achterwielen verwijderd zijn voor transport in de auto), grijp de rolstoel stevig vast aan de voorzijde van het frame en de handgrepen. Gebruik de voet-, armsteunen of de wielen niet om de rolstoel vast te nemen.

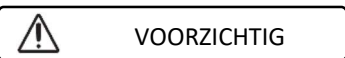
### 2.4.2 Transport per voertuig, als bagage

 **WAARSCHUWING** Gevaar voor letsel



- Gebruik de rolstoel NIET als zit in een voertuig, zie het symbool.
  - Zorg ervoor dat de rolstoel voldoende vastgemaakt is, om verwonding van de inzittenden tijdens aanrijding of plots remmen te voorkomen.
  - Gebruik voor het vastmaken van de rolstoel en de passagiers NOOIT dezelfde gordel.
1. Vouw de rolstoel tot zijn meest compacte formaat volgens de instructies in §2.5.
  2. Bewaar de rolstoel en zijn wielen in het bagagecompartiment of achter de passagiersstoel. Als de bagage- en passagierscompartimenten NIET van elkaar gescheiden zijn, bevestig dan het frame van de rolstoel stevig aan het voertuig.

## 2.5 De rolstoel opvouwen/ontvouwen

 **VOORZICHTIG** Kans op klemmen - Houd uw vingers niet tussen de onderdelen van de rolstoel.

*Om op te vouwen:*

1. Klap de voetplaten omhoog, of verwijder ze (zie § 3.1).
2. Vouw de rug op (zie §3.2).
3. Neem de zit aan de voor- en achterzijde vast en trek deze naar boven.
4. Druk op de handgrepen om de rolstoel verder in te klappen.

*Om te ontvouwen:*

1. Ga aan de achterzijde van de rolstoel staan.
2. Vouw de rug open (zie §3.2).
3. Gebruik de handgrepen om de rolstoel zo ver mogelijk te openen.
4. Ga aan de voorzijde van de rolstoel staan.
5. Duw beide buizen waaraan de zit bevestigd is verder naar beneden.

## 2.6 Opslag

- i** Zorg ervoor dat uw rolstoel droog wordt bewaard om schimmel of schade aan de bekleding te voorkomen, zie hoofdstuk 6.

## 3 Uw rolstoel gebruiken


**VOORZICHTIG**

Gevaar voor letsel en/of beschadiging

- Lees eerst de voorgaande hoofdstukken en informeer uzelf over het beoogde gebruik. Gebruik uw rolstoel NIET voordat u alle instructies gelezen en begrepen heeft.
- Als u nog vragen heeft of als u ergens aan twijfelt, aarzel dan niet om contact op te nemen met uw lokale vakhandelaar, zorgverlener, of technisch adviseur om u te helpen
- Houd tijdens gebruik en verstelling uw vingers, gespen, kledij en juwelen uit de buurt van de wielen of bewegende onderdelen.

### 3.1 De voetsteunen plaatsen of verwijderen


**VOORZICHTIG**

Gevaar voor letsel

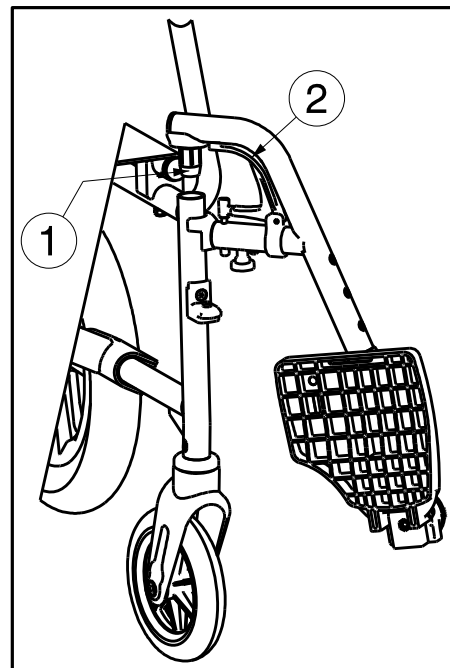
- Controleer dat de voetsteunen goed zijn vastgemaakt alvorens de rolstoel te gebruiken.
- Plaats geen voorwerpen in het draaibereik van de voetsteun tijdens het monteren of verwijderen van de voetsteunen.

Het plaatsen van de voetsteunen gaat als volgt:

1. Houd de voetsteun zijdelings aan de buitenkant van het frame van de rolstoel en monteer de voetsteun met de dop (1) in het frame.
2. Zwenk de voetsteun naar binnen tot deze vastklikt.
3. Draai de voetplaat naar beneden.

Om de voetsteunen te verwijderen gaat u als volgt te werk:

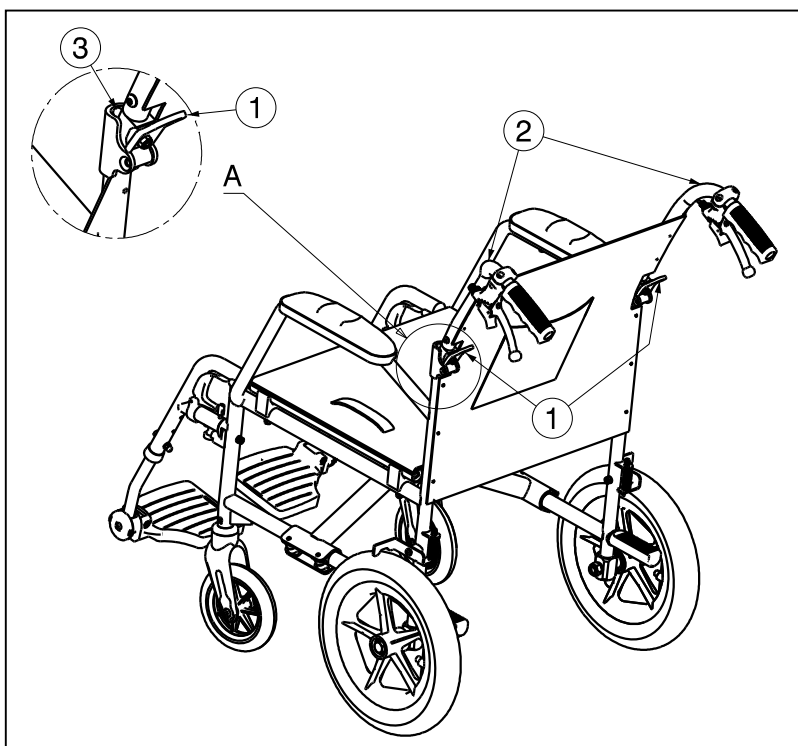
1. Trek aan hendel (2).
2. Draai de voetsteun naar buiten tot deze uit de geleiding komt.
3. Trek de voetsteun omhoog uit dop (1).



### 3.2 Op- / openvouwen van de rug


**WAARSCHUWING**

Gevaar voor letsel – Controleer dat de rug goed is vastgemaakt voor de transferstoel te gebruiken.



Het opvouwen van de rug gaat als volgt:

1. Trek aan de hendels ①, totdat de blokkeerpen ③ uit de boring komt.
2. Trek de bovenste rugbuizen ② naar beneden totdat de rug volledig opgevouwen is.

Om de rug open te klappen:

1. Trek de rugbuizen ② naar boven totdat de rug volledig geblokkeerd is.
2. Controleer dat de rug terug goed is vastgemaakt.

### 3.3 Bedienen van de remmen



WAARSCHUWING

Gevaar voor letsel

- De remmen dienen niet om af te remmen tijdens het rijden. Gebruik de rem enkel om te vermijden dat de rolstoel in stilstaande positie weggrolt.
- De werking van de remmen wordt beïnvloed door slijtage en vervuiling van de banden (water, olie, slijk, ...). Controleer voor elk gebruik de staat van de banden.
- De remmen zijn instelbaar en kunnen verouderen. Controleer voor elk gebruik de goede werking van de remmen.
- Zorg ervoor dat alvorens de remmen los te zetten, de rolstoel vlak staat. Los nooit beide remmen tegelijk.

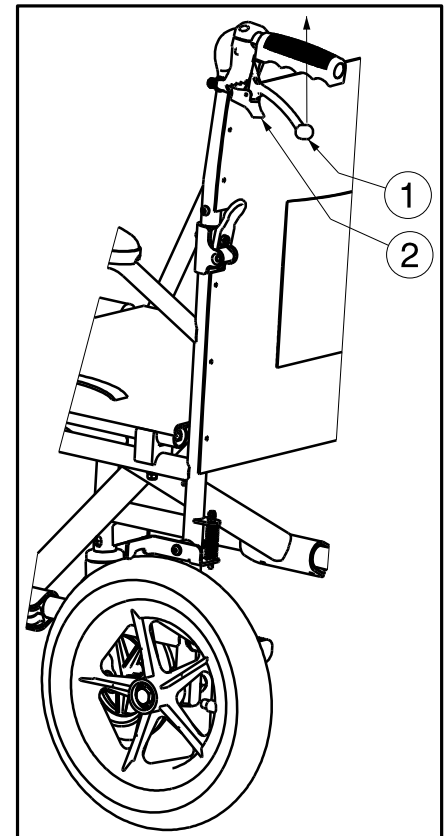
De remmen kunnen enkel door de begeleider worden geactiveerd.

*Om de remmen in te schakelen:*

1. Trek de remhendels (1) naar boven.
2. Duw op onderdeel (2) om de remmen te blokkeren.

*Om de remmen uit te schakelen:*

1. Maak eerst het onderdeel (2) los.
2. Laat de remhendels (1) los.



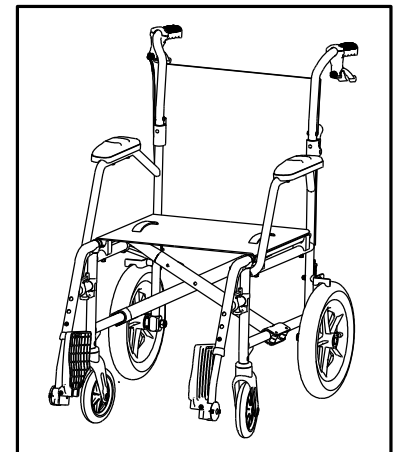
### 3.4 Transfer in en uit de rolstoel



VOORZICHTIG

Gevaar voor letsel en/of schade

- Indien u de transfer niet veilig op eigen kracht kan uitvoeren, vraag dan hulp.
  - Kans op kantelen van de rolstoel - Niet op de voetplaten gaan staan.
1. Plaats de rolstoel zo dicht mogelijk bij de stoel, zetel of bed van/naar waar u zich wilt verplaatsen.
  2. Zorg dat beide remmen van de rolstoel aan staan.
  3. Vouw de voetplaten naar boven zodat u er niet op gaat staan.
  4. Verplaats u van of naar de rolstoel.



#### 3.4.1 Correcte positie in de rolstoel

Enkele aanbevelingen om comfortabel van uw rolstoel gebruik te maken:

- Plaats uw zitvlak zo dicht mogelijk bij de rug.
- Zorg dat uw bovenbenen horizontaal zijn. Stel eventueel de lengte van de voetsteunen bij (zie § 4.3).

### 3.5 Rijden met de rolstoel



VOORZICHTIG

Gevaar voor letsel of beschadiging

- Voor gebruik, zorg ervoor dat:
  - de parkeerremmen goed werken.
  - de remmen in goede staat zijn, §0.
- Vermijd dat uw vingers gekneld raken tussen de wielspaken.
- Rijd NIET op hellingen, hindernissen, treden of stoepranden die groter zijn dan beschreven in hoofdstuk 6.

- Wanneer u stopt op een (kleine) helling, gebruik dan de remmen.
- Zorg ervoor dat alle vier wielen de grond raken wanneer u op of af een helling rijdt.
- Neem hellingen zo traag mogelijk.
- Blijf altijd op het voetpad wanneer u op de openbare weg rijdt.
- Pas op als de weg gaten of spleten heeft waardoor de wielen kunnen vastlopen.
- Vermijd stenen en andere objecten die de wielen kunnen blokkeren.
- Zorg ervoor dat de voetplaten de grond niet raken bij het nemen van een obstakel.
- Gebruik uw rolstoel niet op roltrappen.
- Indien beschikbaar, bevestig uw veiligheidsgordel.
- Houd steeds rekening met de draaicirkel van de voetplaat om te voorkomen dat voorbijgangers verwond raken, of dat objecten beschadigd raken.
- Trappen mogen enkel genomen worden met behulp van twee begeleiders.
- Neem geen trappen die ongepast zijn voor rolstoelen.

## 4 Montage en instellingen

De in dit hoofdstuk beschreven instructies zijn bestemd voor de vakhandelaar.

De Vermeiren Bobby werd ontworpen voor korte afstanden en makkelijke transfer.

Om een servicepunt of vakhandelaar in uw buurt te vinden, neemt u contact op met de dichtstbijzijnde Vermeiren faciliteit.



WAARSCHUWING

Gevaar voor letsel of beschadiging

- Gebruik enkel de instellingen beschreven in deze handleiding.
- Variaties van de toelaatbare instellingen kunnen de stabiliteit van uw rolstoel beïnvloeden (naar achteren of op zij kantelen).

### 4.1 Gereedschap

Om uw rolstoel op te bouwen is het volgende gereedschap nodig:

- Steek-/ringsleutel set n° 10
- Inbussleutel set n° 4
- Kruiskopschroevendraaier

### 4.2 Leveringsomvang

Het Vermeiren Bobby model wordt als volgt geleverd:

- 1 frame met armsteunen, achter- en voorwielen
- 1 paar voetsteunen
- Gereedschap
- Handleiding
- Accessoires (optioneel)

### 4.3 Instellen van de voetsteunen

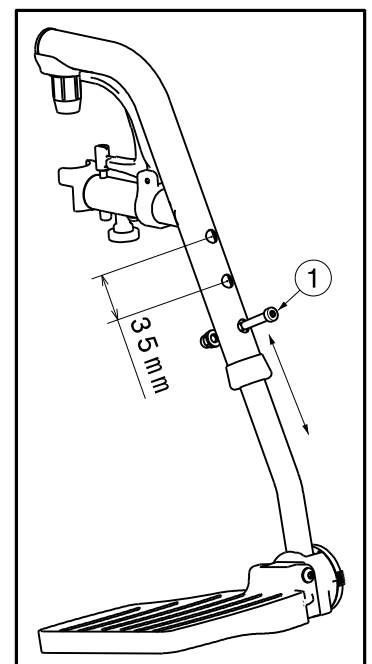


WAARSCHUWING

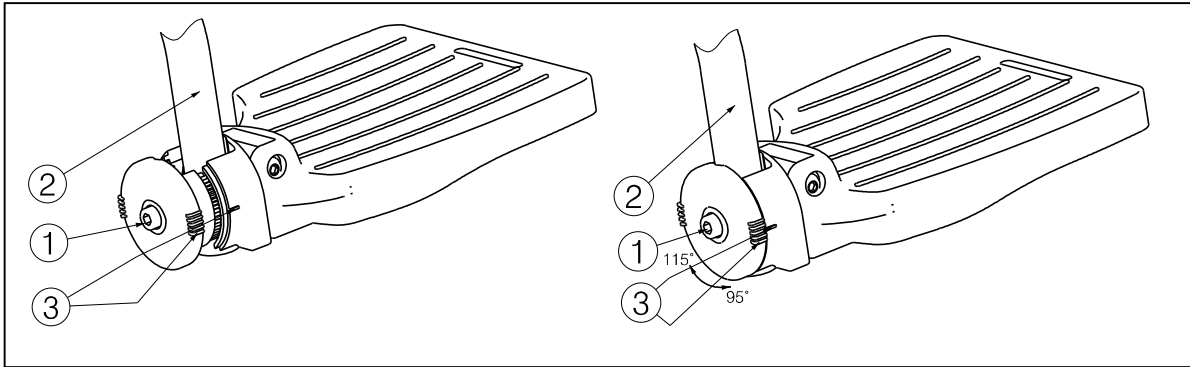
Zorg ervoor dat de voetsteunen niet over de grond slepen. Houd een minimum afstand van 60 mm tot de grond aan.

Stel de lengte van de voetsteunen als volgt in (3 gaten in binnenbuis, 3 gaten in buitenbuis ; bereik 120 mm):

1. Verwijder de schroef (1).
2. Stel de lengte van de voetsteun op een comfortabele lengte in.
3. Draai de schroef (1) goed vast.



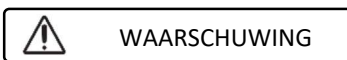
## 4.4 Afstellen van de hoek van de voetplaten



Om de hoek van de voetplaten te verstellen gaat u als volgt te werk:

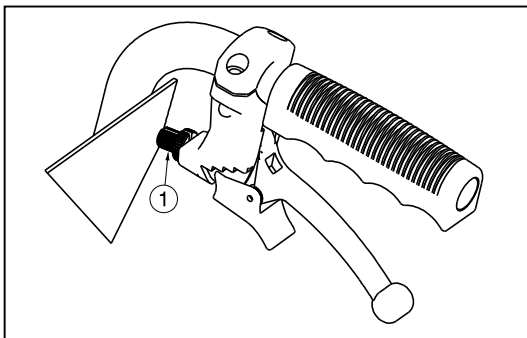
1. Draai bout ① los.
2. Verstel de buis ② in de gewenste hoek. De aanduiding van de hoek(95°-100°-105°-110°-115°) wordt aangegeven door de streepjes ③.
3. Maak de bout ① terug vast.

## 4.5 Afstellen van de remmen



WAARSCHUWING

Gevaar voor letsel – Laat de remmen afstellen door een erkend vakhandelaar.



1. Draai aan onderdeel ① om de spanning van de remmen in te stellen.
2. Controleer de werking van de remmen.
3. Indien nodig kan u het draaien aan onderdeel ① herhalen tot de remmen goed afgesteld staan.



## 5 Onderhoud

### 5.1 Tijdstippen voor onderhoud



Gevaar voor letsel of beschadiging

Reparaties en vervangingen mogen enkel uitgevoerd worden door opgeleid personeel, en enkel originele onderdelen van Vermeiren mogen hierbij gebruikt worden.

**i** De laatste pagina van deze handleiding bevat een registratieformulier, bedoeld voor de vakhandelaar om ieder onderhoud te registreren.

De onderhoudsfrequentie hangt af van de frequentie en intensiteit van gebruik. Neem contact op met uw vakhandelaar om een tijdschema vast te leggen voor nazicht/onderhoud/repairatie.

Voor de onderhoudshandleiding kan u de website van Vermeiren raadplegen: [www.vermeiren.com](http://www.vermeiren.com).

#### *Voor ieder gebruik*

Kijk de volgende punten na:

- Alle onderdelen: aanwezig en niet beschadigd of versleten.
- Alle onderdelen: schoon, zie § 5.2.2.
- Wielen, rugsteun, zit, kuitsteunen, armsteunen, voetplaat: stevig bevestigd.
- Staat van de wielen, zie § 5.2.1.
- Staat van de frameonderdelen: geen vervorming, instabiliteit, zwakte of losse verbindingen.
- Zit, rugsteun, armleggers, kuitsteunen en hoofdsteun (indien van toepassing): geen overmatige slijtage (bijv. gedeukte plekken, schade of scheuren).
- Remmen: onbeschadigd en werkend

Contacteer uw vakhandelaar voor eventuele reparaties of vervanging van onderdelen.

#### *Jaarlijks of vaker*

Laat uw rolstoel nakijken en onderhouden door uw vakhandelaar, ten minste één keer per jaar of vaker. De minimale onderhoudsfrequentie is afhankelijk van het gebruik en moet daarom besproken worden met uw vakhandelaar.

### 5.2 Onderhoudsinstructies

#### 5.2.1 Wielen en banden

**i** De goede werking van de remmen hangt af van de staat van de banden, die onderhevig zijn aan slijtage en verontreiniging (water, olie, modder,...).

Houd de wielen vrij van draden, haar, zand en vezels.

Kijk het profiel van de banden na. Als de profieldiepte minder dan 1 mm bedraagt, moeten de banden vervangen worden. Contacteer hiervoor uw vakhandelaar.

#### 5.2.2 Schoonmaak

 **VOORZICHTIG**

Gevaar voor beschadiging door vocht

- Gebruik nooit een tuinslang of hogedrukreiniger om de rolstoel schoon te maken.

Veeg alle harde onderdelen van de rolstoel schoon met een vochtig doek (niet doorweekt). Indien nodig, gebruik een milde zeep die geschikt is voor vernis en synthetische materialen.

De bekleding kan schoon worden gemaakt met lauw water en een milde zeep. Gebruik geen agressieve schoonmaakmiddelen.

### 5.2.3 Ontsmetting

**VOORZICHTIG**

Gevaar voor beschadiging

- Ontsmetting mag enkel worden uitgevoerd door getraind personeel. Neem contact op met uw vakhandelaar.

## 5.3 Probleemoplossing

Ook wanneer u de rolstoel correct gebruikt, is het toch mogelijk dat er een technisch probleem optreedt. Neem in dat geval contact op met uw vakhandelaar.

**WAARSCHUWING**

Gevaar voor letsel of beschadiging aan de rolstoel

- Probeer NOOIT zelf uw rolstoel te repareren.

De volgende tekenen kunnen wijzen op een ernstig probleem. Neem daarom steeds contact op met uw vakhandelaar als u een van de volgende afwijkingen opmerkt:

- Vreemde geluiden;
- Oneven bandenslijtage op een van de banden;
- Schokkerige bewegingen;
- De rolstoel buigt af naar één kant;
- Beschadigde of kapotte wielmontages;

## 5.4 Verwachte levensduur

De gemiddelde levensduur van uw rolstoel is 5 jaar. De levensduur zal toenemen of afnemen afhankelijk van de gebruiksfrequentie, rijomstandigheden en onderhoud.

## 5.5 Hergebruik

Voor ieder hergebruik moet de rolstoel ontsmet, geïnspecteerd en onderhouden worden volgens de instructies in §5.1 en §5.2.

## 5.6 Beëindiging van gebruik

Op het einde van de levensduur moet u de rolstoel vernietigen volgens de lokale milieuwetgeving. De beste manier om dit te doen, is de rolstoel te demonteren om het vervoer van de recycleerbare onderdelen te vergemakkelijken.

## 6 Technische specificaties

Onderstaande technische gegevens zijn enkel geldig voor deze rolstoel, met standaard instellingen en optimale omgevingscondities. Houd bij gebruik rekening met deze details. Deze waarden zijn niet meer van toepassing als uw rolstoel werd gewijzigd, of wanneer hij beschadigd of ernstig versleten is.

Tabel 1: Technische specificaties

<b>Merk</b>	<b>Vermeiren</b>
<b>Type</b>	<b>Manuele rolstoel</b>
<b>Model</b>	<b>Bobby</b>

Beschrijving	Specificaties	
Maximale massa gebruiker	115 kg	
Totale lengte inclusief voetsteun	950 mm	
Effectieve zitbreedte	420 mm	480 mm
Totale breedte (afhankelijk van de zitbreedte)	575 mm	635 mm
Lengte dichtgevouwen zonder voetsteun	740 mm	
Breedte dichtgevouwen	270 mm	
Hoogte dichtgevouwen	750 mm	
Totaal gewicht	11,00 kg	11,55 kg
Gewicht zwaarste onderdeel	9,40 kg	9,95 kg
Massa van onderdelen die kunnen worden gedemonteerd of verwijderd	<b>Voetsteunen: 1,60 kg</b>	
Statische stabiliteit bergaf	10°	
Statische stabiliteit bergop	10°	
Statische stabiliteit zijwaarts	10°	
Effectieve zitdiepte	420 mm	
Zithoogte aan voorzijde	500 mm	
Zithoek	5°	
Rughoogte	380 mm	
Rughoek	5°	
Afstand tussen zit en voetsteun	370 – 500 mm	
Hoek tussen zit en voetsteun	114°	
Afstand tussen armsteun en zit	220 mm	
Afstand voorzijde armsteun	315 mm	
Diameter aandrijfhoepel	nvt	
Horizontale afstand van de as (uitwijking)	21 mm	
Minimale draaicirkel	1500 mm	
Diameter achterwielen	12,5"	
Bandendruk, achter (aandrijf)wielen	nvt	
Diameter stuurwielen	150 mm	
Bandendruk, voor (stuur)wielen	nvt	
Opslag en gebruikstemperatuur	+ 5 °C - + 41 °C	
Opslag en gebruiksluchtvochtigheid	30% - 70%	

**We behouden ons het recht voor om technische wijzigingen te introduceren.  
Meettolerantie ± 15 mm / 1,5 kg / 1,5°**



<b>Inhalt</b> .....	<b>1</b>
<b>Vorwort</b> .....	<b>2</b>
<b>1 Ihr Produkt</b> .....	<b>3</b>
<b>2 Vor der Benutzung</b> .....	<b>4</b>
2.1 Bestimmungsgemäße Verwendung .....	4
2.2 Zeichenerklärung .....	4
2.3 Allgemeine Sicherheitshinweise .....	4
2.4 Transport .....	5
2.5 Zusammenklappen/Auseinanderklappen des Rollstuhls .....	5
2.6 Lagerung .....	5
<b>3 Verwendung</b> .....	<b>6</b>
3.1 An- oder Abbauen der Fußauflagen .....	6
3.2 Zusammen-/Auseinanderklappen der Rücken .....	6
3.3 Betätigen der Bremsen .....	7
3.4 Setzen in den Rollstuhl .....	7
3.5 Fahren mit dem Rollstuhl .....	8
<b>4 Zusammenbau und Einstellung</b> .....	<b>9</b>
4.1 Werkzeuge .....	9
4.2 Lieferumfang .....	9
4.3 Einstellen der Fußauflagen .....	9
4.4 Einstellen des Fußplattenwinkel .....	10
4.5 Einstellen der Bremsen .....	10
<b>5 Wartung</b> .....	<b>11</b>
5.1 Wartungspunkte .....	11
5.2 Wartungshinweise .....	11
5.3 Störungsbeseitigung .....	12
5.4 Voraussichtliche Nutzungsdauer .....	12
5.5 Wiedereinsatz .....	12
5.6 Nutzungsende .....	12
<b>6 Technische Daten</b> .....	<b>13</b>

## Vorwort

**DE**

Herzlichen Glückwunsch! Sie sind nun Besitzer eines Vermeiren-Rollstuhls!

Dieser Rollstuhl wurde von versierten und engagierten Mitarbeitern gefertigt. Es entspricht hinsichtlich Konstruktion und Fertigung den hohen Qualitätsstandards von Vermeiren.

Lesen Sie dieses Handbuch daher bitte aufmerksam durch, um sich mit der Bedienung, den Fähigkeiten und Beschränkungen Ihres Rollstuhls vertraut zu machen. Sollten Sie nach der Lektüre dieses Handbuchs noch Fragen haben, können Sie sich jederzeit an Ihren Fachhändler wenden. Er wird Ihnen gerne in dieser Angelegenheit weiterhelfen.

### Wichtiger Hinweis

Um Ihre Sicherheit zu gewährleisten und die Nutzungsdauer Ihres Produkts zu verlängern, sollten Sie es gut behandeln und regelmäßig überprüfen und/oder warten lassen.

Dieses Handbuch enthält die neuesten Produktentwicklungen. Vermeiren behält sich das Recht vor, Veränderungen an dieser Art von Produkt vorzunehmen, ohne eine Verpflichtung einzugehen, ähnliche bereits ausgelieferte Produkte anzupassen oder auszutauschen.

Die Abbildungen dienen zur Verdeutlichung der Anweisungen in diesem Handbuch. Das gezeigte Produkt kann in Details von Ihrem Produkt abweichen.

### Verfügbare Informationen

Auf unserer Webseite <http://www.vermeiren.com/> finden Sie stets die aktuellste Version der in diesem Handbuch beschriebenen Informationen. Informieren Sie sich bitte regelmäßig auf dieser Website nach eventuell verfügbaren Aktualisierungen.

Sehbehinderte Menschen können sich die elektronische Version dieses Handbuchs herunterladen und mit Hilfe einer Sprachsyntheselösung („Text-to-Speech-Software“) vorlesen lassen.



Benutzerhandbuch

Für Anwender und Fachhändler



Servicehandbuch für Rollstühle

Für Fachhändler



EG-Konformitätserklärung

# 1 Ihr Produkt



1. Schere
2. Handgriffe
3. Rücken
4. Armpolster
5. Armlehnen
6. Antriebsräder (Hinterräder)
7. Bremsen
8. Kipphilfe
9. Lenkräder (Vorderräder)
10. Fußauflagen
11. Fussplatte
12. Sitz
13. Typenschild

## 2 Vor der Benutzung

### 2.1 Bestimmungsgemäße Verwendung

Dieser Abschnitt enthält eine kurze Beschreibung der vorgesehenen Benutzung Ihres Rollstuhls. Darüber hinaus enthalten die Anweisungen in den anderen Abschnitten zusätzliche Warnhinweise. Auf diese Weise wollen wir Sie auf die Möglichkeit einer unsachgemäßen Benutzung hinweisen.

- Indikationen und Kontraindikationen: Der Rollstuhl wird von einer Begleitperson geschoben. Der Rollstuhl ist ausschließlich für den Transport von gehbehinderten Menschen vorgesehen, für eine nicht permanente Nutzung und für Transportzwecke. Die Ausstattungsvarianten erlauben den Einsatz des Rollstuhls für ältere Menschen.
- Der Rollstuhl kann sowohl im Innen- als auch im Außenbereich eingesetzt werden.
- In dem Rollstuhl kann eine Person transportiert werden mit einem Gewicht von maximal 115 kg. Er ist nicht dafür vorgesehen, Sachen oder Objekte zu transportieren oder zu anderen Zwecken als zuvor beschrieben benutzt zu werden.
- Verwenden Sie ausschließlich von Vermeiren genehmigte Zubehör- oder Ersatzteile.
- Sehen Sie sich auch die technischen Daten und die Einschränkungen Ihres Rollstuhls in Abschnitt 6 an.
- Die Garantie für dieses Produkt beruht auf dessen normaler Benutzung und Wartung wie in diesem Handbuch beschrieben. Schäden an Ihrem Produkt, die auf unsachgemäße Benutzung oder mangelnde Wartung zurückzuführen sind, führen zum Erlöschen der Garantie.

### 2.2 Zeichenerklärung



Maximalgewicht des Benutzers (in kg)



Außen/Innenbenutzung



Maximale Neigungssicherheit in ° (Grad).



Typbezeichnung

### 2.3 Allgemeine Sicherheitshinweise

- Benutzen Sie Ihren Rollstuhl nicht, wenn Sie unter dem Einfluss von Alkohol, Medikamenten oder anderen Substanzen stehen, die Ihre Fahrtüchtigkeit beeinträchtigen könnten.
- Beachten Sie, dass bestimmte Teile dieses Rollstuhls infolge der Umgebungstemperatur, Sonneneinstrahlung, Heizkörpern usw. sehr warm oder sehr kalt werden können. Seien Sie daher vorsichtig beim Berühren. Tragen Sie bei kaltem Wetter Schutzbekleidung. Wenn Sie sich im Freien aufhalten, können Reithandschuhe verwendet werden, um den Griff an den Handrändern zu verbessern.
- Nehmen Sie keinerlei Veränderungen an Ihrem Rollstuhl vor.
- Achten Sie darauf, dass bei Nutzung der Antriebsräder keine Gegenstände und/oder Körperteile in die Speichen hineinragen, da sonst Verletzungen und/oder Beschädigungen an Ihrem Rollstuhl auftreten können.

Bitte beachten sie, dass Ihr Rollstuhl je nach den verwendeten Einstellungen einige Arten von Diebstahlsicherungssystemen beeinträchtigen kann. Dies kann dazu führen, dass der Sicherungsalarm des Shops ausgelöst wird.



Sollte sich ein schwerwiegender Zwischenfall mit Ihrem Produkt ereignet haben, benachrichtigen Sie Vermeiren oder Ihren Fachhändler sowie die zuständige Behörde in Ihrem Land.

## 2.4 Transport

### 2.4.1 Beiseiteschaffen

Am besten lässt sich der Rollstuhl transportieren, indem die Räder verwendet und der Rollstuhl geschoben wird. Sollte dies nicht möglich sein (beispielsweise wenn die Hinterräder für den Transport in einem Auto abgenommen wurden), greifen Sie den Rahmen fest an der Vorderseite und an den Handgriffen. Greifen Sie den Rollstuhl nicht an den Fußauflagen, Armlehnen oder den Rädern.


### 2.4.2 Transport in einem Fahrzeug (als Gepäck)

 **WARNUNG** Verletzungsgefahr

- Benutzen Sie Ihren Rollstuhl **NICHT** als Sitz in einem Fahrzeug (siehe nächstes Symbol).
  - Achten Sie darauf, den Rollstuhl ordnungsgemäß zu befestigen. So vermeiden Sie Verletzungen der Fahrzeuginsassen bei einer Kollision oder einem plötzlichen Bremsmanöver.
  - Verwenden Sie zum Sichern des Rollstuhls und des Fahrzeuginsassens **NIEMALS** den gleichen Sicherheitsgurt.
1. Falten Sie den Rollstuhl gemäß den Anweisungen in Kapitel 2.5 auf die kleinste Größe.
  2. Bewahren Sie den Rollstuhl und seine Räder im Gepäckraum oder hinter dem Beifahrersitz auf. Falls Gepäckraum und Fahrgastzelle **NICHT** voneinander getrennt sind, muss der Rahmen des Rollstuhls sicher am Fahrzeug befestigt werden.



## 2.5 Zusammenklappen/Auseinanderklappen des Rollstuhls

 **VORSICHT** Klemmgefahr! Achten Sie darauf, dass Ihre Finger nicht zwischen die Rollstuhlkomponenten gelangen.

*So falten Sie den Rollstuhl zusammen:*

1. Klappen Sie die Fußplatten hoch, oder entfernen Sie die Fußauflagen (siehe § 3.1).
2. Klappen Sie die Rückenlehne um (siehe §3.2).
3. Fassen Sie den Sitz an der Vorder- und Hinterseite an, und ziehen Sie ihn nach oben.
4. Drücken Sie gegen die Handgriffe, um den Rollstuhl weiter zusammenzuklappen.

*So entfalten Sie den Rollstuhl:*

1. Stellen Sie sich auf die Rückseite der Rollstuhl.
2. Entfalten Sie die Rückenlehne (siehe §3.2).
3. Nutzen Sie die Schiebegriffe, um den Rollstuhl so weit wie möglich zu öffnen.
4. Stellen Sie sich auf die Vorderseite der Rollstuhl.
5. Drücken Sie die beiden Holme, an denen der Sitz befestigt ist, weiter nach unten.

## 2.6 Lagerung

- i** Stellen Sie sicher, dass Ihr Rollstuhl in einer trockenen Umgebung gelagert wird, um Schimmelbildung und die Beschädigung der Polsterung zu vermeiden, siehe auch Kapitel 6.

## 3 Verwendung

**VORSICHT**

Gefahr von Verletzungen und/oder Beschädigungen

- Lesen Sie bitte zunächst die vorhergehenden Abschnitte, um sich über die Benutzungsbedingungen zu informieren. Benutzen Sie den Rollstuhl NICHT, bevor Sie alle Anweisungen aufmerksam gelesen und vollständig verstanden haben.
- Bei Zweifeln oder Fragen wenden Sie sich bitte zwecks Hilfe an Ihren Fachhändler, Pflegedienst oder Fachberater.
- Stellen Sie sicher, dass Ihre Hände, Kleidung, Gürtel, Schnallen oder Schmuck während des Gebrauchs oder der Einstellung nicht von Rädern oder anderen beweglichen Teilen eingeklemmt werden.

### 3.1 An- oder Abbauen der Fußauflagen

**VORSICHT**

Verletzungsgefahr

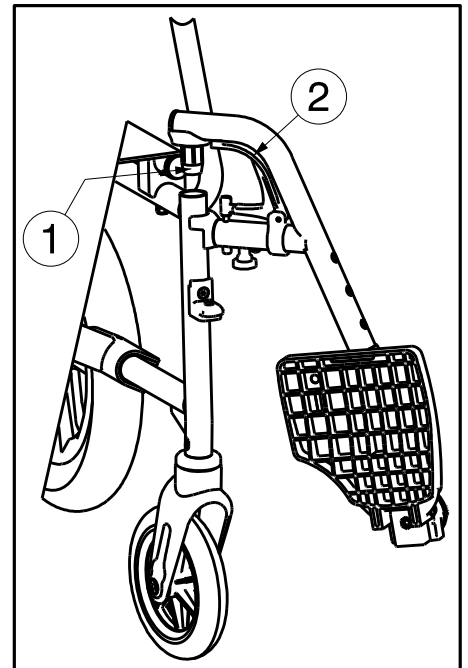
- Achten Sie darauf, dass die Fußauflagen vor Gebrauch des Rollstuhls fest arretiert sind.
- Halten Sie Objekte vom Schwenkbereich der Fußauflagen fern während des an- oder Abbauens der Fußauflagen.

Die Fußauflagen werden wie folgt montiert:

1. Halten Sie die Fußauflage seitlich an die Außenseite des Rollstuhlrahmens und stecken Sie den Zapfen (1) in den Rahmen.
2. Drehen Sie die Fußauflagen nach innen bis diese einrasten.
3. Schwenken Sie die Fußplatte nach unten.

So bauen Sie die Fußauflagen ab:

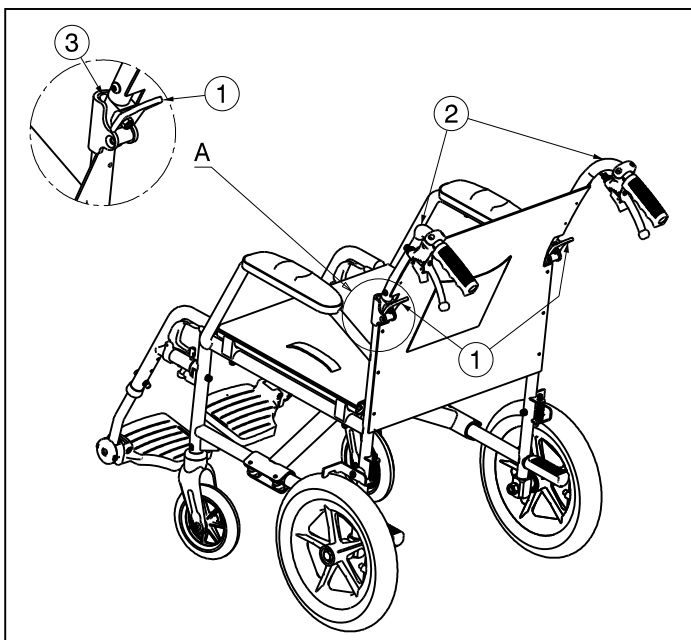
1. Ziehen Sie am Hebel (2).
2. Schwenken Sie die Fußauflage an die Außenseite des Rollstuhls, bis sie sich aus der Führung löst.
3. Ziehen Sie die Fußauflage mit dem Zapfen aus dem Rahmen (1).



### 3.2 Zusammen-/Auseinanderklappen der Rücken

**WARNUNG**

Verletzungsgefahr – Achten Sie darauf, dass die Rücken vor Gebrauch des Stuhls fest arretiert sind.



So klappen Sie die Rückenlehne zusammen:

1. Ziehen Sie an den Hebeln ①, bis der Stift ③ aus dem Loch gezogen ist.
2. Ziehen Sie die oberen Rückenlehnenstangen ② nach unten, bis die Rückenlehne komplett zusammengeklappt ist.

So klappen Sie die Rückenlehne auseinander:

1. Ziehen Sie die Rückenlehnenstangen ② nach oben, bis sich die Rückenlehne in der korrekten Position befindet.
2. Vergewissern Sie sich, dass die Rückenlehne eingerastet ist.

### 3.3 Betätigen der Bremsen

 **WARNUNG** Verletzungsgefahr

- Die Bremsen dienen nicht dazu, die Bewegung des Rollstuhls abzubremesen. Sie dienen ausschließlich dazu, unbeabsichtigte Bewegungen des Rollstuhls zu verhindern.
- Die ordnungsgemäße Funktion der Bremsen kann durch Verschleiß oder Schmutz (auch Wasser, Öl, Schlamm usw.) beeinträchtigt werden. Überprüfen Sie daher vor jeder Rollstuhlnutzung den Zustand der Reifen.
- Die Bremsen sind einstellbar und können verschleifen. Überprüfen Sie daher vor jeder Rollstuhlnutzung den Zustand der Bremsen.
- Achten Sie darauf, dass der Rollstuhl auf einer flachen, horizontalen Fläche steht, bevor Sie die Bremsen lösen. Lösen Sie niemals beide Bremsen gleichzeitig.

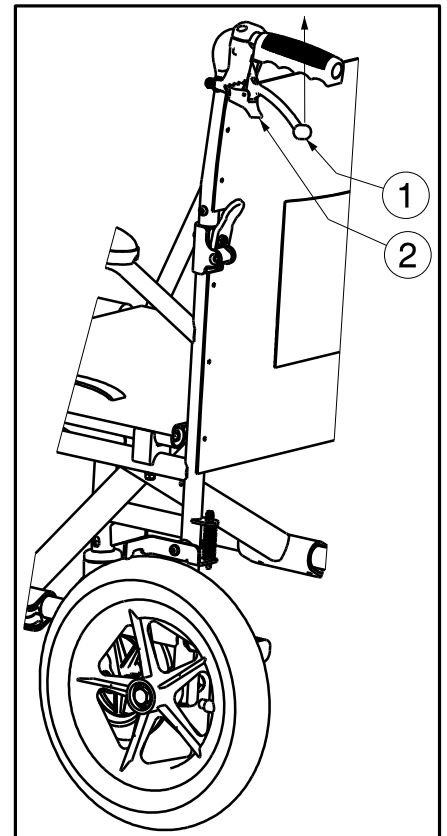
Die Bremsen können nur vom Helfer betätigt werden.

So betätigen Sie die Bremsen:

1. Ziehen Sie die Bremshebel (1) nach oben.
2. Drücken Sie Teil (2), um die Bremsen zu blockieren.

So lösen Sie die Bremsen:

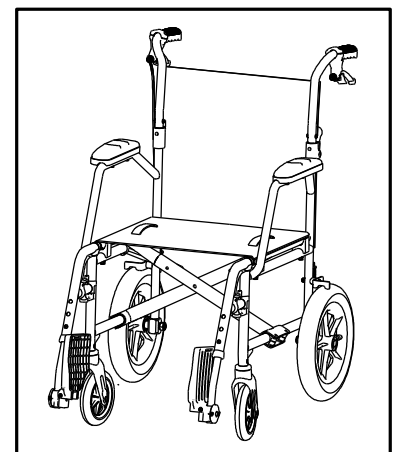
1. Lösen Sie zunächst Teil (2).
2. Lösen Sie die Bremshebel (1).



### 3.4 Setzen in den Rollstuhl

 **WARNUNG** Gefahr von Personen- und/oder Sachschäden

- Falls Sie sich nicht allein sicher in den Rollstuhl oder aus diesem heraus umsetzen können, bitten Sie jemanden um Hilfe.
  - Stellen Sie sich nicht auf die Fußplatten.
1. Positionieren Sie den Rollstuhl so nah wie möglich an den Stuhl, die Couch oder das Bett, zu dem bzw. von dem das Umsetzen vorgenommen werden soll.
  2. Achten Sie darauf, dass beide Bremsen des Rollstuhls betätigt sind.
  3. Klappen Sie die Fußplatten nach oben, damit Sie sich nicht versehentlich darauf stellen.
  4. Setzen Sie sich in den Rollstuhl.

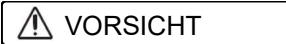


#### 3.4.1 Prüfen Sie, ob die Sitzposition korrekt ist

Einige Empfehlungen für die komfortable Verwendung des Rollstuhls:

- Setzen Sie sich möglichst weit nach hinten, so dass Ihr Rücken an der Rückenlehne anliegt.
- Achten Sie darauf, dass Ihre Oberschenkel möglichst horizontal stehen. Gegebenenfalls müssen Sie die Länge des Fußauflagen einstellen (siehe § 4.3).

### 3.5 Fahren mit dem Rollstuhl



Gefahr von Verletzungen und Schäden

- Achten Sie vor jeder Benutzung auf Folgendes:
  - Feststellbremsen funktionieren einwandfrei.
  - Reifen sind in gutem Zustand, siehe Kapitel 0.
- Verhindern Sie, dass Ihre Finger von den Radspeichen erfasst werden.
- Fahren Sie NICHT auf Steigungen, Hindernissen, Stufen oder Bordsteinen, die größer sind als in Kapitel 6 angegeben.
- Wenn Sie auf einem (kleinen) Hang stehen bleiben, benutzen Sie die Bremsen.
- Achten Sie bei Bergauf- oder -abfahrten darauf, dass alle vier Räder Bodenkontakt haben.
- Fahren Sie auf Gefällen so langsam wie möglich.
- Bleiben Sie auf öffentlichen Straßen immer auf der Straße.
- Achten Sie darauf, wenn die Straße Löcher oder Lücken aufweist, die zum Einschluss der Räder führen können.
- Vermeiden Sie Steine und andere Gegenstände, die die Räder blockieren könnten.
- Stellen Sie sicher, dass die Fußplatten nicht den Boden berühren, wenn Sie ein Hindernis nehmen.
- Verwenden Sie Ihren Rollstuhl nicht auf einer Rolltreppe.
- Falls vorhanden, tragen Sie Ihren Sicherheitsgurt.
- Berücksichtigen Sie stets den Schwenkbereich der Fußplatte, um keine Passanten zu verletzen oder Gegenstände zu beschädigen.
- Treppen sollten immer mit Hilfe von zwei Begleitpersonen verhandelt werden.
- Versuchen Sie niemals Treppen zu benutzen, die nicht für Rollstühle geeignet sind.

## 4 Zusammenbau und Einstellung

Die Anweisungen in diesem Kapitel richten sich an den Fachhändler.

Der Vermeiren Bobby wurde für kurze Fahrten und einen einfachen Transfer entwickelt.

Um einen Fachhändler in Ihrer Nähe zu finden, stehen Ihnen unsere Niederlassungen gerne zur Verfügung.

 WARNUNG

Gefahr von Verletzungen und Schäden

- Nutzen Sie das Produkt nur gemäß den technischen Vor- und Angaben dieser Gebrauchsanweisung.
- Änderungen an den zulässigen Einstellungen können die Stabilität des Rollstuhls verändern (Kippen nach hinten oder zur Seite).

### 4.1 Werkzeuge

Für die Montage der Rollstuhl und für Einstellungen werden die folgenden Werkzeuge benötigt:

- Schraubenschlüsselsatz Größe 10
- Inbusschlüsselsatz Größe 4
- Kreuzschlitzschraubendreher

### 4.2 Lieferumfang

Im Lieferumfang der Bobby von Vermeiren ist Folgendes enthalten:

- 1 Rahmen mit Armlehnen, Hinterrädern und Vorderrädern
- 1 Paar Fußauflagen
- Werkzeuge
- Gebrauchsanweisung
- Zubehör (optional)

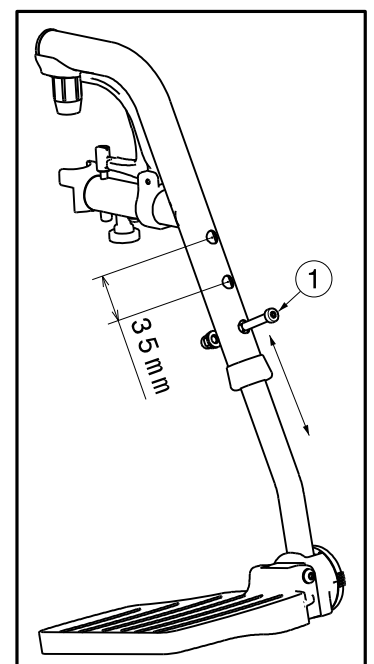
### 4.3 Einstellen der Fußauflagen

 WARNUNG

Risiko der Beschädigung – Achten Sie darauf, dass die Fußauflagen den Boden nicht berührt. Achten Sie auf einen Abstand von mindestens 60 mm zwischen der Fußauflage und dem Boden.

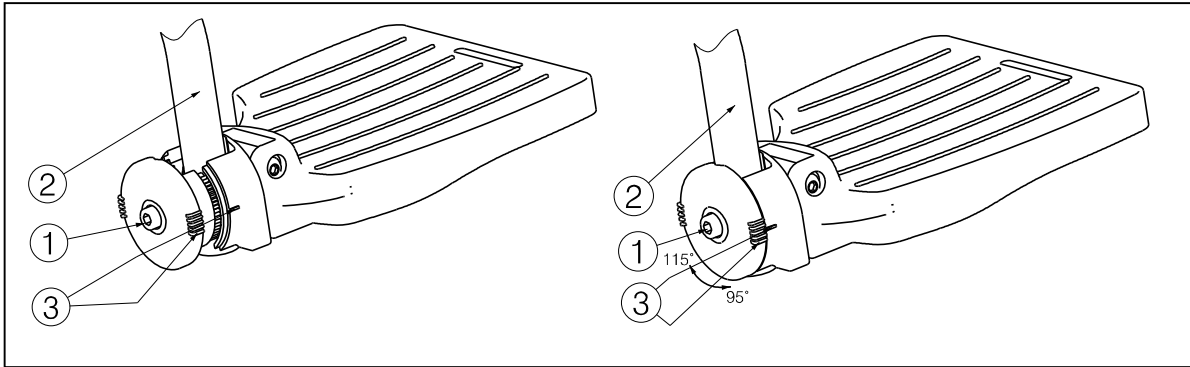
So stellen Sie die Länge des Fußauflagen ein (3 Löcher am Innenrohr, 3 Löcher am Außenrohr; 120mm Reichweite):

1. Entfernen Sie die Schraube (1).
2. Stellen Sie die Fußauflage auf eine angenehme Länge ein.
3. Setzen Sie die Schraube (1) wieder ein und ziehen diese handfest an.



DE

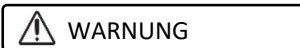
## 4.4 Einstellen des Fußplattenwinkel



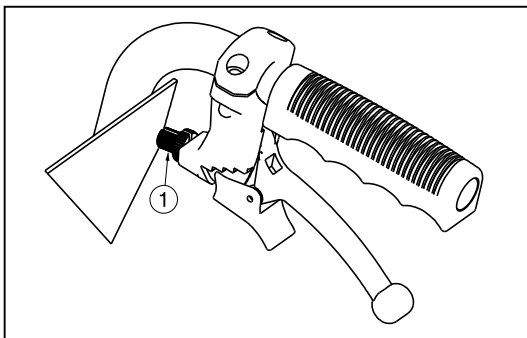
Der Winkel des Fußplatten wird wie folgt eingestellt:

1. Lösen Sie die Schraube ①.
2. Verstellen Sie das Rohr ② in den gewünschten Winkel. Die Winkelanzeige (95°-100°-105°-110°-115°) kann an den Strichen ③ abgelesen werden.
3. Ziehen Sie die Schraube ① wieder fest.

## 4.5 Einstellen der Bremsen



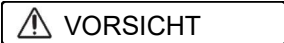
Verletzungsgefahr – Bremsen dürfen nur vom Fachhändler eingestellt werden.



1. Drehen Sie an Teil ①, um die Bremsspannung anzupassen.
2. Prüfen Sie die ordnungsgemäße Funktion der Bremsen.
3. Drehen Sie bei Bedarf so lange an Teil ①, bis die Bremsen korrekt angepasst sind.

## 5 Wartung

### 5.1 Wartungspunkte



Gefahr von Verletzungen und Schäden

Reparaturen und Teileaustausch dürfen nur von geschultem Personal durchgeführt werden und es dürfen nur Originalersatzteile von Vermeiren verwendet werden.

**i** Auf der letzten Seite dieses Handbuchs befindet sich ein Registrierungsformular, auf dem der Fachhändler jeden Service dokumentieren kann.

Die Wartungshäufigkeit hängt von der Häufigkeit und Intensität der Nutzung ab. Wenden Sie sich an Ihren Händler, um einen allgemeinen Zeitplan für Inspektion/Wartung/Reparatur zu vereinbaren.

Hinweise zur Wartung entnehmen Sie bitte der Website von Vermeiren: [www.vermeiren.com](http://www.vermeiren.com).

#### *Vor jeder Benutzung*

Kontrollieren Sie folgende Punkte:

- Alle Komponenten: Vorhanden und nicht beschädigt oder verschlissen sind.
- Alle Komponenten: Reinigung, siehe Kapitel 5.2.2.
- Räder, Rückenlehne, Sitz, Wadenlehnen, Armlehnen, Fußplatte: Sind korrekt gesichert.
- Zustand der Räder/Reifen (siehe Kapitel 5.2.1).
- Zustand der Rahmenteile: Keine Deformation, Instabilität, Schwachstelle oder lose Verbindungen.
- Sitz, Rückenlehne, Armpolster, Wadenpolster und Kopfstütze (falls vorhanden): Kein übermäßiger Verschleiß (wie Eindellungen, Beschädigungen oder Risse).
- Bremsen: Unbeschädigt und funktionsfähig.

Wenden Sie sich wegen etwaiger Reparaturen oder Ersatzteile an Ihren Fachhändler.

#### *Jährlich oder häufiger*

Lassen Sie Ihren Rollstuhl mindestens einmal pro Jahr oder häufiger von Ihrem Fachhändler inspizieren und warten. Die minimale Wartungshäufigkeit ist von der Benutzung abhängig und sollte daher zusammen mit Ihrem Fachhändler abgesprochen werden.

### 5.2 Wartungshinweise

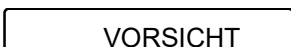
#### 5.2.1 Räder und Reifen

**i** Die korrekte Funktionsweise der Bremsen ist vom Zustand der Reifen abhängig und kann sich infolge von Verschleiß und Verunreinigung (Wasser, Öl, Matsch usw.) verändern.

Achten Sie darauf, dass keine Drähte, Haare, Sand oder Fasern an den Rädern anhaften.

Überprüfen Sie regelmäßig das Reifenprofil. Wenn die Profiltiefe weniger als 1 mm beträgt, muss der Reifen ausgetauscht werden. Wenden Sie sich diesbezüglich bitte an Ihren Fachhändler.

#### 5.2.2 Reinigung



Beschädigungsgefahr durch Feuchtigkeit

- Benutzen Sie keinesfalls einen Wasserschlauch oder Hochdruckreiniger, um den Rollstuhl zu reinigen.

Wischen Sie alle festen Teile des Rollstuhls mit einem feuchten (nicht durchnässten) Tuch ab. Benutzen Sie ggf. eine milde Seife, die für Lacke und Kunststoffe geeignet ist.

Die Polsterung kann mit lauwarmem Wasser und einer milden Seife gereinigt werden. Verwenden Sie keine scheuernden Reinigungsmittel.

### 5.2.3 Desinfektion

VORSICHT

Beschädigungsgefahr

- Eine Desinfektion darf nur von dafür geschultem Personal durchgeführt werden. Wenden Sie sich hierfür an Ihren Fachhändler.

## 5.3 Störungsbeseitigung

Auch bei ordnungsgemäßer Benutzung Ihres Rollstuhls kann ein technisches Problem auftreten. In diesem Fall wenden Sie sich bitte an Ihren Fachhändler.



WARNUNG

Gefahr von Verletzungen und Schäden am Rollstuhl.

- Versuchen Sie NIEMALS, Ihren Rollstuhl selbst zu reparieren.

Die nachstehend genannten Symptome können auf ein ernsthaftes Problem hindeuten. Sie sollten sich daher stets an Ihren Fachhändler wenden, wenn eine der folgenden Situationen eintritt:

- Ungewöhnliche Geräusche
- Ungleichmäßige Abnutzung an einem der Reifen
- Ruckartige Bewegungen
- Rollstuhl zieht zu einer Seite
- Beschädigte oder gebrochene Radeinheiten

## 5.4 Voraussichtliche Nutzungsdauer

Die durchschnittliche Nutzungsdauer Ihres Rollstuhls beträgt 5 Jahre. Je nach Nutzungshäufigkeit, Betriebsbedingungen und Wartung kann die Nutzungsdauer Ihres Rollstuhls länger oder kürzer sein.

## 5.5 Wiedereinsatz

Lassen Sie den Rollstuhl vor jedem Wiedereinsatz gemäß den Anweisungen in §5.1 und §5.2 desinfizieren, inspizieren und warten.

## 5.6 Nutzungsende

Am Ende seiner Nutzungsdauer muss Ihr Rollstuhl gemäß den geltenden Umweltvorschriften entsorgt werden. Dazu wird er im besten Fall zerlegt, um den Transport wiederverwertbarer Teile zu erleichtern.



## 6 Technische Daten

Die nachstehenden technischen Daten gelten für diesen Rollstuhl nur bei Standardeinstellungen und optimalen Umgebungsbedingungen. Berücksichtigen Sie diese Details bei der Benutzung.

Die Werte gelten nicht mehr, falls Ihr Rollstuhl modifiziert wurde, beschädigt ist oder starke Verschleißerscheinungen aufweist.

Tabelle 1: Technische Daten

<b>Hersteller</b>	<b>Vermeiren</b>
<b>Typ</b>	<b>Manueller Rollstuhl</b>
<b>Modell</b>	<b>Bobby</b>

Beschreibung	Technische Daten	
Max. zulässiges Gewicht des Rollstuhlfahrers	115 kg	
Gesamtlänge mit Fußauflagen	950 mm	
Effektive Sitzbreite	420 mm	480 mm
Gesamtbreite (abhängig von der Sitzbreite)	575 mm	635 mm
Länge zusammengeklappt (ohne Fußauflage)	740 mm	
Breite zusammengeklappt	270 mm	
Höhe zusammengeklappt	750 mm	
Gesamtgewicht	11,00 kg	11,55 kg
Gewicht des schwersten Teils	9,40 kg	9,95 kg
Gewichte von Teilen, die demontierbar oder abnehmbar sind	<b>Fußauflagen: 1,60 kg</b>	
Statische Stabilität, bergab	10°	
Statische Stabilität, bergauf	10°	
Statische Stabilität, seitwärts	10°	
Effektive Sitztiefe	420 mm	
Höhe der Sitzoberfläche an der Vorderkante	500 mm	
Sitzwinkel	5°	
Rückenlehnenhöhe	380 mm	
Rückenlehnenwinkel	5°	
Abstand zwischen Fußauflagen und Sitz	370 – 500 mm	
Winkel zwischen Sitz und Fußauflagen	114°	
Abstand zwischen Armlehne und Sitz	220 mm	
Länge der Armlehne zur Unterfahrbarkeit	315 mm	
Greifreifendurchmesser	Nicht zutreffend	
Horizontale Lage der Achse (Deflektion)	21 mm	
Kleinster Wendekreis	1500 mm	
Durchmesser der Hinterräder	12,5"	
Reifendruck, Hinterräder (Antriebsräder),	Nicht zutreffend	
Durchmesser der Lenkräder	150 mm	
Reifenfülldruck Lenkräder (vorn)	Nicht zutreffend	
Temperaturbereich für Lagerung und Nutzung	5 °C - +41 °C	
Luftfeuchtigkeitsbereich für Lagerung und Nutzung	30% - 70%	

**Technische Änderungen vorbehalten. Messtoleranzen ± 15 mm / 1,5 kg / 1,5°**



## Indice

<b>Indice</b> .....	<b>1</b>
<b>Premessa</b> .....	<b>2</b>
<b>1 Il prodotto</b> .....	<b>3</b>
<b>2 Prima dell'uso</b> .....	<b>4</b>
2.1 Uso previsto .....	4
2.2 Significato dei simboli.....	4
2.3 Istruzioni generali di sicurezza .....	4
2.4 Trasporto.....	5
2.5 Chiusura - apertura della carrozzina .....	5
2.6 Magazzinaggio .....	5
<b>3 Utilizzo</b> .....	<b>6</b>
3.1 Montaggio o rimozione della pedana .....	6
3.2 Apertura / chiusura dello schienale .....	6
3.3 Utilizzo dei freni.....	7
3.4 Trasferimento della carrozzina all'interno e all'esterno.....	7
3.5 Posizione corretta della carrozzina .....	7
3.6 Spostamenti della carrozzina .....	7
<b>4 Installazione e regolazione</b> .....	<b>9</b>
4.1 Attrezzi .....	9
4.2 Modalità di consegna .....	9
4.3 Regolazione dei poggiatesta .....	9
4.4 Regolazione dell'inclinazione del piatto pedana.....	10
4.5 Regolazione dei freni .....	10
<b>5 Manutenzione</b> .....	<b>11</b>
5.1 Punti di manutenzione.....	11
5.2 Istruzioni per la manutenzione .....	11
5.3 Soluzione dei problemi di funzionamento.....	12
5.4 Durata prevista.....	12
5.5 Utilizzi successivi .....	12
5.6 Fine vita .....	12
<b>6 Specifiche tecniche</b> .....	<b>13</b>

## Premessa

**IT**

Congratulazioni! Ora possiede una carrozzina Vermeiren!

Questa carrozzina è realizzata da personale qualificato e competente. Essa è progettata e prodotta secondo gli elevati standard di qualità garantiti da Vermeiren.

Leggere attentamente questo manuale, in quanto aiuta a familiarizzarsi con il funzionamento, le prestazioni e le limitazioni della carrozzina. Per eventuali ulteriori domande successive alla lettura di questo manuale, rivolgersi al proprio rivenditore specializzato, che sarà lieto di fornire un supporto.

### Nota importante

Per garantire la propria sicurezza e prolungare la durata del prodotto, trattarlo con cura e farlo controllare e/o sottoporlo a manutenzione con regolarità.

Questo manuale rispecchia gli sviluppi più recenti del prodotto. Vermeiren si riserva il diritto di introdurre modifiche di questo tipo di prodotto senza alcun obbligo di adattare o sostituire i prodotti analoghi consegnati in precedenza.

Le immagini vengono utilizzate per chiarire le istruzioni contenute nel manuale. I dettagli del prodotto raffigurato possono essere diversi da quelli del prodotto in uso.

### Informazioni disponibili

Sul sito Web di Vermeiren, all'indirizzo <http://www.vermeiren.com/>, è sempre disponibile la versione più recente delle informazioni contenute in questo manuale. Visitare con regolarità tale sito per verificare l'esistenza di eventuali aggiornamenti.

Le persone ipovedenti possono scaricare la versione elettronica di questo manuale e farlo leggere da un software applicativo di sintesi vocale.



Manuale di istruzioni

Per l'utente e il rivenditore specializzato



Manuale di assistenza per le carrozzine

Per il rivenditore specializzato



Dichiarazione di conformità CE

## 1 Il prodotto

IT



1. Crociera
2. Impugnature
3. Schienale
4. Imbottitura dei braccioli
5. Braccioli
6. Ruote motrici (ruote posteriori)
7. Freni
8. Leva di ribaltamento
9. Ruote direttrici (ruote anteriori)
10. Pedane
11. Appoggiapiedi
12. Sedile
13. Posizione della targhetta di identificazione

## 2 Prima dell'uso

### 2.1 Uso previsto

Questo paragrafo fornisce una breve descrizione dell'uso previsto della carrozzina. Gli altri paragrafi aggiungono inoltre alle istruzioni ulteriori avvertenze di rilievo. Vermeiren desidera in tal modo portare all'attenzione dell'utente gli eventuali usi errati che possono presentarsi.

- **Indicazioni e controindicazioni:** La carrozzina è spinta da un accompagnatore. La carrozzina è destinata a persone con difficoltà motorie, da utilizzare in modo non permanente e per il trasporto. Le diverse versioni di allestimento degli accessori e la concezione modulare consentono l'utilizzo della carrozzina per usi geriatrici.
- La carrozzina può essere utilizzata sia all'interno che in spazi esterni.
- La carrozzina è destinata al trasporto di una sola persona di peso non superiore a 115 kg. Essa non è viceversa progettata per il trasporto di merci od oggetti, né per qualunque uso diverso da quello descritto in precedenza.
- Utilizzare esclusivamente accessori e ricambi approvati da Vermeiren.
- Leggere tutte le informazioni tecniche di dettaglio e le limitazioni della carrozzina, riportate nel capitolo 6.
- La garanzia del prodotto presuppone un uso e una manutenzione normali del medesimo, come descritti in questo manuale. I danni al prodotto dovuti a uso improprio o manutenzione carente causano la decadenza della garanzia.

### 2.2 Significato dei simboli



Peso massimo dell'utente, in kg



Uso al coperto / all'aperto



Pendenza massima di sicurezza, in ° (gradi).



Indicazione del modello

### 2.3 Istruzioni generali di sicurezza

- Non utilizzare la carrozzina se si è sotto l'effetto di alcool, farmaci o altre sostanze in grado di influire sulle proprie capacità di manovra.
- Non dimenticare che alcune parti della carrozzina possono diventare molto calde o fredde a causa della temperatura ambiente, della radiazione solare o di dispositivi di riscaldamento. Prestare attenzione quando si tocca la console. In condizioni climatiche fredde, indossare indumenti protettivi. In caso di uso all'aperto, è possibile utilizzare guanti da equitazione per migliorare la presa sui corrimani.
- Non modificare in alcun modo la carrozzina.
- Verificare che nessun oggetto o parte del corpo finisca tra i raggi delle ruote motrici onde evitare lesioni e/o danni alla sedia a rotelle.

Tieni presente che il tuo carrozzina potrebbe interferire con qualche sistema di antifurto, a seconda delle impostazioni utilizzate ciò potrebbe fra scattare l'allarme del negozio.

Nel caso in cui si sia verificato un grave incidente con il vostro prodotto, informate Vermeiren o il vostro rivenditore specializzato e l'autorità competente del vostro paese.

## 2.4 Trasporto

### 2.4.1 Spostamento

Il modo migliore per trasportare la carrozzina è facendola scorrere usufruendo delle ruote.

Se ciò non è possibile (per es. quando le ruote posteriori sono state tolte per il trasporto in auto), afferrare saldamente il telaio dalla parte anteriore e dalle impugnature. Non utilizzare la parte inferiore, i braccioli o le ruote per afferrare la carrozzina.

### 2.4.2 Trasporto su veicoli, come bagaglio



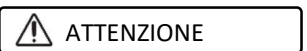
AVVERTENZA

Rischio di lesioni



- NON utilizzare la carrozzina come sedile in un veicolo; vedere il simbolo successivo.
  - Controllare che la carrozzina sia fissata in modo adeguato, per evitare lesioni ai passeggeri in caso di collisioni o frenate brusche.
  - NON utilizzare la stessa cintura di sicurezza per il passeggero e per la carrozzina.
1. Ripiegare la carrozzina fino alle dimensioni più compatte, attenendosi alle istruzioni fornite nel §2.5.
  2. Riporre la carrozzina e le sue ruote nel bagagliaio o dietro il sedile del passeggero. Se il bagagliaio e l'abitacolo NON sono separati o chiusi, assicurare saldamente il telaio della carrozzina al veicolo.

## 2.5 Chiusura - apertura della carrozzina



ATTENZIONE

Possibilità di pizzicamento - Non infilare le dita tra i componenti della carrozzina.

*Chiusura della carrozzina:*

1. Ripiegare o rimuovere le pedane (vedere la sezione § 3.1).
2. Ripiegare lo schienale (vedere §3.2).
3. Afferrare il sedile dalla parte anteriore e dallo schienale e tirarlo verso l'alto.
4. Premere sulle impugnature per piegare ulteriormente la carrozzina.

*Apertura della carrozzina:*

1. Posizionarsi dietro la carrozzina.
2. Aprire lo schienale (vedere §3.2).
3. Utilizzare le impugnature per aprire la carrozzina il più possibile.
4. Posizionarsi davanti alla carrozzina.
5. Premere entrambi i profilati tubolari della seduta verso il basso fino a quando non risultano fissati nella posizione corretta.

## 2.6 Magazzinaggio



Avere cura di immagazzinare la carrozzina in un ambiente asciutto, per evitare la formazione di muffa o danni alla selleria; vedere inoltre il capitolo 6.

## 3 Utilizzo

**ATTENZIONE**

Rischio di lesioni e/o danni

- Leggere anzitutto il capitolo precedente per familiarizzarsi con l'uso previsto. **NON** utilizzare la carrozzina senza avere letto e compreso a fondo tutte le istruzioni.
- In caso di dubbi o domande, non esitare a rivolgersi al proprio rivenditore specializzato di zona, al proprio fornitore di cure sanitarie o a un consulente tecnico per un aiuto al riguardo
- Accertarsi che durante l'uso o la regolazione mani, indumenti, cinture, fibbie o gioielli non si impiglino nelle ruote o in altri componenti in movimento.

### 3.1 Montaggio o rimozione della pedana

**ATTENZIONE**

Rischio di lesioni

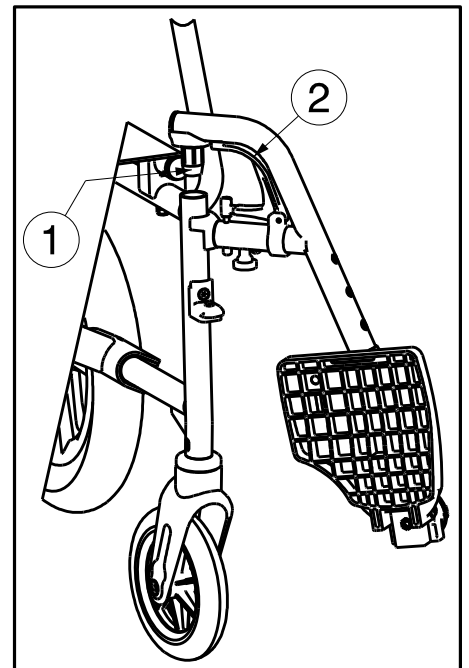
- Prima dell'uso, verificare che i pedana siano bloccati saldamente nella posizione corretta.
- Tenere qualsiasi oggetto lontano dalla pedane durante l'installazione o la rimozione delle stesse.

Montare i pedana nel modo seguente:

1. Reggere la pedana lateralmente dalla parte esterna del telaio della carrozzina e inserire la chiusura del profilato tubolare (1) nel telaio.
2. Ruotare la pedana verso l'interno fino a quando non scatta nella posizione corretta.
3. Ruotare la pedana verso il basso.

Per rimuovere la pedane:

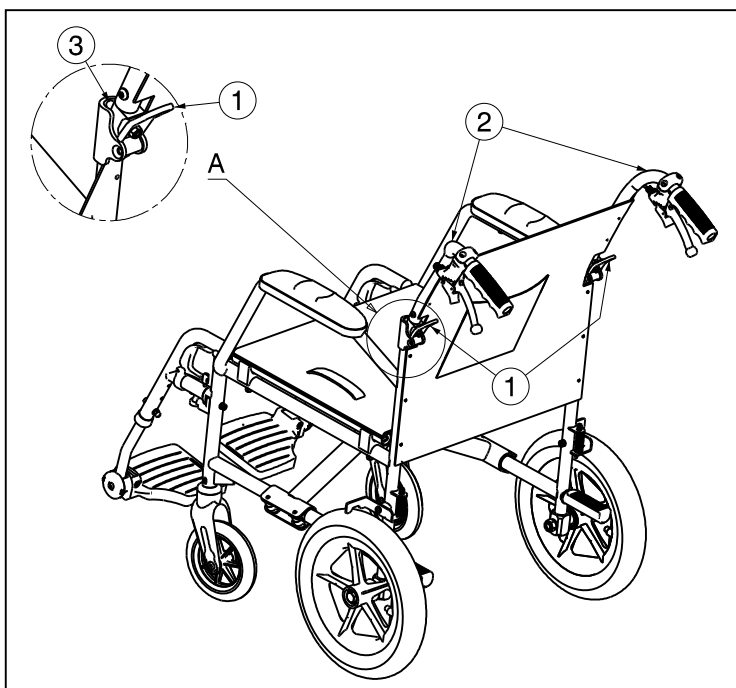
1. Tirare l'impugnatura (2).
2. Ruotare la pedana verso l'esterno della carrozzina finché non si sgancia dalla guida.
3. Sfilare la pedana dalla chiusura del profilato tubolare (1).



### 3.2 Apertura / chiusura dello schienale

**AVVERTENZA**

Rischio di lesioni – Prima dell'uso, verificare che lo schienale sia bloccato saldamente nella posizione corretta.



Per chiudere lo schienale procedere come segue :

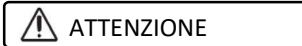
1. Premere sulle leve ①, sino a che il perno ③ esca dal foro.
2. Spingere sulla parte alta dei tubi dello schienale ② verso l'alto sino a quando lo schienale non sarà completamente chiuso

Per aprire lo schienale:

1. Tirare i tubi dello schienale ② verso il basso sino a quando lo schienale è agganciato saldamente.
2. Assicurarsi che lo schienale sia ben fermo al suo posto.



### 3.3 Utilizzo dei freni



ATTENZIONE

Rischio di lesioni

- Non utilizzare i freni per rallentare la carrozzina durante la marcia, utilizzarli solo per prevenire movimenti indesiderati della carrozzina.
- Sull'adeguato funzionamento dei freni incidono l'usura e la mancanza di pulizia delle ruote, ad esempio presenza di acqua, olio o fango. Verificare le condizioni delle ruote prima di ogni utilizzo.
- I freni sono regolabili e possono usurarsi. Verificare il funzionamento dei freni prima di ogni utilizzo.
- Accertarsi che la carrozzina sia su una superficie piana prima di rilasciare i freni. Non rilasciare mai entrambi i freni contemporaneamente.

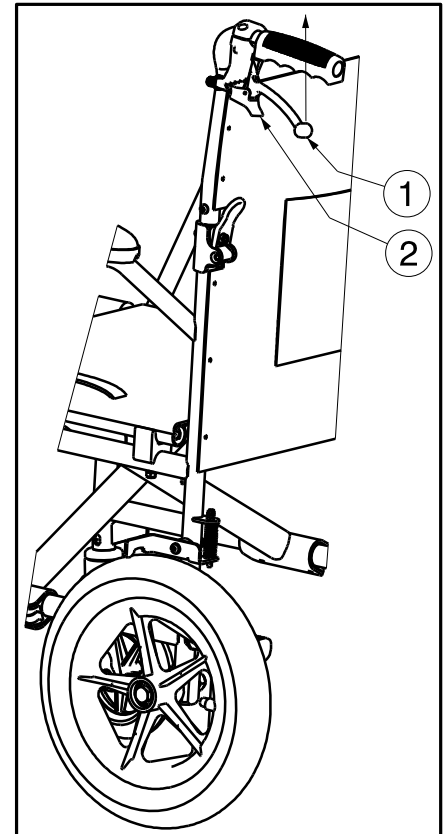
I freni possono essere comandati solo dall'accompagnatore.

Per frenare:

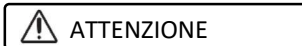
1. Tirare le leve del freno (1) verso l'alto.
2. Spingere la leva sottostante (2) per bloccare i freni.

Per rilasciare i freni:

1. Rilasciare la leva sottostante (2).
2. Rilasciare le leve del freno (2).



### 3.4 Trasferimento della carrozzina all'interno e all'esterno

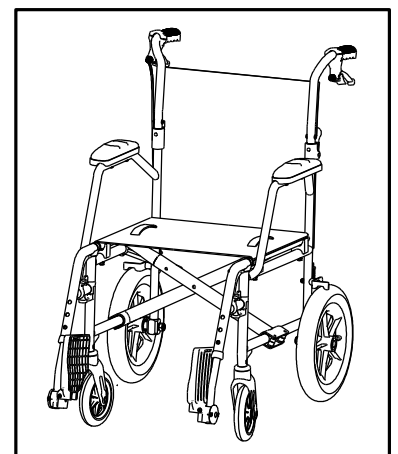


ATTENZIONE

Rischio di lesioni e/o danni

- Nel caso in cui non si riesca a eseguire il trasferimento in modo sicuro, chiedere assistenza.
- Non stare in piedi sui poggiapiedi.

1. Posizionare la carrozzina il più vicino possibile alla sedia, alla poltrona o al letto verso il quale si desidera trasferire il paziente.
2. Verificare che entrambi i freni della carrozzina siano attivati.
3. Ripiegare le pedane verso l'alto per evitarne l'utilizzo come punto di appoggio.
4. Trasferimento da/verso la carrozzina.



### 3.5 Posizione corretta della carrozzina

Alcuni consigli per un utilizzo confortevole della carrozzina:

- Posizionare la parte posteriore il più vicino possibile allo schienale.
- Accertarsi che le cosce siano in posizione orizzontale, se necessario regolare la lunghezza dei poggiapiedi (vedere § 4.3).

### 3.6 Spostamenti della carrozzina



ATTENZIONE

Rischio di lesioni e danni

- Prima di ogni utilizzo, verificare che:
  - i freni di parcheggio funzionino correttamente.
  - gli pneumatici siano in buone condizioni; vedere il § 5.
- Avere cura di evitare che le dita restino impigliate nei raggi delle ruote.

IT

- NON effettuare spostamenti su superfici inclinate, ostacoli, gradini o cordoli di dimensioni superiori a quelle specificate nel § 6.
- Quando ci si ferma su una superficie (poco) inclinata, utilizzare i freni.
- Quando si procede in salita o in discesa su superfici inclinate, accertarsi che tutte e quattro le ruote siano a contatto con il suolo.
- Affrontare le superfici alla minima velocità possibile.
- Quando si percorrono strade pubbliche, rimanere sempre sul marciapiede.
- Prestare attenzione quando si procede su strade con buche o fessure in cui le ruote possano incastrarsi.
- Evitare sassi o altri oggetti in grado di bloccare le ruote.
- Quando si affronta un ostacolo, accertarsi che le pedane non tocchino terra.
- Non utilizzare la carrozzina sulle scale mobili.
- Se disponibile, indossare la cintura di sicurezza.
- Tenere sempre conto del raggio di rotazione della pedana, per evitare di causare lesioni alle persone o danni materiali.
- Le scale devono sempre essere affrontate con l'aiuto di due assistenti.
- Non tentare mai di utilizzare scale inadatte alle carrozzine.

## 4 Installazione e regolazione

Le istruzioni contenute nel presente capitolo sono destinate al rivenditore.

La carrozzina Vermeiren Bobby è stata progettata per brevi spostamenti e per facilitare i trasferimenti.

Per individuare il centro assistenza o il rivenditore specializzato più vicino, contattare il centro Vermeiren.

**IT**

 AVVERTENZA

Rischio di lesioni e danni

- Utilizzare solo le regolazioni descritte in questo manuale.
- La modifica delle regolazioni consentite può determinare una variazione nella stabilità della carrozzina (ribaltamento all'indietro o laterale).

### 4.1 Attrezzi

Per montare la carrozzina sono necessari i seguenti strumenti.

- Set di chiavi dal n° 10
- Set di chiavi a brugola dal n° 10
- Cacciavite a stella

### 4.2 Modalità di consegna

La carrozzina Vermeiren Bobby può essere distribuita con:

- 1 telaio con braccioli, ruote anteriori e posteriori
- 1 coppia di poggiatesta
- Attrezzi
- Manuale
- Accessori (facoltativo)

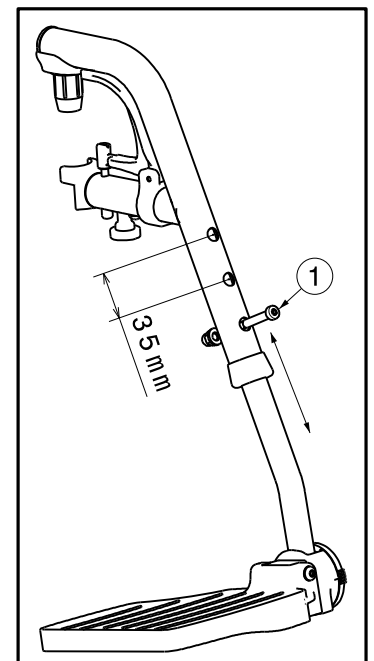
### 4.3 Regolazione dei poggiatesta

 ATTENZIONE

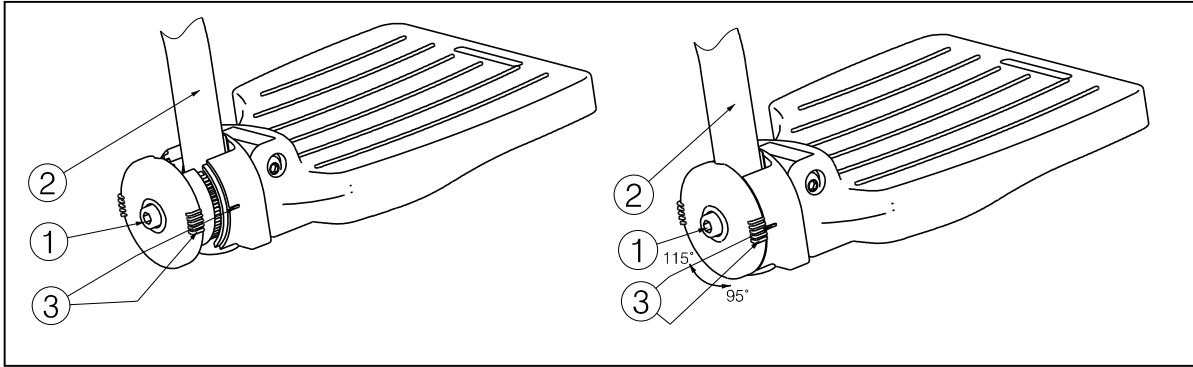
Rischio di danneggiamento - Evitare che i poggiatesta siano a contatto con il suolo. Tenere una distanza minima di 60 mm dal suolo.

È possibile regolare la lunghezza delle pedane attendendosi alle seguenti istruzioni ((3 fori sul tubo interno, 3 fori sul tubo esterno; gamma di 120mm)):

1. Rimuovere la vite (1).
2. Regolare il poggiatesta a un'altezza confortevole per il paziente.
3. Serrare la vite (1) in modo adeguato.



## 4.4 Regolazione dell'inclinazione del piatto pedana

**IT**

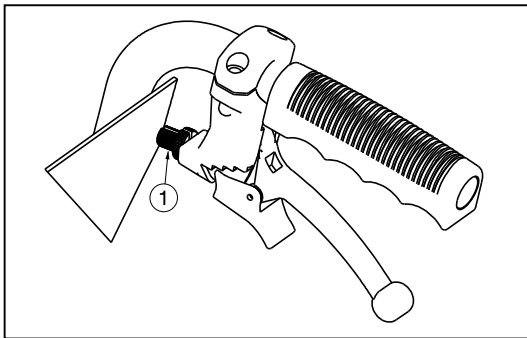
Regolare l'inclinazione del piatto pedana nel modo seguente:

1. Allentare il bullone ①.
2. Regolare il profilato tubolare ② con l'angolazione desiderata. L'indicazione dell'angolazione (95°-100°-105°-110°-115°) è segnalata dai trattini ③.
3. Serrare nuovamente il bullone ①.

## 4.5 Regolazione dei freni



Rischio di lesione. I freni devono essere regolati solo dal rivenditore specializzato.



1. Ruotare il perno vicino alla leva ① per regolare la tensione dei freni.
2. Verificare il funzionamento dei freni.
3. Se necessario ruotare nuovamente il perno ① sino alla regolazione ottimale.

## 5 Manutenzione

### 5.1 Punti di manutenzione

**IT****ATTENZIONE**

Rischio di lesioni e danni

Riparazioni e sostituzioni devono essere eseguite esclusivamente da personale con un'opportuna formazione e utilizzando unicamente ricambi originali Vermeiren.

**i** L'ultima pagina di questo manuale contiene un modulo di registrazione che consente ai rivenditori specializzati di registrare ogni intervento di assistenza.

La frequenza dell'assistenza dipende dalla frequenza e dall'intensità dell'uso. Concordare con il proprio rivenditore un calendario comune per le attività di ispezione / manutenzione / riparazione.

Per il manuale di manutenzione consultate il sito web Vermeiren: [www.vermeiren.com](http://www.vermeiren.com).

#### *Prima di ciascun utilizzo*

Verificare i seguenti punti:

- Tutti i componenti: presenza, integrità e assenza di usura.
- Tutti i componenti: pulizia, vedere il § 5.2.2.
- Ruote, schienale, sedile, poggiatesta, braccioli e pedana: fissaggio corretto.
- Condizioni delle ruote / degli pneumatici: vedere il § 5.2.1;
- Condizioni dei componenti del telaio: assenza di deformazioni, instabilità, punti deboli o raccordi allentati
- Sedile, schienale, poggiatesta (se presente) e imbottiture di braccioli e poggiatesta: assenza di usura eccessiva (come ammaccature, danni o lacerazioni).
- Freni: integri e funzionanti

Rivolgersi al proprio rivenditore specializzato per le riparazioni o i ricambi eventualmente necessari.

#### *Annualmente o con maggiore frequenza*

Almeno una volta all'anno, o con maggiore frequenza, richiedere al proprio rivenditore specializzato un intervento di ispezione e manutenzione della carrozzina. La frequenza minima di manutenzione dipende dall'uso, e deve pertanto essere concordata con il proprio concessionario autorizzato.

## 5.2 Istruzioni per la manutenzione

### 5.2.1 Ruote e pneumatici

**i** Il funzionamento corretto dei freni dipende dallo stato degli pneumatici, e può variare a seconda dell'usura e dell'eventuale contaminazione (acqua, olio, fango e così via).

Tenere pulite le ruote da fili, capelli, sabbia e fibre.

Verificare il profilo degli pneumatici. Se la profondità del battistrada è inferiore a 1 mm, occorre sostituire gli pneumatici. A tale scopo, rivolgersi al proprio rivenditore specializzato.

### 5.2.2 Pulizia

**ATTENZIONE**

Rischio di danni da umidità

- Non pulire la carrozzina con manichette o pulitrici ad alta pressione.

Strofinare tutti i componenti rigidi della carrozzina con un panno umido (non zuppo). Se necessario, utilizzare un detergente delicato, adatto per smalti e materiali sintetici.

È possibile pulire la selleria con acqua tiepida e un detergente delicato. Non utilizzare detersivi abrasivi per la pulizia.

**IT**

### 5.2.3 Disinfezione

**ATTENZIONE**

Rischio di danni

- La disinfezione deve essere eseguita esclusivamente da personale con un'opportuna formazione. Consultare il proprio rivenditore specializzato.

## 5.3 Soluzione dei problemi di funzionamento

Anche se si utilizza la carrozzina nel modo corretto, è comunque possibile che si verifichi un problema tecnico. In tal caso, rivolgersi al rivenditore specializzato della propria zona.

**AVVERTENZA**

Rischio di lesioni e di danni alla carrozzina

- NON tentare MAI di riparare personalmente la carrozzina.

I sintomi indicati di seguito possono segnalare un problema grave. Rivolgersi pertanto sempre al proprio rivenditore specializzato se si rileva una qualunque delle seguenti anomalie:

- Rumori strani;
- Usura irregolare del battistrada di uno pneumatico;
- Movimenti a scatti;
- Tendenza della carrozzina a deviare lateralmente;
- Gruppi ruota danneggiati o spezzati.

## 5.4 Durata prevista

La carrozzina ha una durata media prevista di 5 anni. Tale valore aumenta o diminuisce a seconda della frequenza di utilizzo, delle condizioni di guida e della manutenzione.

## 5.5 Utilizzi successivi

Prima di ogni utilizzo successivo, fare disinfettare, ispezionare e sottoporre a manutenzione la carrozzina secondo le istruzioni dei §5.1 e §5.2 .

## 5.6 Fine vita

A fine vita, occorre smaltire la carrozzina conformemente alla legislazione ambientale locale. Il modo migliore per farlo consiste nello smontare la carrozzina per agevolare il trasporto dei componenti riciclabili.

## 6 Specifiche tecniche

I dettagli tecnici riportati di seguito sono validi soltanto per la carrozzina oggetto del manuale, con le impostazioni standard e in condizioni ambiente ottimali. Durante l'uso, tenere conto di questi dati di dettaglio. I valori indicati non sono più validi se la carrozzina ha subito modifiche o danni, oppure presenta un livello elevato di usura.



Tabella 1: Specifiche tecniche

<b>Produttore</b>	<b>Vermeiren</b>
<b>Tipo</b>	<b>Carrozzina manuale</b>
<b>Modello</b>	<b>Bobby</b>

Descrizione	Specifiche	
Peso massimo dell'occupante	115 kg	
Lunghezza complessiva con bracciolo	950 mm	
Larghezza effettiva del sedile	420 mm	480 mm
Larghezza complessiva (in base alla larghezza del sedile)	575 mm	635 mm
Lunghezza ripiegata senza bracciolo	740 mm	
Larghezza ripiegata	270 mm	
Altezza ripiegata	750 mm	
Peso totale	11,00 kg	11,55 kg
Massa della parte più pesante	9,40 kg	9,95 kg
Peso delle parti smontabili o rimovibili	<b>Poggiapiedi: 1,60 kg</b>	
Stabilità statica in discesa	10°	
Stabilità statica in salita	10°	
Stabilità statica laterale	10°	
Profondità effettiva del sedile	420 mm	
Altezza della superficie del sedile all'estremità anteriore	500 mm	
Inclinazione del sedile	5°	
Altezza dello schienale	380 mm	
Inclinazione dello schienale	5°	
Distanza tra poggiatesta e sedile	370 – 500 mm	
Angolazione tra sedile e poggiatesta	114°	
Distanza tra braccioli e sedile	220 mm	
Posizione anteriore della struttura del bracciolo	315 mm	
Diametro dei corrimano	Non applicabile	
Posizione orizzontale dell'asse (deflessione)	21 mm	
Diametro di sterzata minimo	1500 mm	
Diametro delle ruote posteriori	12,5"	
Pressione di gonfiaggio pneumatici, ruote motrici/posteriori	Non applicabile	
Diametro delle ruote direzionali	150 mm	
Pressione di gonfiaggio pneumatici, ruote anteriori (direzionali)	Non applicabile	
Temperatura per utilizzo e conservazione	+ 5 °C - + 41 °C	
Umidità per utilizzo e conservazione	30% - 70%	

**La casa produttrice si riserva il diritto di apportare modifiche tecniche.  
Tolleranza misurazioni ± 15 mm / 1,5 kg / 1,5° .**





# Índice

<b>Índice</b>	<b>1</b>
<b>Introducción</b>	<b>2</b>
<b>1 Su producto</b>	<b>3</b>
<b>2 Ante de su uso</b>	<b>4</b>
2.1 Uso previsto	4
2.2 Explicación de los símbolos	4
2.3 Instrucciones generales de seguridad	4
2.4 Transporte	5
2.5 Plegado/Despliegue de la silla de ruedas	5
2.6 Almacenamiento	5
<b>3 Utilizar la silla de ruedas</b>	<b>6</b>
3.1 Montaje y desmontaje de los reposapiés	6
3.2 Plegado / Despliegue del respaldo	6
3.3 Accionamiento de los frenos	7
3.4 Traslado a la silla de ruedas y desde esta	7
3.5 Conducción de la silla de ruedas	8
<b>4 Instalación y ajuste</b>	<b>9</b>
4.1 Herramientas	9
4.2 Forma de suministro	9
4.3 Ajuste de los reposapiés	9
4.4 Ajuste del ángulo de las paletas del reposapiés	10
4.5 Ajuste de los frenos	10
<b>5 Mantenimiento</b>	<b>11</b>
5.1 Puntos de mantenimiento	11
5.2 Instrucciones de mantenimiento	11
5.3 Resolución de problemas	12
5.4 Vida útil prevista	12
5.5 Reutilizar	12
5.6 Fin de vida útil	12
<b>6 Especificaciones técnicas</b>	<b>13</b>

## Introducción

¡Felicidades! Es usted el propietario de una silla de ruedas Vermeiren.

Esta silla de ruedas ha sido fabricada por personal experto y cualificado. Se ha diseñado y fabricado según los más altos estándares de calidad implementados por Vermeiren.

Lea este manual detenidamente. Le ayudará a familiarizarse con el manejo, las capacidades y limitaciones de su silla de ruedas. Si todavía tiene alguna duda después de leer este manual, contacte con su distribuidor especializado, estará encantado de ayudarle.

### Nota importante

Para garantizar su seguridad y prolongar la vida útil de su producto, cuídalo bien y asegúrese de realizar revisiones y el mantenimiento correspondiente de manera regular.

Este manual refleja los desarrollos más recientes del producto. Vermeiren se reserva el derecho a implementar cambios en este tipo de producto sin que ello suponga obligación alguna de adaptar o cambiar productos similares previamente entregados.

Las imágenes se facilitan para clarificar las instrucciones contenidas en este manual. Los detalles del producto mostrado pueden variar con respecto a su producto.

### Información disponible

En nuestro sitio web <http://www.vermeiren.com/> siempre encontrará la versión más reciente de la información en este manual. Consulte este sitio web de manera regular para estar al tanto de posibles actualizaciones.

Las personas con discapacidad visual pueden descargarse la versión electrónica del manual y utilizar un software de síntesis de voz para poder oír su contenido.



Manual de instrucciones                      Para el usuario y el distribuidor especializado



Manual de mantenimiento para sillas de ruedas  
Para el distribuidor especializado



Declaración CE de conformidad

## 1 Su producto



1. Cruceta
2. Asideros
3. Respaldo
4. Almohadillas del reposabrazos
5. Reposabrazos
6. Ruedas de tracción (ruedas traseras)
7. Frenos
8. Tapón
9. Ruedas de dirección (ruedas delanteras)
10. Reposapiés
11. Paleta
12. Asiento
13. Placa de identificación de ubicaciones

## 2 Ante de su uso

### 2.1 Uso previsto

Este párrafo describe brevemente el uso previsto de la silla de ruedas. También se incluyen avisos pertinentes a las instrucciones en otros párrafos. De esta manera se pretende avisar al usuario de un eventual mal uso de la silla.

- Indicaciones y contraindicaciones: La silla de ruedas es empujada por un asistente. La silla de ruedas está diseñada para personas con movilidad reducida, para ser utilizada de forma no permanente y con fines de transporte. Los diferentes tipos de accesorios y su construcción modular permiten que sea usada plenamente por ancianos.
- La silla de ruedas puede ser usada en interiores y/o exteriores.
- La silla de ruedas está diseñada para transportar 1 persona con un peso máximo de 115 kg. No está diseñada para transportar mercancías u objetos, o para otros usos que no sean los descritos anteriormente.
- Utilizar sólo accesorios y piezas de repuesto aprobadas por Vermeiren.
- Consulte todos los datos técnicos y las limitaciones de la silla de ruedas en el capítulo 6.
- La garantía de este producto se basa en el uso y mantenimiento normales descritos en este manual. La garantía se invalida si el producto sufre cualquier daño causado por un uso indebido o falta de mantenimiento.

### 2.2 Explicación de los símbolos



Peso máximo del usuario en kg



Uso en interior/exterior



Pendiente máxima segura en ° (grados).



Tipo de modelo

### 2.3 Instrucciones generales de seguridad

- No utilizar la silla de ruedas si ha consumido alcohol, medicamentos u otras sustancias que afecten la capacidad de conducir.
- Téngase en cuenta que ciertas partes de la silla de ruedas pueden llegar a calentarse o enfriarse demasiado a causa de la temperatura ambiente, la luz del sol o la calefacción. Téngase cuidado al tocar la silla de ruedas. Llevar ropa protectora cuando haga frío. Cuando salga al exterior, puede utilizar guantes protectores para mejorar el agarre de los aros propulsores.
- No modificar esta silla de ruedas de ningún modo.
- Para evitar lesiones o daños en su silla de ruedas, asegúrese de que no haya objetos ni ninguna parte del cuerpo atrapados en los radios de las ruedas de tracción.

Tenga en cuenta que su silla de ruedas puede interferir con algunos tipos de sistemas antirrobo, según la configuración utilizada. Esto puede hacer que se active la alarma de la tienda.

En caso de que se produzca un incidente grave con su producto, notifique a Vermeiren o a su distribuidor especializado, así como a la autoridad competente de su país.

## 2.4 Transporte

### 2.4.1 Retirar del camino

La mejor forma de transportar la silla es empujarla y utilizar las ruedas.

Si no es posible (porque haya que levantar las ruedas traseras para cargarla en un coche, por ejemplo), cójala por el armazón delantero y por los asideros. No la agarre por los reposabrazos, reposapiés ni por las ruedas.

**ES**

### 2.4.2 Transporte mediante vehículo como equipaje


 PRECAUCIÓN Riesgo de lesiones

- NO utilizar la silla de ruedas como asiento en un vehículo; ver siguiente símbolo.
- Compruebe que la silla de ruedas está fijada correctamente para evitar cualquier daño a los pasajeros en caso de colisión o frenado brusco.
- No utilice NUNCA el mismo cinturón de seguridad para fijar la silla de ruedas y el pasajero.



1. Plegar la silla de ruedas hasta reducirla a su tamaño más compacto siguiendo las instrucciones del apartado 2.5.
2. Guardar la silla de ruedas y sus ruedas en el maletero o detrás del asiento del pasajero. Si el maletero y los asientos del coche NO están separados o cerrados, fijar bien el bastidor de la silla de ruedas al vehículo.

## 2.5 Plegado/Despliegue de la silla de ruedas

 PRECAUCIÓN Peligro de pillarse los dedos: no coloque los dedos entre los componentes de la silla de ruedas.

*Para plegar la silla de ruedas:*

1. Pliegue o retire las paletas (véase el apartado 3.1).
2. Pliegue el respaldo (véase el apartado 3.2).
3. Sujete el asiento por la parte delantera y trasera y tire de él hacia arriba.
4. Empuje las empuñaduras para plegar aún más la silla de ruedas.

*Desplegar la silla de ruedas:*

1. Sitúese detrás de la silla de ruedas.
2. Despliegue el respaldo (véase el apartado 3.2).
3. Use las empuñaduras para abrir la silla de ruedas tanto como le sea posible.
4. Sitúese delante de la silla de ruedas.
5. Empuje los dos tubos del asiento hacia abajo hasta que queden fijados en su posición.

## 2.6 Almacenamiento

- i** Asegurarse de que la silla de ruedas se almacena en un lugar seco para evitar la aparición de moho y que se dañe la tapicería; ver también el apartado 6.

### 3 Utilizar la silla de ruedas

**PRECAUCIÓN**

Riesgo de lesiones y daños

- Leer antes los capítulos anteriores e informarse sobre el uso previsto. NO utilizar la silla de ruedas si no se han leído detenidamente y entendido completamente todas las instrucciones.
- En caso de tener dudas o preguntas, contacte con su distribuidor especializado local, proveedor de cuidados o asesor técnico para recibir asesoramiento.
- Asegurarse de que las ruedas u otras piezas en movimiento no pinzan por accidente sus manos, ropa, cinturones, hebillas o joyas durante el uso o el ajuste.

#### 3.1 Montaje y desmontaje de los reposapiés

**PRECAUCIÓN**

Riesgo de lesiones

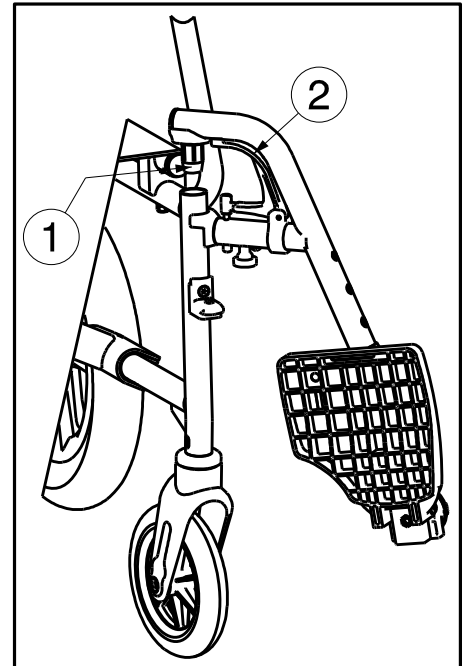
- Compruebe que los reposapiés están bloqueados en su lugar antes de usarlos.
- Mantenga los objetos lejos de la oscilación del reposapiés durante el montaje o el desmontaje de éstos.

El montaje de los reposapiés se realiza del modo siguiente:

1. Mantenga el reposapiés en posición vertical por la parte externa del armazón de la silla de ruedas e inserte el capuchón del tubo (1) en el armazón.
2. Gire el reposapiés hacia el interior hasta que encaje en su posición con un clic.
3. Gire la paleta hacia abajo.

Para retirar los reposapiés:

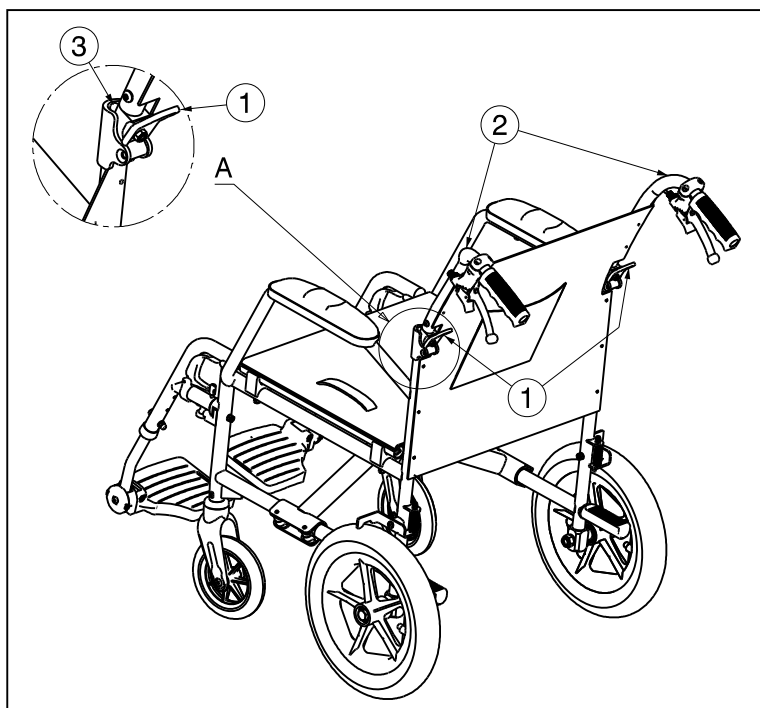
1. Tire del asa (2).
2. Gire el reposapiés hacia la parte externa de la silla de ruedas hasta que se afloje de la guía.
3. Saque el reposapiés del capuchón del tubo (1).



#### 3.2 Plegado / Despliegue del respaldo

**ADVERTENCIA**

Riesgo de lesiones: compruebe que el respaldo está bien fijado antes de usarlo.



Plegado del respaldo:

1. Tire de las palancas ①, hasta que el pasador ③ salga del agujero.
2. Tire hacia abajo los tubos superiores del respaldo ② hasta que el respaldo esté totalmente plegado.

Para desplegar el respaldo:

1. Tire de los tubos del respaldo ② hacia arriba hasta que el respaldo esté firmemente asegurado.
2. Compruebe que el respaldo esté bien fijado.

### 3.3 Accionamiento de los frenos



PRECAUCIÓN

Riesgo de lesiones

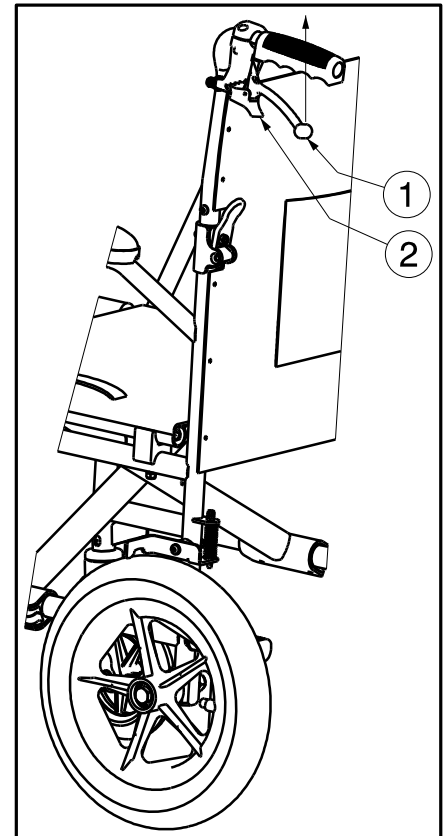
- Los frenos no se utilizan para reducir la velocidad de la silla de ruedas durante los movimientos. Utilice los frenos solo para evitar que la silla de ruedas realice movimientos no deseados.
- El buen funcionamiento de los frenos depende de su desgaste y de las sustancias presentes en ellas (agua, aceite, barro, etc.). Compruebe las condiciones de las ruedas antes de utilizarlas.
- Los frenos se pueden ajustar y pueden desgastarse. Compruebe el funcionamiento de los frenos antes de cada uso.
- Asegúrese de que la silla de ruedas se encuentre en una superficie horizontal plana antes de soltar los frenos. Nunca suelte ambos frenos a la vez.

*Para accionar los frenos:*

1. Tire de las palancas del freno (1) hacia arriba.
2. Presione la parte (2) para bloquear los frenos.

*Para soltar los frenos:*

1. Primero libere la parte (2).
2. Suelte las palancas del freno (1).



ES

### 3.4 Traslado a la silla de ruedas y desde esta



PRECAUCIÓN

Riesgo de lesiones y daños

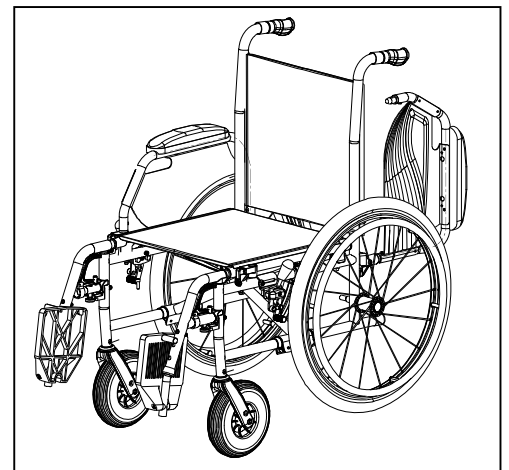
- En caso de que no pueda realizar el traslado de forma segura, pida a alguien que le ayude.
- No se ponga de pie en los reposapiés.

1. Coloque la silla de ruedas lo más cerca posible de la silla, el sillón o la cama desde la que desea trasladarse o a la que desee ir.
2. Compruebe que los dos frenos de la silla de ruedas estén accionados.
3. Pliegue las paletas del reposapiés hacia arriba para evitar ponerse de pie en ellos.
4. Traslado a/desde la silla de ruedas.

#### 3.4.1 Posición correcta en la silla de ruedas

Algunas recomendaciones para un uso cómodo de la silla de ruedas:

- Coloque la espalda lo más cerca posible del respaldo.
- Asegúrese de que la parte superior de las piernas se encuentre en posición horizontal. En caso necesario, ajuste la longitud de los reposapiés (véase el apartado 4.3).



### 3.5 Conducción de la silla de ruedas

 PRECAUCIÓN

Riesgo de lesiones y daños

- Antes de cada uso, asegurarse de que:
  - los frenos de estacionamiento funcionan adecuadamente.
  - los neumáticos están en buen estado, ver apartado 5.
- Tener cuidado de no pillarse los dedos con los radios de las ruedas.
- NO conducir en pendientes o sobre obstáculos, escalones o bordillos que excedan las dimensiones que se detallan en el apartado 6.
- Cuando se detenga en una pendiente (no muy inclinada), utilizar los frenos.
- Asegurarse de que las cuatro ruedas están en contacto con el suelo cuando se esté subiendo o bajando una pendiente.
- A la hora de conducir en zonas de pendiente, hacerlo lo más despacio posible.
- Permanecer siempre en la zona pavimentada cuando se circule por vías públicas.
- Prestar atención a la carretera para detectar baches o grietas en los que puedan quedar atrapadas las ruedas.
- Evitar las piedras u otros objetos que puedan bloquear las ruedas.
- Asegurarse de que los reposapiés no chocan contra el suelo cuando esté atravesando un obstáculo.
- No utilizar la silla de ruedas en escaleras mecánicas.
- Si se dispone de él, abrocharse el cinturón de seguridad.
- Téngase siempre en cuenta el alcance de giro del reposapiés para evitar lesionar a otras personas o dañar objetos.
- A la hora de atravesar escaleras, se debe contar siempre con la ayuda de dos auxiliares.
- No tratar nunca de utilizar escaleras que no estén diseñadas para sillas de ruedas.



## 4 Instalación y ajuste

**Este capítulo contiene instrucciones destinadas a los distribuidores especializados.**

La Bobby de Vermeiren es una silla de ruedas que ha sido diseñada para viajes cortos y para facilitar el traslado.

Para encontrar un centro de servicio o un distribuidor especializado cerca de usted, póngase en contacto con el centro Vermeiren más próximo.

**ES**

 PRECAUCIÓN

Riesgo de lesiones y daños

- Riesgo por ajustes peligrosos; utilice únicamente los ajustes indicados en este manual.
- Realizar ajustes en la silla puede hacer variar su estabilidad (inclinaciones hacia atrás o hacia los lados).

### 4.1 Herramientas

Para montar la silla de ruedas, necesita las siguientes herramientas.

- Juego de llaves inglesas del 10
- Juego de llaves Allen del 4
- Destornillador con cabeza Phillips

### 4.2 Forma de suministro

La silla Vermeiren Bobby se entrega con:

- 1 chasis con reposabrazos, ruedas delanteras y traseras
- 1 par de reposapiernas
- Herramientas
- Manual
- Accesorios (opcional)

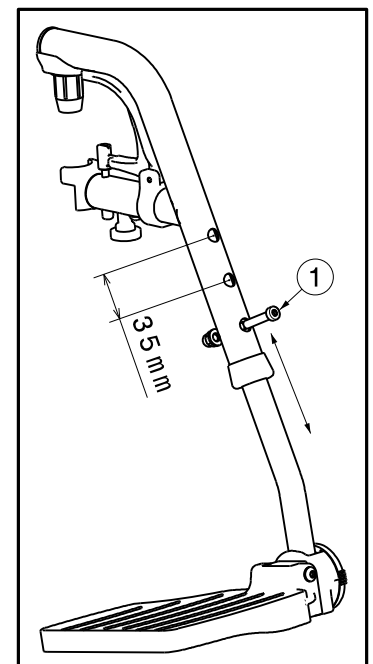
### 4.3 Ajuste de los reposapiés

 PRECAUCIÓN

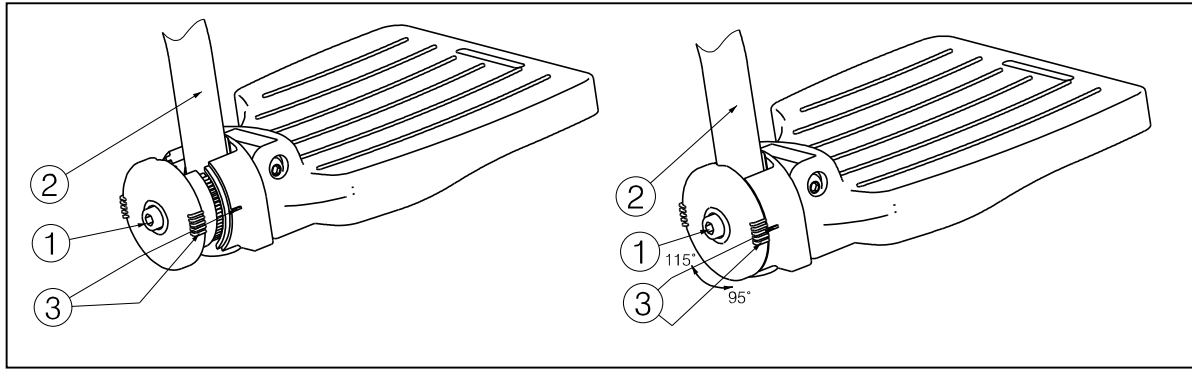
Riesgo de desperfectos: evite que los reposapiés entren en contacto con el suelo. Mantenga una distancia mínima de 60 mm por encima del suelo.

Ajuste la longitud de los reposapiés de la siguiente manera (3 agujeros en el tubo interior, 3 agujeros en el tubo exterior; alcance de 120mm):

1. Saque el tornillo (1).
2. Ajuste la longitud del reposapiés a la medida que le resulte cómoda.
3. Apriete el tornillo (1) correctamente.



## 4.4 Ajuste del ángulo de las paletas del reposapiés



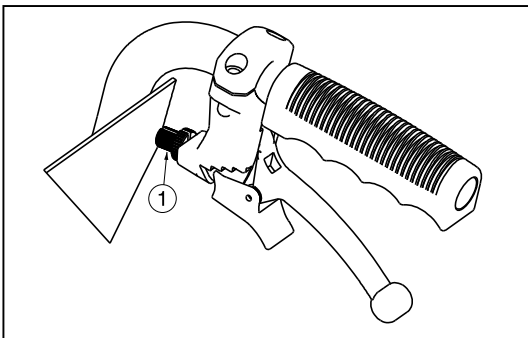
Ajuste el ángulo de las paletas del reposapiés como se indica a continuación:

1. Afloje el tornillo ①.
2. Ajuste el tubo ② en el ángulo deseado. Las marcas ③ indican el ángulo (95°-100°-105°-110°-115°)
3. Vuelva a apretar el perno ①.

## 4.5 Ajuste de los frenos



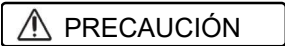
Riesgo de lesiones: sólo su distribuidor especializado puede ajustar los frenos.



1. Gire la parte ① para ajustar la tensión de los frenos.
2. Verifique el funcionamiento de los frenos.
3. Si es necesario, repita y gire la parte ① hasta que los frenos se ajusten bien.

## 5 Mantenimiento

### 5.1 Puntos de mantenimiento



Riesgo de lesiones y daños

ES

Cualquier reparación o cambios sólo pueden llevarse a cabo por personal debidamente cualificado y sólo pueden utilizarse piezas de recambio Vermeiren originales.

**i** La última página de este manual contiene un formulario de registro para que el distribuidor especializado pueda registrar cada mantenimiento.

La frecuencia de los mantenimientos depende de la frecuencia e intensidad de uso. Póngase en contacto con su distribuidor para acordar un horario común para realizar inspecciones, mantenimientos y reparaciones.

Para consultar el manual de mantenimiento, visite el sitio web de Vermeiren: [www.vermeiren.com](http://www.vermeiren.com).

#### *Antes de cada uso*

Inspeccionar los siguientes aspectos:

- Todas las piezas: Presentes y sin daños o desgastes.
- Todas las piezas: Limpieza, ver apartado 5.2.2.
- Ruedas, respaldo, asiento, soportes para pantorrillas, reposabrazos, reposapiés: Bien asegurados.
- Estado de las ruedas/los neumáticos, ver apartado 5.2.1;
- Estado de las piezas del bastidor: Sin deformaciones, inestabilidad, debilidad o conexiones sueltas
- Asiento, respaldo, almohadillas para los brazos y para las pantorrillas, reposacabezas (si corresponde): Sin desgaste excesivo (como abolladuras, daños o grietas).
- Frenos: Sin deterioro y en buen estado de funcionamiento

Póngase en contacto con el distribuidor especializado para posibles reparaciones o sustitución de piezas.

#### *Anualmente o más regularmente*

La silla de ruedas debe superar una inspección y una sesión de mantenimiento realizados por el distribuidor especializado por lo menos una vez al año, o con mayor frecuencia. La frecuencia mínima de mantenimiento depende del uso y debe, por tanto, acordarse mutuamente con el distribuidor especializado.

## 5.2 Instrucciones de mantenimiento

### 5.2.1 Ruedas y neumáticos

**i** El correcto funcionamiento de los frenos depende del estado de los neumáticos y puede cambiar debido al desgaste o la suciedad (agua, aceite, barro...).

Mantener las ruedas libres de cables, pelos, arena y fibras.

Comprobar el perfil de los neumáticos. Si la profundidad del dibujo es inferior a 1 mm, deben sustituirse los neumáticos. Ponerse en contacto con su distribuidor especializado a este respecto.

### 5.2.2 Limpieza



Riesgo de daños por humedad

- No utilizar nunca una manguera o un limpiador a alta presión para limpiar la silla de ruedas.

Limpiar todas las piezas rígidas de la silla de ruedas con un paño húmedo (no empapado). Si fuera necesario, utilizar un jabón suave que sea apto para limpiar superficies barnizadas y sintéticas.

La tapicería puede limpiarse con agua templada y jabón suave. No utilizar productos de limpieza abrasivos.

**ES**

### 5.2.3 Desinfección

**PRECAUCIÓN**

Riesgo de daños

- La desinfección sólo puede llevarla a cabo personal debidamente cualificado. Consultar con su distribuidor especializado al respecto.

## 5.3 Resolución de problemas

Aunque se utilice la silla de ruedas de la manera indicada, a veces pueden surgir problemas técnicos. En ese caso, póngase en contacto con su distribuidor especializado.

 **AVISO**

Riesgo de lesiones y daños a la silla de ruedas

- No intentar NUNCA reparar la silla de ruedas por cuenta propia.

Los siguientes signos pueden ser indicadores de un problema grave. Se recomienda, por tanto, ponerse en contacto con su distribuidor especializado si nota los siguientes problemas:

- Ruidos extraños;
- Desgaste desigual de la banda de uno de los neumáticos;
- Movimientos bruscos;
- La silla de ruedas se desvía a un lado;
- Ensamblajes de las ruedas dañados o rotos.

## 5.4 Vida útil prevista

La vida útil media de la silla de ruedas es de 5 años. La vida útil aumentará o disminuirá dependiendo de la frecuencia de uso, las circunstancias de conducción y el mantenimiento.

## 5.5 Reutilizar

Antes de reutilizar la silla de ruedas, desinfectarla, inspeccionarla y hacer que pase por un mantenimiento según las instrucciones en el §5.1 y el §5.2.

## 5.6 Fin de vida útil

Al final de la vida útil, deberá desechar la silla de ruedas siguiendo las leyes medioambientales de su localidad. Para transportar materiales reciclables de la silla de ruedas de manera más cómoda, se recomienda que se desmonte primero.

## 6 Especificaciones técnicas

Los datos técnicos expuestos a continuación son sólo válidos para esta silla de ruedas, con configuración estándar y en condiciones ambientales óptimas. Tener en cuenta estos datos durante la utilización de la silla para ducha. Los valores aquí expuestos dejarán de ser aplicables si la silla de ruedas ha sido modificada, se ha dañado, o sufre de un desgaste intenso.

Tabla 1: Especificaciones Técnicas

<b>Fabricante</b>	<b>Vermeiren</b>
<b>Tipo</b>	<b>Silla de ruedas manual</b>
<b>Modelo</b>	<b>Bobby</b>

Descripción	Especificaciones	
Peso máximo del ocupante	115 kg	
Longitud total con reposapiés	950 mm	
Anchura útil del asiento	420 mm	480 mm
Anchura total (depende de la anchura del asiento)	575 mm	635 mm
Longitud plegada sin reposapiés	740 mm	
Anchura plegada	270 mm	
Altura plegada	750 mm	
Peso total	11,00 kg	11,55 kg
Peso de la parte más pesada	9,40 kg	9,95 kg
Peso de las partes que pueden desmontarse o quitarse	<b>Reposapiés: 1,60 kg</b>	
Estabilidad estática en pendientes descendentes	10°	
Estabilidad estática en pendientes ascendentes	10°	
Estabilidad estática lateral	10°	
Profundidad útil del asiento	420 mm	
Altura de la superficie del asiento en la parte delantera	500 mm	
Ángulo del asiento	5°	
Altura del respaldo	380 mm	
Ángulo del respaldo	5°	
Distancia entre el reposapiés y el asiento	370 – 500 mm	
Ángulo entre el asiento y el reposapiés	114°	
Distancia entre el reposabrazos y el asiento	220 mm	
Ubicación delantera del armazón del reposabrazo	315 mm	
Diámetro del aro de propulsión	No aplicable	
Ubicación horizontal del eje (deflexión)	21 mm	
Diámetro de giro mínimo	1500 mm	
Diámetro de ruedas traseras	12,5"	
Presión de los neumáticos, ruedas traseras (de tracción)	No aplicable	
Diámetro de ruedas dirección	150 mm	
Presión de los neumáticos, ruedas delanteras (de dirección)	No aplicable	
Temperatura de almacenamiento y de uso	+ 5 °C - + 41 °C	
Humedad de almacenamiento y de uso	30% - 70%	

**Nos reservamos el derecho a aplicar modificaciones técnicas.  
Tolerancia de la medida ± 15 mm/1,5 kg/ 1,5°.**



## Spis treści

<b>Spis treści</b> .....	<b>1</b>
<b>Wstęp</b> .....	<b>2</b>
<b>1 Państwa produkt</b> .....	<b>3</b>
<b>2 Opis produktu</b> .....	<b>4</b>
2.1 Przewidziane zastosowanie .....	4
2.2 Objaśnienie symboli .....	4
2.3 Ogólne instrukcje bezpieczeństwa .....	4
2.4 Transport .....	5
2.5 Składanie / rozkładanie wózka inwalidzkiego .....	5
2.6 Przechowywanie .....	5
<b>3 Sposób użycia</b> .....	<b>6</b>
3.1 Montaż i demontaż podnóżków .....	6
3.2 Składanie / Rozkładanie oparcie .....	6
3.3 Obsługa hamulców .....	7
3.4 Wsiadanie i zsiadanie z wózka inwalidzkiego .....	7
3.5 Jazda na wózku inwalidzkim .....	7
<b>4 Montaż i regulacja</b> .....	<b>9</b>
4.1 Narzędzia .....	9
4.2 Sposób dostawy .....	9
4.3 Regulacja podnóżków .....	9
4.4 Regulacja kąta płyty podnóżków .....	10
4.5 Regulacja hamulców .....	10
<b>5 Konserwacja</b> .....	<b>11</b>
5.1 Punkty konserwacji .....	11
5.2 Instrukcje konserwacji .....	11
5.3 Rozwiązywanie problemów .....	12
5.4 Spodziewana trwałość .....	12
5.5 Ponowne użycie .....	12
5.6 Zakończenie użytkowania .....	12
<b>6 Parametry techniczne</b> .....	<b>13</b>

## Wstęp

Gratulacje! Stali się Państwo posiadaczem wózka inwalidzkiego Vermeiren!

Ten wózek inwalidzki został wykonany przez wykwalifikowany i zaangażowany personel. Został on zaprojektowany i wyprodukowany według wysokiej jakości standardów stosowanych przez firmę Vermeiren.

Proszę starannie zapoznać się z niniejszą instrukcją; pomoże ona Państwu zapoznać się z eksploatacją, możliwościami i ograniczeniami swojego wózka. Jeżeli wciąż mają Państwo pytania po przeczytaniu niniejszej instrukcji, proszę niezwłocznie skontaktować się ze swoim specjalistycznym dystrybutorem. Chętnie on Państwu pomoże.

### Ważna informacja

Aby zagwarantować bezpieczeństwo i wydłużyć okres eksploatacji swojego produktu proszę o niego dbać oraz regularnie kontrolować i serwisować.

Niniejsza instrukcja odzwierciedla najnowszy stan rozwoju produktu. Firma Vermeiren jest uprawniona do wdrażania zmian tego typu produktu bez zobowiązań do dostosowywania lub wymiany podobnych produktów dostarczonych wcześniej.

Ilustracje służą objaśnieniu wskazówek w niniejszej instrukcji. Szczegóły odnośnie przedstawionego produktu mogą różnić się od Państwa produktu.

### Dostępne informacje

Na naszej stronie internetowej <http://www.vermeiren.com/> można zawsze znaleźć najnowszą wersję informacji. Proszę regularnie sprawdzać tę stronę internetową pod kątem ewentualnych aktualizacji.

Osoby niewidome lub niedowidzące mogą pobrać elektroniczną wersję niniejszej instrukcji i odsłuchać ją przez aplikację programową syntezatora mowy.



Instrukcja obsługi

Dla użytkownika i specjalistycznego dystrybutora



Instrukcja serwisowa dla wózków inwalidzkich

Dla specjalistycznego dystrybutora



Deklaracja zgodności WE



## 1 Państwa produkt



1. Krzyżak
2. Uchwyty
3. Oparcie
4. Podpórki
5. Podłokietniki
6. Koła napędowe (tylnie)
7. Hamulce
8. Zaślepka
9. Koła skrętne (przednie)
10. Podnóżki
11. Płyta podnóżka
12. Siedzisko
13. Płytkę określającą położenie

## 2 Opis produktu

### 2.1 Przewidziane zastosowanie

W niniejszej sekcji przedstawiono krótki opis przewidzianego zastosowania wózka inwalidzkiego. W pozostałych sekcjach instrukcje zostały opatrzone istotnymi ostrzeżeniami. W ten sposób chcemy zwrócić uwagę użytkowników na możliwość nieprawidłowej eksploatacji produktu.

- Wskazania i przeciwwskazania: Użytkownik ma wózek pchany przez osobę towarzyszącą. Wózek inwalidzki jest przeznaczony dla osób mających trudności z chodzeniem, do użytku nietrwałego oraz do celów transportowych. Wiele rodzajów mocowań i akcesoriów, a także modułowa konstrukcja, umożliwiają pełne użytkowanie wózka przez osoby starsze.
- Niniejszy wózek inwalidzki jest przeznaczony do użytku w pomieszczeniach i na zewnątrz.
- Wózek inwalidzki jest zaprojektowany do transportu jednej osoby ważącej maksymalnie 115 kg. Nie jest przeznaczony do transportu towarów, przedmiotów ani innego wykorzystania niż wcześniej opisane.
- Używać wyłącznie akcesoriów i części zapasowych zatwierdzonych przez Vermeiren.
- Należy się zapoznać ze wszystkimi danymi technicznymi i ograniczeniami wózka, które wskazano w rozdziale 6.
- Gwarancja na produkt jest udzielona przy założeniu normalnego użytkowania i konserwacji, opisanych w niniejszej instrukcji. Uszkodzenie produktu spowodowane nieprawidłową eksploatacją lub brakiem konserwacji spowoduje unieważnienie gwarancji.

### 2.2 Objaśnienie symboli



Maksymalna masa użytkownika w kg



Do użytku na zewnątrz/w pomieszczeniach



Maksymalne bezpieczne nachylenie terenu w ° (stopniach).



Oznaczenie typu

### 2.3 Ogólne instrukcje bezpieczeństwa

- Nie korzystać z wózka inwalidzkiego będąc pod wpływem alkoholu, leków lub innych substancji mogących wpływać na zgodności do jazdy.
- Należy pamiętać, że niektóre części wózka mogą się mocno rozgrzewać lub ochładzać pod wpływem temperatury zewnętrznej, promieniowania słonecznego lub urządzeń grzewczych. Zachować ostrożność podczas dotykania. Nosić odzież ochronną podczas chłodnej pogody. Będąc na zewnątrz można założyć rękawice do jazdy, poprawiając chwytność obręczy napędowej.
- Nie dokonywać żadnych modyfikacji wózka inwalidzkiego.
- By zapobiec urazom i/lub uszkodzeniom wózka należy upewnić się, że żadne przedmioty i/lub części ciała nie utknęły w szprychach kół jezdnych.

Korzystając z wózka inwalidzkiego musisz być świadomym, że w zależności od użytych ustawień może on kolidować z niektórymi systemami antykradzieżowymi. Może to spowodować uruchomienie alarmu w sklepie.

W przypadku wystąpienia poważnego incydentu z udziałem produktu, należy powiadomić firmę Vermeiren lub specjalistycznego sprzedawcę, jak również właściwe władze w swoim kraju.

## 2.4 Transport


### 2.4.1 Przesuwanie na bok

Najlepszym sposobem przenoszenia wózka inwalidzkiego jest prowadzenie go z wykorzystaniem jego kół.

Jeśli nie jest to możliwe (np. w przypadku demontażu tylnych kół w celach transportu wózka w samochodzie), należy mocno chwycić wózek za ramę z przodu oraz za uchwyty. Nie należy podnosić wózka, chwytając za podnózek, oparcia boczne lub koła.

PL


### 2.4.2 Transport w pojeździe jako bagaż

 UWAGA Ryzyko urazu

- NIE używać wózka inwalidzkiego D200 30° jako siedzenia w pojeździe, patrz kolejny symbol.
  - Upewnij się, że wózek inwalidzki jest prawidłowo umocowany. Pozwoli to zapobiec urazom pasażerów podczas kolizji lub gwałtownego hamowania.
  - NIGDY nie używaj jednego pasa bezpieczeństwa do zabezpieczenia pasażera i wózka inwalidzkiego.
1. Złożyć wózek inwalidzki do najbardziej kompaktowej wielkości zgodnie z instrukcją w § 2.5.
  2. Umieścić wózek inwalidzki i jego koła w przedziale bagażowym lub za siedzeniem pasażera. Jeżeli bagaż i przedział pasażera NIE są oddzielone lub zamknięte, przymocować bezpiecznie ramę wózka inwalidzkiego do pojazdu.



## 2.5 Składanie / rozkładanie wózka inwalidzkiego

 UWAGA Ryzyko przytraśnięcia – Trzymaj palce w bezpiecznej odległości od ruchomych części wózka inwalidzkiego.

*Rozkładanie wózka inwalidzkiego:*

1. Stań za wózkiem inwalidzkim.
2. Rozkładanie oparcia (patrz §3.2).
3. Trzymając za uchwyty, maksymalnie rozłóż wózek.
4. Stań przed wózkiem inwalidzkim.
5. Dociśnij obie rurki siedziska w dół, aż zostaną zablokowane na pozycjach.

*Składanie wózka inwalidzkiego:*

1. Złóż lub wymontuj płyty podnóżków (patrz § 3.1).
2. Składanie oparcia (patrz §3.2).
3. Chwyć siedzenie za przód i oparcie, a następnie pociągnij w górę.
4. Naciśnij uchwyty, aby kontynuować składanie.

## 2.6 Przechowywanie

**i** Wózek inwalidzki powinien być przechowywany w suchym środowisku, aby zapobiec tworzeniu się na nim pleśni i uszkodzeniu tapicerki, patrz też rozdział 6.

### 3 Sposób użycia

**UWAGA**

Ryzyko obrażeń i / lub uszkodzeń

- Zacząć od przeczytania poprzednich rozdziałów i zaznajomienia się z przewidzianym zastosowaniem. NIE używać wózka, dopóki wszystkie instrukcje nie zostaną przeczytane i zrozumiane.
- W razie wątpliwości i pytań prosimy o kontakt z lokalnym wyspecjalizowanym sprzedawcą, opiekunem lub doradcą technicznym, który udzieli pomocy.
- Upewnić się, że ręce, odzież, pasy, sprzączki lub biżuteria nie zablokują się w kołach lub innych ruchomych częściach podczas użytkowania lub regulacji.

#### 3.1 Montaż i demontaż podnóżków

**UWAGA**

Ryzyko zranienia

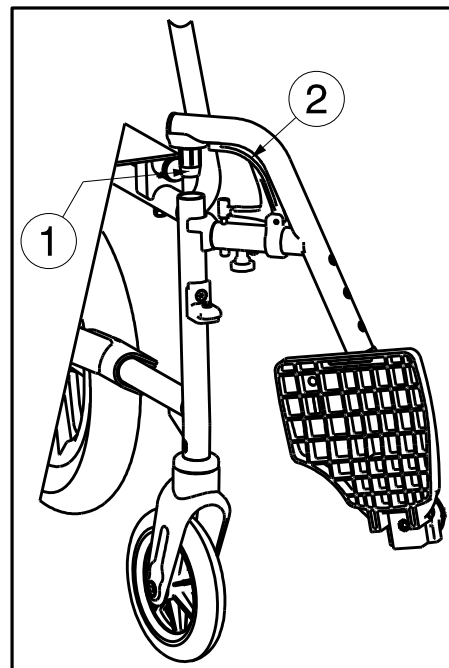
- Przed użyciem sprawdź prawidłowe zapięcie podnóżków.
- Trzymaj wszelkie przedmioty w bezpiecznej odległości od osi obrotu podnóżków podczas zapinania i odpinania.

Aby zamontować podnóżki:

1. Przytrzymaj podnóżek w poprzek po zewnętrznej stronie ramy wózka inwalidzkiego i zamontuj rurkę (1) w ramie.
2. Obróć podnóżek do wewnątrz, aż wskoczy na miejsce.
3. Obróć płytę podnóżka w dół.

Aby zdemontować podnóżki:

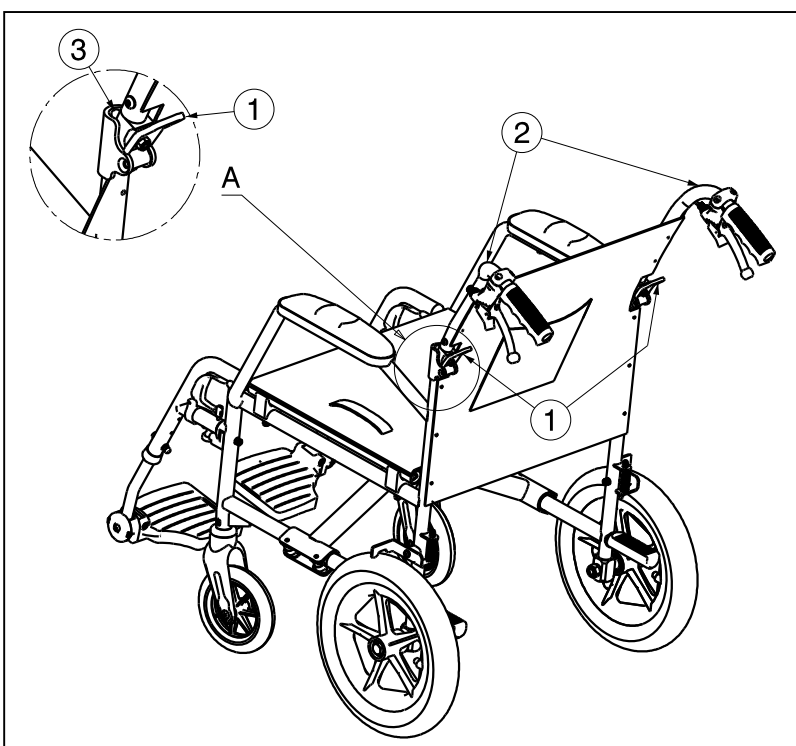
1. Pociągnij za uchwyt (2).
2. Obróć podnóżek na zewnątrz wózka inwalidzkiego, aż do jego zwolnienia z szyny.
3. Wyciągnij rurkę podnóżka z ramy (1).



#### 3.2 Składanie / Rozkładanie oparcie

**OSTRZEŻENIE**

Ryzyko urazu — należy upewnić się, że przed użyciem oparcie jest zablokowane.



Aby złożyć oparcie:

1. Pociągnij dzwignie ①, do momentu w którym sworzeń ③ wyjdzie z otworu.
2. Wyciągnij górne rurki oparcia ②, dolne oparcie jest w pełni składane.

Aby rozłożyć oparcie:

1. Pociągnij rury oparcia do góry ② do momentu w którym oparcie jest prawidłowo zabezpieczone.
2. Sprawdź, czy oparcie jest odpowiednio zamocowane.

### 3.3 Obsługa hamulców

 **UWAGA** Ryzyko zranienia

- Hamulce nie służą do spowalniania wózka inwalidzkiego w trakcie ruchu. Należy ich używać wyłącznie, aby nie dopuścić do niepożądanych ruchów wózka.
- Na prawidłową pracę hamulców wpływ ma zużycie oraz zanieczyszczenie ogumienia (woda, olej, błoto, ...). Należy sprawdzać stan ogumienia przed każdym użyciem.
- Hamulce są regulowane i mogą ulec zużyciu. Należy sprawdzać stan hamulców przed każdym użyciem.
- Przed zwolnieniem hamulców upewnij się, że wózek inwalidzki znajduje się na płaskiej, poziomej powierzchni. Nigdy nie zwalniasz obu hamulców jednocześnie.

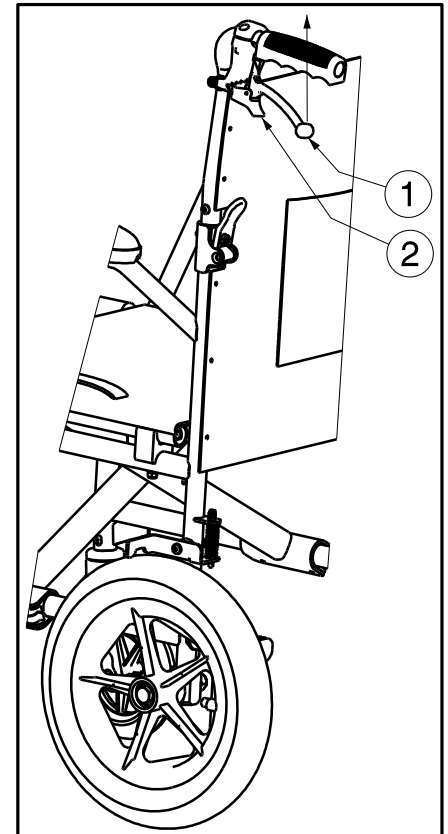
Z hamulców tych może korzystać opiekun.

*Aby zaciągnąć hamulec:*

1. Pociągnij dźwignię hamulca (1) do góry.
2. Pociągnij za dźwignię (2) aby zablokować hamulec.

*Aby zwolnić hamulce:*

1. Zwolnij dźwignię hamulca (2).
2. Zwolnij rączkę hamulca (1).

**PL**

### 3.4 Wsiadanie i zsiadanie z wózka inwalidzkiego

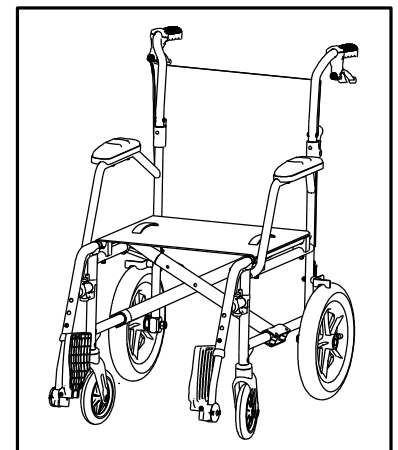
 **UWAGA** Ryzyko odniesienia obrażeń i/lub uszkodzenia

- Jeśli nie można samemu bezpiecznie wsiąść lub zsiąść z wózka inwalidzkiego, należy poprosić kogoś o pomoc.
  - Nie wolno stawać na płytach podnóżka.
1. Ustaw wózek jak najbliżej krzesła, kanapy lub łóżka na/z którego przenosi się użytkownik.
  2. Upewnij się, że oba hamulce wózka inwalidzkiego są zaciągnięte.
  3. Odchyl płyty podnóżka w górę, uniemożliwiając stanięcie na nich.
  4. Wsiądź na/zsiądź z wózka inwalidzkiego.

#### 3.4.1 Prawidłowa pozycja na wózku inwalidzkim

Zalecenia dotyczące wygodnego korzystania z wózka inwalidzkiego:

- Ułóż plecy tak blisko oparcia, jak to możliwe.
- Upewnij się, że uda ułożone są w poziomie. W razie potrzeby dostosuj długość podnóżków (patrz § 4.3).



### 3.5 Jazda na wózku inwalidzkim

 **UWAGA** Ryzyko obrażeń i uszkodzeń

- Przed każdym użyciem należy się upewnić, że:
  - hamulce postojowe działają prawidłowo,
  - opony są w dobrym stanie, patrz §5.
- Uważać, aby nie włożyć palców do szprych koła.
- NIE przejeżdżać po stromych nachyleniach, przeszkodach, stopniach lub krawężnikach większych, niż określono w §6.
- Zatrzymując się na (małym) nachyleniu należy użyć hamulców.

- Upewnić się, że wszystkie cztery koła dotykają podłoża podczas jazdy w górę i w dół po nachyleniu.
- Nachylenia pokonywać jak najwolniej.
- Jeżdżąc po drogach publicznych należy zawsze korzystać z chodnika.
- Zwracać uwagę, czy na drodze nie ma dziur ani szczelin, w których koła mogą zostać uwięzione.
- Unikać kamieni i innych obiektów, które mogą zablokować koła.
- Upewnić się, że płyty podnóżka nie dotykają podłoża podczas pokonywania przeszkody.
- Nie korzystać z wózka inwalidzkiego w windzie.
- Jeżeli to możliwe, zapinać pas bezpieczeństwa.
- Należy zawsze zwracać uwagę na zakres obrotu płyty podnóżka, aby nie spowodować obrażeń ciała osób w pobliżu czy uszkodzenia przedmiotów.
- Stopnie należy pokonywać zawsze przy pomocy dwóch pomocników.
- Nie próbować korzystać ze schodów, które nie są przystosowane do wózków inwalidzkich.

PL

## 4 Montaż i regulacja

Instrukcje zawarte w niniejszym rozdziale są przeznaczone dla wyspecjalizowanego sprzedawcy.

Model Vermeiren Bobby został zaprojektowany do krótkich podróży i łatwego przenoszenia.

Informacje na temat najbliższych punktów usługowych lub przedstawicieli otrzymać można w najbliższym biurze Vermeiren.

**PL**

 **UWAGA** Ryzyko obrażeń i uszkodzeń

- Należy używać wyłącznie zakresów opisanych w niniejszej instrukcji.
- Modyfikacja w ramach dopuszczalnego stopnia regulacji może prowadzić do zmiany stabilności wózka inwalidzkiego (może powodować przechylenie w tył lub na bok).

### 4.1 Narzędzia

Do regulacji ustawień wózka inwalidzkiego wymagane są następujące narzędzia.


- Zestaw kluczy nr 10
- Zestaw kluczy imbusowych nr 4
- Wkrętak krzyżakowy

### 4.2 Sposób dostawy

Dostarczany wózek Vermeiren Bobby będzie zawierał:

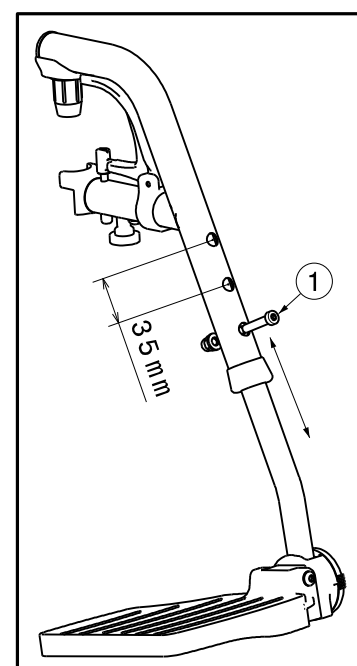
- 1 ramę z podłokietnikami, tylnymi i przednimi kołami;
- 1 parę podnóżków;
- klucz imbusowy;
- instrukcję obsługi;
- akcesoria. (opcjonalne)

### 4.3 Regulacja podnóżków

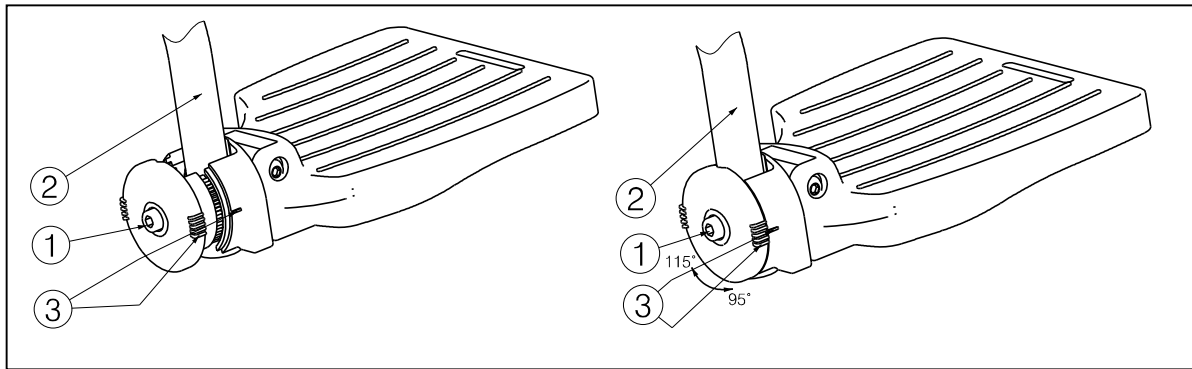
 **UWAGA** Ryzyko uszkodzenia – należy unikać kontaktu podnóżków z podłożem. Zachowaj minimalny odstęp 60 mm od podłoża.

Ustaw długość podnóżków zgodnie z poniższą instrukcją (3 otwory na rurze wewnętrznej, 3 otwory na rurze zewnętrznej; zasięg 120 mm):

1. Odkręć nakrętkę (1).
2. Ustaw podnóżki na wygodną długość.
3. Odpowiednio dokręć śrubę (1).



## 4.4 Regulacja kąta płyty podnóżków



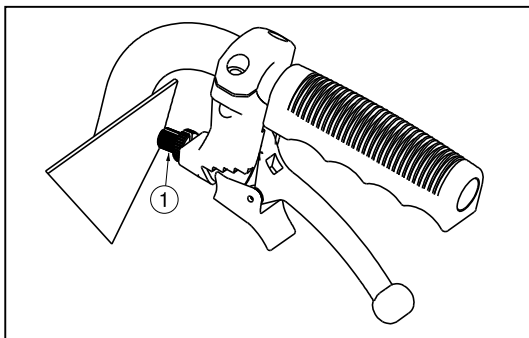
Aby wyregulować kąt nachylenia płyty podnóżków:

1. Poluzuj śrubę ①.
2. Ustaw rurkę ② pod żądanym kątem. Kąt nachylenia (95°-100°-105°-110°-115°) jest wskazywany przez listki ③.
3. Dokręć śrubę ①.

## 4.5 Regulacja hamulców



Ryzyko urazu – regulacji hamulców może dokonywać wyłącznie wyspecjalizowany sprzedawca.



1. Obkręć element ① aby wyregulować napięcie hamulców.
2. Sprawdź pracę hamulców.
3. W razie potrzeby obkręć element regulacji napięcia ponownie ① do momentu w którym hamulce będą działać poprawnie.



## 5 Konserwacja

### 5.1 Punkty konserwacji



UWAGA

Ryzyko obrażeń i uszkodzeń

Naprawy i wymiana części mogą być przeprowadzane tylko przez przeszkolone osoby i wolno korzystać z oryginalnych części zamiennych Vermeiren.

- i** Na ostatniej stronie instrukcji znajduje się formularz dla wyspecjalizowanego sprzedawcy, służący do odnotowywania wszystkich czynności serwisowych. Częstotliwość serwisowania zależy od częstotliwości i intensywności użytkowania. Skontaktować się z dystrybutorem celem uzgodnienia harmonogramu inspekcji / konserwacji / naprawy. Instrukcje dotyczące konserwacji znajdziesz na stronie internetowej firmy Vermeiren: [www.vermeiren.pl](http://www.vermeiren.pl).

#### *Przed każdym użyciem*

Przejrzeć następujące punkty:

- Wszystkie części: Obecne, nie uszkodzone i nie zużyte.
- Wszystkie części: Wyczyścić, patrz § 5.2.2.
- Koła, oparcie, siedzisko, podparcie łydki, podłokietnik, płyta podnóżka: Dobrze zabezpieczone.
- Stan kół/opon, patrz § 5.2.1;
- Stan części ramy: Brak deformacji, niestabilność, słabe lub luźne połączenia
- Siedzenie, oparcie, podpórki ramion, podpórki łydek i oparcia (jeżeli dotyczy): Brak nadmiernego zużycia (punkty wgniecia, uszkodzenia lub rozerwania).
- Hamulce: Nieuszkodzone i sprawne

Skontaktować się ze specjalistycznym dystrybutorem pod kątem ewentualnych napraw lub wymiany.

#### *Raz w roku lub częściej*

Co najmniej raz w roku lub częściej zlecać kontrolę i serwisowanie wózka inwalidzkiego wykwalifikowanemu dystrybutorowi. Minimalna częstotliwość konserwacji jest uzależniona od użytkowania i należy ją uzgodnić z wykwalifikowanym dystrybutorem.

### 5.2 Instrukcje konserwacji

#### 5.2.1 Koła i opony

- i** Odpowiednie działanie hamulców jest uzależnione od stanu opon i może się zmieniać ze względu na zużycie i zanieczyszczenie (woda, olej, błoto, ...)

Usuwać z kół druty, włosy, piasek i włókna.

Sprawdzić profil opon. Jeżeli głębokość bieżnika jest mniejsza, niż 1 mm, opony należy wymienić. W tej sprawie należy skontaktować się ze specjalistycznym dystrybutorem.

#### 5.2.2 Czyszczenie



UWAGA

Ryzyko uszkodzenia przez wilgoć.

- Do czyszczenia wózka inwalidzkiego nie wolno nigdy stosować węża ani myjki ciśnieniowej.

Wytrzeć wszystkie sztywne części wózka wilgotną szmatką (nie wykreconą). W razie konieczności użyć łagodnego mydła, odpowiedniego do lakierów i materiałów syntetycznych. Tapicerkę można czyścić letnią wodą i łagodnym mydłem. Do czyszczenia nie używać szorstkich środków czyszczących.

### 5.2.3 Dezynfekcja

**UWAGA**

Ryzyko uszkodzenia

- Dezynfekcja może być przeprowadzana tylko przez przeszkolone osoby. Skonsultować się ze specjalistycznym dystrybutorem.

**PL**

## 5.3 Rozwiązywanie problemów

Nawet w przypadku prawidłowego korzystania z wózka może wystąpić problem techniczny. W takim przypadku należy skontaktować się z lokalnym specjalistycznym dystrybutorem.

**OSTRZEŻENIE**

Ryzyko obrażeń i uszkodzenia wózka inwalidzkiego

- NIGDY nie próbować naprawiać wózka samodzielnie.

Poniższe symptomy mogą oznaczać poważny problem. Dlatego też w przypadku zauważenia poniższych niezgodności należy zawsze skontaktować się ze specjalistycznym dystrybutorem.

- Dziwne dźwięki;
- Nierównomierne zużycie bieżnika opon;
- Szarpane ruchy;
- Wózek inwalidzki ściąga na jedną stronę;
- Uszkodzone lub pęknięte zespoły koła.

## 5.4 Spodziewana trwałość

Przeciętna trwałość wózka inwalidzkiego wynosi 5 lat. W zależności od częstotliwości użytkowania, warunków jazdy i konserwacji, trwałość wózka może się wydłużyć lub skrócić.

## 5.5 Ponowne użycie

Przed każdym ponownym użyciem wózek należy zdezynfekować, skontrolować i poddać konserwacji zgodnie z instrukcjami w §5.1 i §5.2.

## 5.6 Zakończenie użytkowania

Po zakończeniu okresu użytkowania należy poddać wózek utylizacji, zgodnie z lokalnymi przepisami ochrony środowiska. Najlepszym sposobem jest demontaż wózka inwalidzkiego, aby ułatwić transport części poddawanych utylizacji.

## 6 Parametry techniczne

Poniższe szczegóły techniczne dotyczą tylko wózka inwalidzkiego przy standardowych ustawieniach i optymalnych warunkach otoczenia. Podczas użytkowania należy wziąć pod uwagę te szczegóły. Wartości nie mają już zastosowania, gdy wózek inwalidzki został zmodyfikowany, uszkodzony lub jest poważnie zużyty.

Tabela 1: Dane techniczne

<b>Producent</b>	<b>Vermeiren</b>
<b>Typ</b>	<b>Ręczny wózek inwalidzki</b>
<b>Model</b>	<b>Bobby</b>

Opis	Wymiary	
Maksymalna waga użytkownika	115 kg	
Długość całkowita z podnóżkiem	950 mm	
Szerokość użytkowa siedziska	420 mm	480 mm
Szerokość całkowita (zależy od szerokości siedziska)	575 mm	635 mm
Długość po złożeniu	740 mm	
Szerokość po złożeniu	270 mm	
Wysokość po złożeniu	750 mm	
Waga całkowita	11,00 kg	11,55 kg
Waga najcięższej części	9,40 kg	9,95 kg
Waga części, które mogą być demontowane lub usunięte	<b>Podnóżki: 1,60 kg</b>	
Stabilność statyczna z górki	10°	
Stabilność statyczna pod górkę	10°	
Stabilność statyczna w poprzek	10°	
Głębokość użytkowa siedziska	420 mm	
Wysokość przedniej krawędzi siedziska	500 mm	
Pochylenie siedziska	5°	
Wysokość oparcia	380 mm	
Kąt nachylenia oparcia	5°	
Odległość siedziska od podnóżka	370 – 500 mm	
Kąt pomiędzy siedziskiem a podnóżkiem	114°	
Odległość siedziska od podłokietnika	220 mm	
Przednia pozycja podłokietnika	315 mm	
Średnica obręczy	Nie dotyczy	
Pozycja osi w poziomie (odchył)	21 mm	
Minimalny promień skrętu	1500 mm	
Średnica kół tylnych	12,5"	
Ciśnienie w oponach, koła tylne (napędowe)	Nie dotyczy	
Średnica kół skrętnych	150 mm	
Ciśnienie w oponach, koła skrętne	Nie dotyczy	
Temperatura przechowywania i użytkowania	+ 5 °C - + 41 °C	
Wilgotność powietrza do przechowywania i użytkowania	30% - 70%	
<b>Producent zastrzega sobie prawo do wprowadzania zmian parametrów technicznych. Tolerancja pomiarów ± 15 mm / 1,5 kg / 1,5°</b>		



## Obsah

<b>Obsah</b>	<b>1</b>
<b>Úvod</b>	<b>2</b>
<b>1 Tento výrobek</b>	<b>3</b>
<b>2 Před použitím</b>	<b>4</b>
2.1 Určené použití	4
2.2 Vysvětlivky symbolů	4
2.3 Obecné bezpečnostní pokyny	4
2.4 Přeprava	5
2.5 Složení/rozložení invalidního vozíku	5
2.6 Skladování	5
<b>3 Použití invalidního vozíku</b>	<b>6</b>
3.1 Montáž a demontáž nožních opěrek	6
3.2 Sklopení / zvednutí zádové opěrky	6
3.3 Obsluha brzd	7
3.4 Přesun do invalidního vozíku a z něj	7
3.5 Jízda v invalidním vozíku	7
<b>4 Instalace a seřízení</b>	<b>9</b>
4.1 Nástroje	9
4.2 Způsob dodání	9
4.3 Seřízení nožních opěrek	9
4.5 Seřízení úhlových stupaček	10
4.6 Seřízení brzd	10
<b>5 Údržba</b>	<b>11</b>
5.1 Body údržby	11
5.2 Pokyny k údržbě	11
5.3 Řešení problémů	12
5.4 Očekávaná životnost	12
5.5 Znovupoužití výrobku	12
5.6 Konec používání	12
<b>6 Technické údaje</b>	<b>13</b>

## Úvod

Blahopřejeme! Nyní jste vlastníkem invalidního vozíku Vermeiren!

Tento invalidní vozík byl vyroben pečlivými pracovníky s kvalifikací. Navíc byl navržen a vyroben podle vysokých standardů kvality, nad nimiž dohlíží společnost Vermeiren.

Řádně si tento návod přečtěte; pomůže vám seznámit se s provozem, schopnostmi a omezeními tohoto invalidního vozíku. Máte-li po přečtení tohoto návodu nějaké dotazy, obraťte se bez obav na svého odborného prodejce. Rád vám pomůže.

### Důležitá poznámka

Aby byla zajištěna vaše bezpečnost a prodloužena životnost tohoto výrobku, věnujte mu řádnou péči a nechávejte jej pravidelně kontrolovat a opravovat.

V tomto návodu se odráží nejnovější vývoj výrobku. Společnost Vermeiren má právo provádět změny tohoto typu výrobku, aniž by měla povinnost upravit či nahradit podobné výrobky, které již byly dodány.

Obrázky slouží k objasnění pokynů v tomto návodu. Detaily výrobku na obrázcích se mohou od daného výrobku lišit.

### Dostupné informace

Nejnovější verzi informací tohoto návodu vždy naleznete na našich webových stránkách <http://www.vermeiren.com/>. Tyto webové stránky pravidelně navštěvujte pro případné aktualizace.

Osoby se zrakovým postižením si mohou stáhnout elektronickou verzi tohoto návodu, kterou jim může přečíst softwarová aplikace text-to-speech.



Návod k obsluze

Pro uživatele a odborného prodejce



Servisní příručka pro invalidní vozíky

Pro odborného prodejce



Prohlášení o shodě (ES)

## 1 Tento výrobek



1. Kříž
2. Rukojeti
3. Opěradlo
4. Čalounění
5. Loketní opěrky
6. Hnací kola (zadní kola)
7. Brzdy
8. Koncové víčko
9. Řídící kola (přední kola)
10. Nožní opěrky
11. Stupátko
12. Sedadlo
13. Umístění identifikačního štítku

## 2 Před použitím

### 2.1 Určené použití

V tomto odstavci je uveden stručný popis zamýšleného použití tohoto invalidního vozíku. Dále jsou k pokynům v dalších odstavcích přidána příslušná upozornění. Tímto způsobem chceme upozornit na případné chybné použití, k němuž může dojít.

- Indikace a kontraindikace: Uživatel má vozík tlačný obsluhou. Invalidní vozík je navržen a vyroben jako transportní pomůcka pro osoby s obtížemi chůze, k nepermanentnímu používání a k přepravním účelům. Různé typy montáže a příslušenství a modulární konstrukce umožňují plné využití také pro zestárlé osoby.
- Invalidní vozík je určen pro osoby s potížemi při chůzi nebo s nemožností chůze.
- Invalidní vozík je konstruován pro přepravu 1 osoby o max. hmotnosti 115 kg. Není určen pro přepravu zboží či předmětů ani pro jakýkoli jiný účel, než je popsán výše.
- Používejte pouze příslušenství a náhradní díly schválené společností Vermeiren.
- Přečtěte si všechny technické detaily a omezení tohoto invalidního vozíku v kapitole 6.
- Záruka tohoto výrobku je založena na běžném použití a údržbě, jak je to popsáno v tomto návodu. V případě poškození výrobku způsobeného nesprávným použitím či absencí údržby tato záruka zanikne

### 2.2 Vysvětlivky symbolů



Max. hmotnost uživatele v kg



Domácí/venkovní použití



Max. bezpečný sklon ve ° (stupních).



Typové označení

### 2.3 Obecné bezpečnostní pokyny

- Tento invalidní vozík nepoužívejte, jste-li pod vlivem alkoholu, léků či jiných látek, které by mohly ovlivnit vaše schopnosti jízdy v něm.
- Mějte na paměti, že určité části invalidního vozíku mohou být velmi teplé nebo studené vlivem okolní teploty, slunečního záření či topných těles. Při dotýkání buďte opatrní. Při chladném počasí používejte ochranný oděv. Při jízdě venku je možné používat speciální rukavice, které zlepšují úchop ručních ráfků.
- Tento invalidní vozík žádným způsobem neupravujte.
- Pro prevenci zranění anebo poškození invalidního vozíku zajistěte, aby nedošlo k zachycení jakýchkoli předmětů anebo částí těla mezi paprsky hnacích kol.

Berte na vědomí, že vaše invalidní vozík může v závislosti na použitém nastavení ovlivňovat některé typy systémů proti krádeži. To může zapříčinit spuštění alarmu v obchodu.

V případě, že došlo k závažnému incidentu s vaším výrobkem, informujte společnost Vermeiren nebo svého specializovaného prodejce a příslušný úřad ve vaší zemi.




## 2.4 Přeprava

### 2.4.1 Přenášení invalidního vozíku

Nejlepší způsob pro přenášení invalidního vozíku je využít jeho odbrzděných kol k pohybu.

Není-li to možné (např. když jsou vyjmuta zadní kola kvůli přepravě ve vozidle), pevně uchopte rukojeti a rám přední části vozíku. K uchopení invalidního vozíku nepoužívejte nožní či loketní opěrky ani kola.

### 2.4.2 Přeprava vozidlem jako zavazadlo


 **VAROVÁNÍ** Riziko zranění

- Invalidní vozík NIKDY nepoužívejte jako sedadlo ve vozidle, viz následující symbol.
- Zajistěte řádné upevnění invalidního vozíku, aby nemohlo dojít ke zranění cestujících při nehodě či náhlém brzdění.
- NIKDY nepoužívejte ten samý bezpečnostní pás k upevnění invalidního vozíku i cestujícího.



1. Složte invalidní vozík do nejkompaktnější velikosti podle pokynů v odst. 2.5.
2. Uložte invalidní vozík a jeho kola do zavazadlového prostoru nebo za sedadlo spolujezdce. Pokud NENÍ zavazadlový prostor zcela uzavřen či oddělen od cestujících, řádně připoutejte rám invalidního vozíku k vozidlu

## 2.5 Složení/rozložení invalidního vozíku

 **POZOR** Nebezpečí skřípnutí – Nedávejte prsty mezi součásti tohoto invalidního vozíku.

*Složení:*

1. Sklopte či odeberte nožní desky (viz odst. 3.1).
2. Sklopení opěradla (viz §3.2).
3. Uchopte sedadlo za přední i zadní stranu a vytáhněte jej nahoru.
4. Zatlačte na rukojeti, abyste invalidní vozík složili více.

*Rozložení:*

1. Postavte se za invalidní vozík.
2. Rozložte opěradlo (viz §3.2).
3. Pomocí rukojetí invalidní vozík co nejvíce rozevřete.
4. Postavte se před invalidní vozík.
5. Zatlačte dolů obě sedadlové trubky, dokud se nezaaretují na místě.

## 2.6 Skladování

- i** Dbejte na to, aby byl invalidní vozík uložen v suchém prostředí, aby na něm nemohly růst plísně a nepoškodilo se čalounění, viz též kapitola 6.

## 3 Použití invalidního vozíku

### ⚠ UPOZORNĚNÍ

Riziko zranění anebo poškození

- Nejprve si přečtěte předchozí kapitoly a seznamte se se zamýšleným použitím. Invalidní vozík NIKDY nepoužívejte, dokud si nepřečtete a plně neporozumíte všem pokynům.
- V případě pochybností či dotazů bez obav požádejte svého místního odborného prodejce, poskytovatele péče nebo technického poradce, aby vám pomohl.
- Zajistěte, aby během použití nebo nastavení nedošlo k zachycení rukou, oděvů, pásků, přezek či šperků v kolech nebo jiných pohyblivých součástech.

### 3.1 Montáž a demontáž nožních opěrek

#### ⚠ POZOR

Riziko zranění

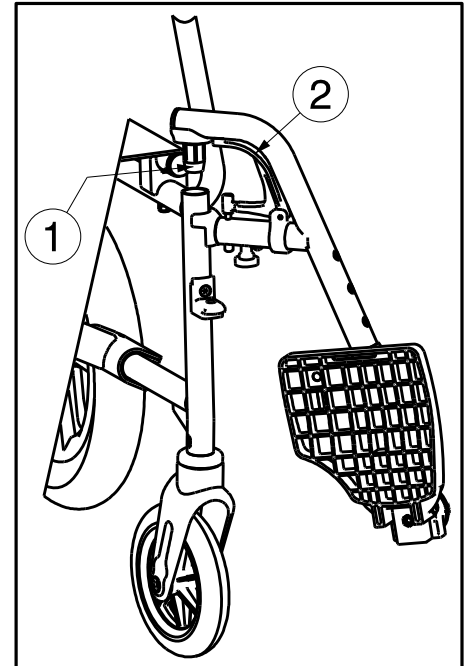
- Před použitím ověřte, že jsou nožní opěrky bezpečně zajištěny.
- Při montáži či demontáži nožních opěrek udržujte předměty mimo dosah jejich otáčení.

Postup montáže nožních opěrek je následující:

1. Podržte nožní opěrku bočně z vnější strany rámu invalidního vozíku a zavěste držák trubky (1) do rámu.
2. Otočte nožní opěrku dovnitř, dokud se nezaaretuje na místě.
3. Sklopte nožní desku dolů.

Postup demontáže nožních opěrek:

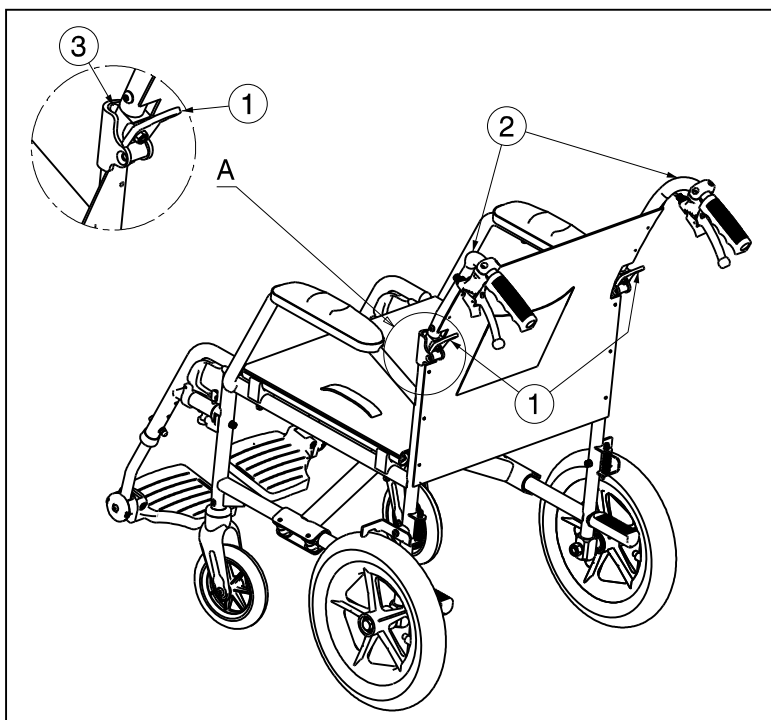
1. Vytáhněte páku (2).
2. Vyklopte nožní opěrku na vnější stranu invalidního vozíku, až se uvolní z vodítka.
3. Vytáhněte nožní opěrku z držáku trubky (1).



### 3.2 Sklopení / zvednutí zádové opěrky

#### ⚠ VAROVÁNÍ

Nebezpečí poranění - Před použitím vozíku se ujistěte, že je zádová opěrka dobře zajištěná.



Sklopení zádové opěrky:

1. Zatáhněte za páčky ① nahoru, dokud se blokovací kolík ③ neuvolní z otvoru.
2. Tlačte horní trubku zadního rámu ② dolů, dokud není opěrka zcela sklopená.

Zvednutí zádové opěrky:

1. Tlačte horní trubku zadního rámu ② nahoru, dokud není opěrka zcela zajištěna.
2. Ujistěte se, že je zádová opěrka dobře zajištěna.

### 3.3 Obsluha brzd

 **VAROVÁNÍ** Riziko zranění

- Brzdy nejsou určeny ke zpomalení invalidního vozíku během jízdy. Slouží pouze k tomu, aby nedošlo k nechtěným pohybům.
- Správnou funkci brzd ovlivňuje opotřebení a znečištění pneumatik (voda, olej, bláto atd.). Před každým použitím zkontrolujte stav pneumatik.
- Brzdy jsou seřiditelné a mohou se opotřebovat. Před každým použitím zkontrolujte stav brzd.
- Před uvolněním brzdy ověřte, že je invalidní vozík na rovném vodorovném povrchu. Nikdy neuvolňujte obě brzdy současně.

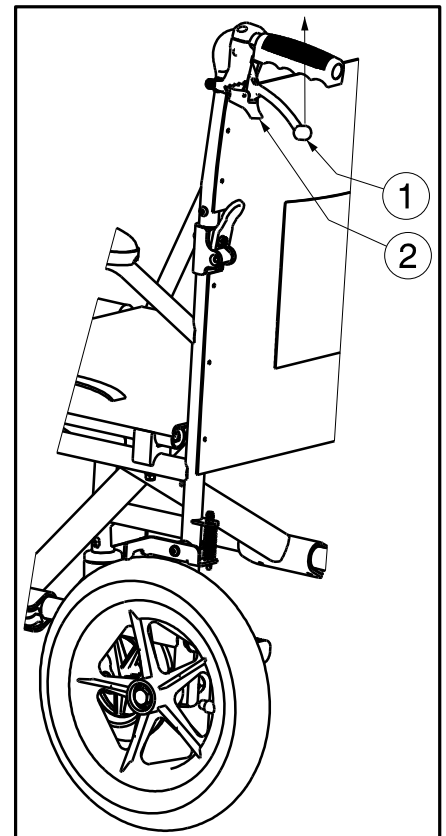
Brzdy může aktivovat pouze obsluha.

*Aktivace brzd:*

1. Zatáhněte za brzdové páky (1) směrem nahoru.
2. Zatlačením na část (2) zablokujte brzdy.

*Deaktivace brzd:*

1. Nejprve uvolněte díl (2).
2. Uvolněte brzdové páky (1).

**CS**

### 3.4 Přesun do invalidního vozíku a z něj

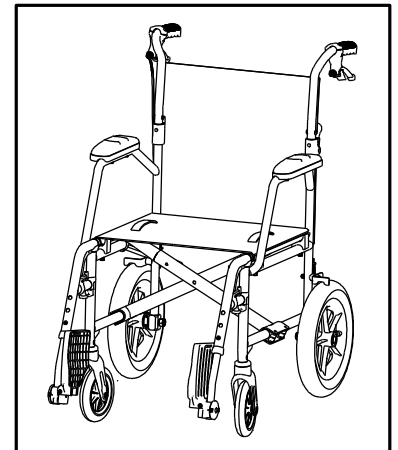
 **VAROVÁNÍ** Riziko zranění anebo poškození

- Nemůžete-li přesun provést bezpečně, požádejte někoho o asistenci.
  - Nestůjte na nožních deskách.
1. Umístěte invalidní vozík co nejbližší k židli, pohovce či posteli, kde se chcete přesunout na vozík nebo z něj.
  2. Ověřte, že jsou obě brzdy invalidního vozíku v poloze jejich aktivace.
  3. Sklopte nožní desky nahoru, aby se na nich nedalo stát.
  4. Proveďte přesun na invalidní vozík nebo z něj.

#### 3.4.1 Správná poloha v invalidním vozíku

Doporučení pro komfortní použití invalidního vozíku:

- Zajistěte polohu zad co nejbližší k opěradlu.
- Ověřte, že máte stehna v horizontální poloze. V případě potřeby upravte délku nožních opěrek (viz odst. 4.3).



### 3.5 Jízda v invalidním vozíku

 **UPOZORNĚNÍ** Riziko zranění a poškození

- Před každým použitím ověřte, že:
  - parkovací brzdy správně fungují;
  - pneumatiky jsou v dobrém stavu, viz odst. 5.
- Nedopusťte, aby se do drátů výpletu kola zachytily vaše prsty.
- **NEJEZDĚTE** na svazích, přes překážky, schody nebo obrubníky větší, než je předepsáno v odst. 6.
- Když zastavíte na (mírném) svahu, použijte brzdy.
- Během jízdy dolů ze svahu dbejte na to, aby se všechna čtyři kola dotýkala země.

- Na svazích jezděte co nejpomaleji.
- Při jízdě po veřejných komunikacích zůstávejte vždy na chodníku.
- Dávejte pozor, zda na silnici nejsou díry nebo spáry, které by mohly způsobit skřípnutí kol.
- Vyhýbejte se kamenům a jiným předmětům, které mohou zablokovat kola.
- Při přejíždění překážky dávejte pozor, aby se stupátka nedotkla země.
- Tento invalidní vozík nepoužívejte na eskalátoru.
- Je-li k dispozici bezpečnostní pás, připevněte se.
- Abyste nezranili osoby stojící okolo nebo nepoškodili předměty, myslete vždy na rozsah pohybu stupátka.
- Schody musejí být vždy zvládnuty za asistence dvou osob doprovodu.
- Nikdy nezkoušejte používat schody, které nejsou vhodné pro invalidní vozíky.

## 4 Instalace a seřízení

**Pokyny v této kapitole jsou určeny pro odborné prodejce.**

Výrobek Vermeiren Bobby byl navržen pro krátké cesty a snadný přesun.

Chcete-li najít servisní středisko či odborného prodejce ve svém okolí, kontaktujte nejbližší pobočku společnosti Vermeiren.

 **VAROVÁNÍ** Riziko zranění a poškození

- Používejte pouze nastavení uvedená v tomto návodu.
- Variace povolených nastavení může změnit stabilitu invalidního vozíku (naklonění dozadu či do stran).

**CS**

### 4.1 Nástroje

Pro sestavení invalidního vozíku jsou potřeba tyto nástroje:


- Sada maticových klíčů ve velikostech 10
- Sada inbusových klíčů ve velikostech 4
- Křížový šroubovák

### 4.2 Způsob dodání

Balení výrobku Vermeiren Bobby obsahuje:

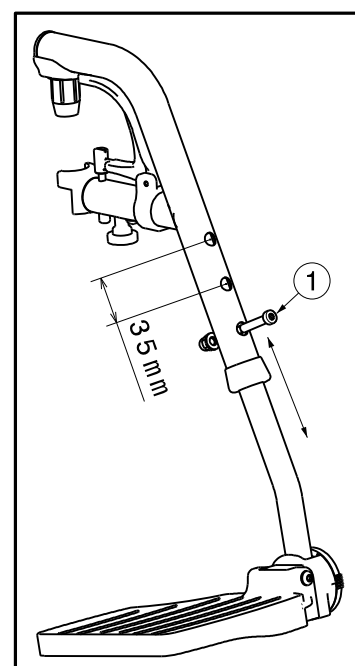
- 1 rám s loketními opěrkami, zadní a přední kola
- 1 pár nožních opěrek
- Nástroje
- Návod
- Příslušenství (volitelné).

### 4.3 Seřízení nožních opěrek

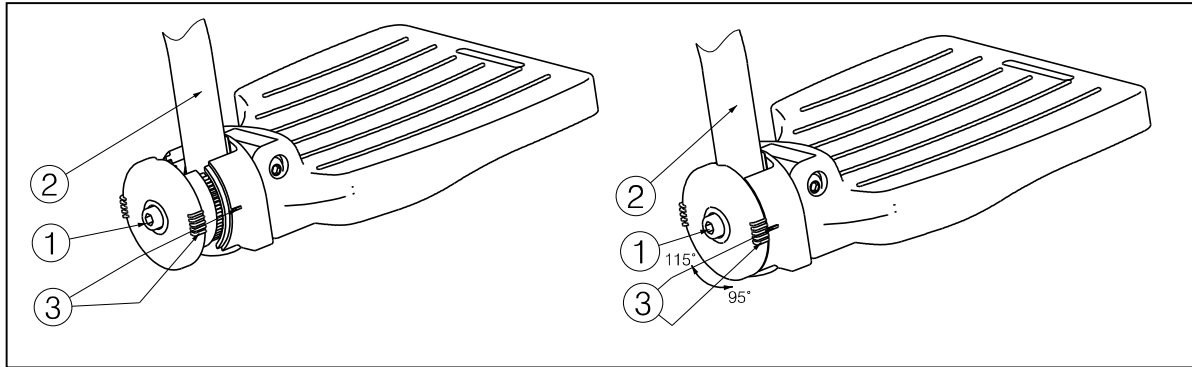
 **POZOR** Nebezpečí poškození – zajistěte, aby se nožní opěrky nedotýkaly země. Udržujte minimální vzdálenost 60 mm nad zemí.

Postup nastavení úhlu nožních opěrek (3 otvory na vnitřní trubce, 3 otvory na vnější trubce ; rozsah 120 mm):

1. Odšroubujte šroub (1).
2. Nastavte požadovanou délku nožní opěrky.
3. Šroub (1) řádně utáhněte.



## 4.5 Seřízení úhlových stupaček



Úhel nášlapných desek nastavte následujícím způsobem:

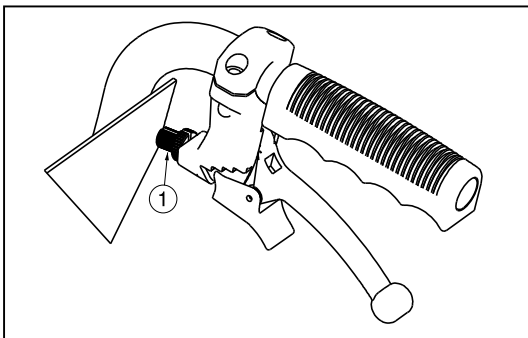
1. Uvolněte šroub .
2. Nastavte trubku do požadovaného úhlu. Indikace úhlu (95°-100°-105°-110°-115°) je podle pomlček .
3. Znovu utáhněte šroub .

## 4.6 Seřízení brzd



**VAROVÁNÍ**

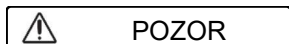
Nebezpečí zranění – seřízení brzd smí provádět pouze odborný prodejce.



1. Zapněte díl (1) a nastavte napětí brzd.
2. Zkontrolujte funkčnost brzd.
3. V případě potřeby opakujte otáčení dílu (1), dokud nebudou brzdy dobře seřízeny.

## 5 Údržba

### 5.1 Body údržby



POZOR

Riziko zranění a poškození

Opravy a výměny směřují provádět pouze vyškolené osoby. Přitom je třeba používat pouze originální náhradní díly společnosti Vermeiren.

**i** Poslední stránka tohoto návodu obsahuje registrační formulář pro odborného prodejce, který zapíše každý servis.

Servisní intervaly závisejí na intenzitě a frekvenci používání. Požádejte svého prodejce o společnou dohodu na rozvrhu kontrol/údržby/oprav.

Viz webových stránkách společnosti Vermeiren: [www.vermeiren.com](http://www.vermeiren.com).

CS

#### *Před každým použitím*

Zkontrolujte následující body:

- Všechny části: Přítomné a nepoškozené či neopotřebené.
- Všechny části: Čisté, viz odst. 5.2.2.
- Kola, opěradlo, sedadlo, lýtčkové opěrky, loketní opěrky, nožní deska: Dobré zajištění.
- Stav kol/pneumatik, viz odst. 5.2.1;
- Stav součástí rámu: Žádná deformace, nestabilita, zeslabení nebo uvolněné spoje
- Sedadlo, opěradlo, loketní čalounění, lýtčkové čalounění a opěrka hlavy (v případě použití): Bez nadměrného opotřebenění (např. promáčknutá místa, poškození nebo roztržení).
- Brzdy: Nepoškozené a plně funkční

Pro případné opravy či výměny částí se obraťte na svého odborného prodejce.

#### *Ročně nebo častěji*

Tento invalidní vozík nechte u odborného prodejce ke kontrole a provedení servisu alespoň jednou ročně nebo častěji. Minimální četnost údržby závisí na používání, a proto by měla být společně dohodnuta s vaším odborným prodejcem.

### 5.2 Pokyny k údržbě

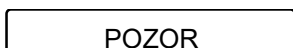
#### 5.2.1 Kola a pneumatiky

**i** Správná funkce brzd závisí na stavu pneumatik, který se může měnit kvůli opotřebenění či znečištění (voda, olej, bláto atd.).

Udržujte kola bez drátů, vlasů, písku a vláken.

Zkontrolujte vzorek na pneumatikách. Je-li hloubka dezénu menší než 1 mm, musí být pneumatiky vyměněny. Obratě se v této věci na svého odborného prodejce.

#### 5.2.2 Čištění



POZOR

Riziko poškození vlhkostí

- K čištění invalidního vozíku nikdy nepoužívejte hadici ani vysokotlaký čistič.

Otržete všechny pevné části invalidního vozíku vlhkým (nikoli mokrým) hadříkem. V případě potřeby použijte jemné mýdlo vhodné na laky a syntetické barvy.

Čalounění lze vyčistit vlažnou vodou a jemným mýdlem. K čištění nepoužívejte abrazivní čisticí prostředky.

### 5.2.3 Dezinfekce

POZOR

Riziko poškození

- Dezinfekci mohou provádět pouze kvalifikované osoby. Poradte se se svým prodejcem.

### 5.3 Řešení problémů

I když tento invalidní vozík používáte správně, může se vyskytnout technický problém. V tomto případě se obraťte na místního odborného prodejce.



VAROVÁNÍ

Riziko zranění a poškození invalidního vozíku

- NIKDY nezkoušejte opravit invalidní vozík sami.

Následující příznaky mohou znamenat vážný problém. Proto se vždy obraťte na svého odborného prodejce, když zaznamenáte některou z následujících odchylek:

- divný zvuk;
- nerovnoměrné opotřebení dezénu na jedné z pneumatik;
- trhavé pohyby;
- invalidní vozík se naklání na jednu stranu;
- poškozené či rozbité sestavy kol.

### 5.4 Očekávaná životnost

Průměrná životnost tohoto invalidního vozíku je 5 let. V závislosti na četnosti použití, jízdních podmínkách a údržbě se životnost tohoto invalidního vozíku prodlouží nebo zkrátí.

### 5.5 Znovupoužití výrobku

Před každým dalším použitím nechte invalidní vozík dezinfikovat, zkontrolovat a provést servis podle pokynů v odst. 5.1 a odst. 5.2.

### 5.6 Konec používání

Po skončení životnosti musí být invalidní vozík zlikvidován podle místní legislativy pro životní prostředí. Nejlepším způsobem likvidace je rozebrání invalidního vozíku pro usnadnění přepravy recyklovatelných součástí.



## 6 Technické údaje

Technické údaje uvedené níže platí pouze pro tento invalidní vozík při standardních nastaveních a optimálních podmínkách okolí. Během používání berte tyto údaje v úvahu. Pokud byl tento invalidní vozík upraven, poškozen nebo došlo k jeho velkému opotřebení, nebudou tyto hodnoty platné.

Tabulka 1: Technické údaje

<b>Značka</b>	<b>Vermeiren</b>
<b>Typ</b>	<b>Ruční invalidní vozík</b>
<b>Model</b>	<b>Bobby</b>



Popis	Technické údaje	
Max. hmotnost uživatele	115 kg	
Celková délka s nožní opěrkou	950 mm	
Efektivní šířka sedadla	420 mm	480 mm
Celková šířka (závisí na šířce sedadla)	575 mm	635 mm
Složená délka bez nožní opěrky	740 mm	
Složená šířka	270 mm	
Složená výška	750 mm	
Celková hmotnost	11,00 kg	11,55 kg
Hmotnost nejtěžší části	9,40 kg	9,95 kg
Hmotnosti částí, které lze demontovat či odebrat	<b>Nožní opěrky: 1,60 kg</b>	
Statická stabilita, svah dolů	10°	
Statická stabilita, svah nahoru	10°	
Statická stabilita, do stran	10°	
Efektivní hloubka sedadla	420 mm	
Výška plochy sedadla u předního okraje	500 mm	
Úhel sedadla	5°	
Výška opěradla	380 mm	
Úhel opěradla	5°	
Vzdálenost mezi nožní opěrkou a sedadlem	370 – 500 mm	
Úhel mezi sedadlem a nožní opěrkou	114°	
Vzdálenost mezi loketní opěrkou a sedadlem	220 mm	
Přední poloha konstrukce loketní opěrky	315 mm	
Průměr ručního ráfku	Nepoužije se	
Horizontální poloha osy (vychýlení)	21 mm	
Min. průměr otáčení	1500 mm	
Průměr zadních kol	12,5"	
Tlak pneumatik, zadní (hnací) kola	Nepoužije se	
Průměr řídicích kol	150 mm	
Tlak pneumatik, přední (řídicí) kola	Nepoužije se	
Teplota skladování a používání	+5 °C - +41 °C	
Vlhkost skladování a používání	30 % - 70 %	

**Vyhrazujeme si právo na zavádění technických změn. Tolerance měření ±15 mm / 1,5 kg / 1,5°**





## Service registration form

This product (name): .....

was inspected (I), serviced (S), repaired (R) or disinfected (D):

By (stamp):          Kind of work: I / S / R / D Date:	By (stamp):          Kind of work: I / S / R / D Date:	By (stamp):          Kind of work: I / S / R / D Date:
By (stamp):          Kind of work: I / S / R / D Date:	By (stamp):          Kind of work: I / S / R / D Date:	By (stamp):          Kind of work: I / S / R / D Date:
By (stamp):          Kind of work: I / S / R / D Date:	By (stamp):          Kind of work: I / S / R / D Date:	By (stamp):          Kind of work: I / S / R / D Date:
By (stamp):          Kind of work: I / S / R / D Date:	By (stamp):          Kind of work: I / S / R / D Date:	By (stamp):          Kind of work: I / S / R / D Date:
By (stamp):          Kind of work: I / S / R / D Date:	By (stamp):          Kind of work: I / S / R / D Date:	By (stamp):          Kind of work: I / S / R / D Date:



Vermeiren GROUP  
Vermeirenplein 1 / 15  
2920 Kalmthout  
BE

website: [www.vermeiren.com](http://www.vermeiren.com)